



Coster

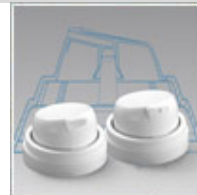
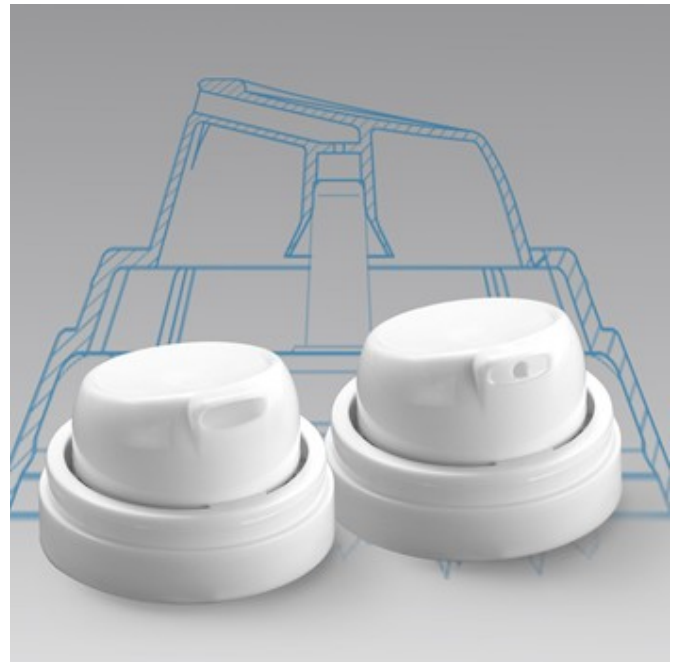
New actuator for gel and foam by Coster

Coster is delivering the new versions for foaming and gel products of its popular actuator known as "Borsalino".

V05.967 actuator for foam is suitable for press-down valves with stem \varnothing 3.9 mm and has a \varnothing 3 mm orifice equivalent.

V05.987 actuator for gel, also suitable for press-down valves with stem \varnothing 3.9 mm, has \varnothing 0.8 mm orifice.

Both are equipped with a protection overcap to avoid accidental actuation.



[Click here to visit this online at WEBpackaging](#)