

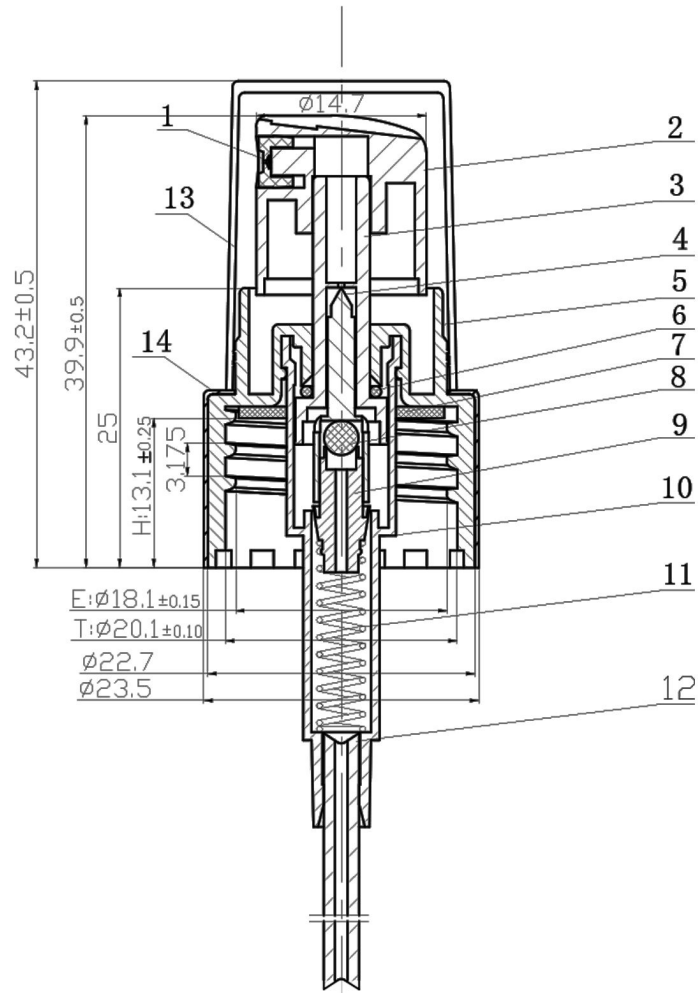


CLOSURES



BLUESKY

20/410 White Atomiser c/w Gloss Silver Collar, 135 FBOG



14	Collar	ALUMINIUM	1.42g
13	Cap	PP	1.20g
12	Dip tube	HDPE	0.37g
11	Spring	SS304	0.25g
10	Housing	PP	0.61g
9	Lower piston	LDPE	0.12g
8	Ball	GLASS	0.04g
7	Gasket	PE	0.08g
6	Gasket	RUBBER	0.03g
5	Closure	PP	2.20g
4	Stem insert	LDPE	0.16g
3	Up piston	LDPE	0.33g
2	Actuator	PP	0.75g
1	Nozzle	POM	0.04g
No	Name	Material	WEIGHT
	Name		

No Image

Bluesky Product Code	200FSWGSC-135E
Colour	N/A
Neck Size	20/410
Last Updated By	GJW - 12/01/2021