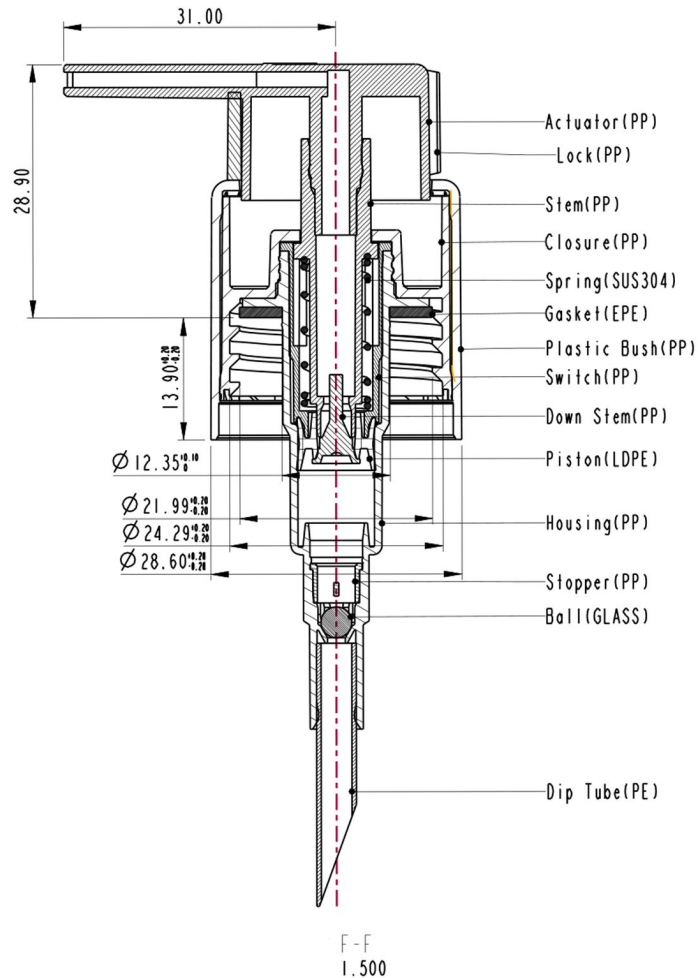


24/410 Treatment Pump, Long Actuator T-Clip, Dip tube 187mm FBOG



Note:  
I. Dosage: 0.5ml

Bluesky Product Code	240TPXLA-187E
Colour	N/A
Dosage	0.5ml
Neck Size	24/410
Last Updated By	GJW - 01/06/2021