

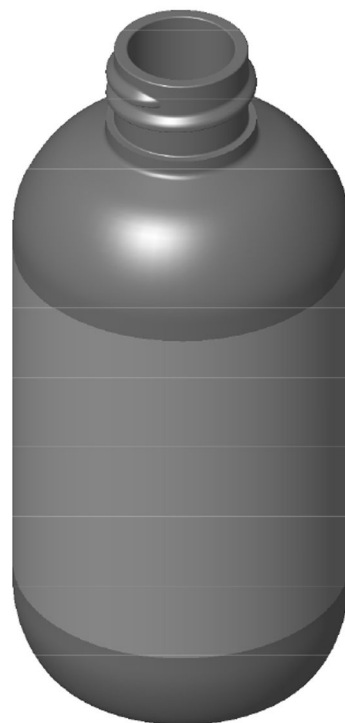
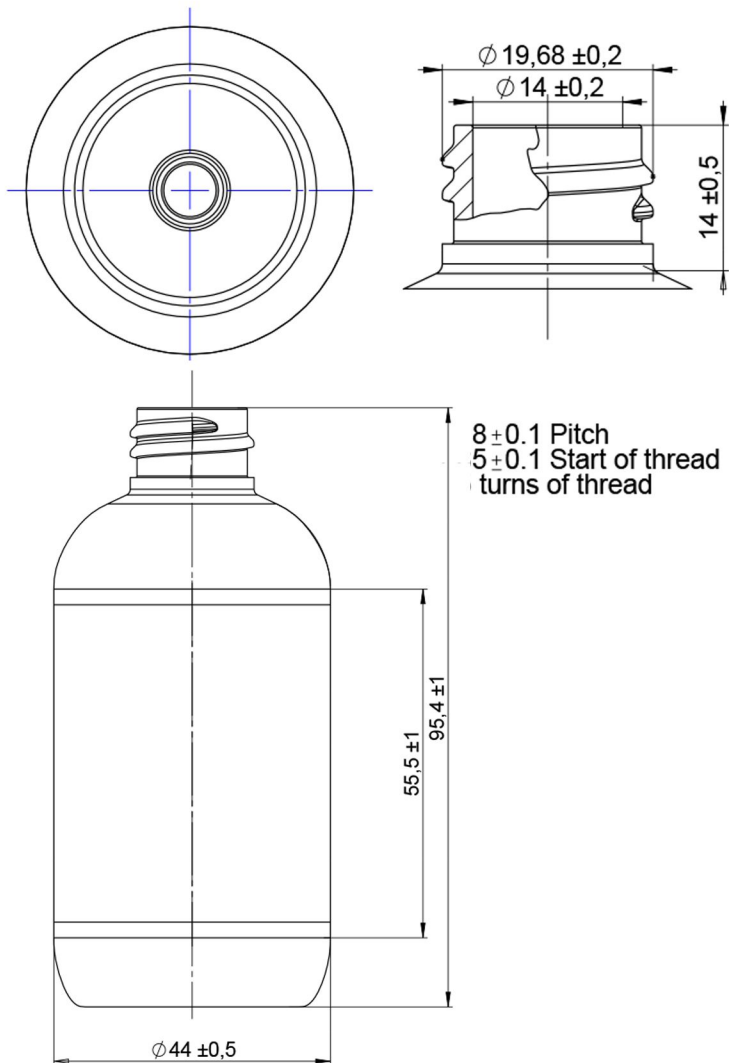


SKYPET



BLUESKY

100ml Clear PET Boston Round, 20/410 Neck



Name: BU 625A			
Content	100 ml	Scale: 3:2	Size: A3
Content (brimful)	110 ± 4 ml	Author	G.Zalejko
Material	PET	Approved	Date: 09.05.2011
Weight	11 ± 1g	P.W.Masterchem S.J	
Neck	20/410	ul.22-go Lipca 86D 66-015 Przylep	
Thread	-		

No Image

Bluesky Product Code
 Size / Design
 Content (Brimful)
 Weight
 Neck Size
 Last Updated By

BR1001CT-FP
 100ml
 110ml ± 4ml
 11g ± 1g
 20/410
 GJW - 15/12/2020