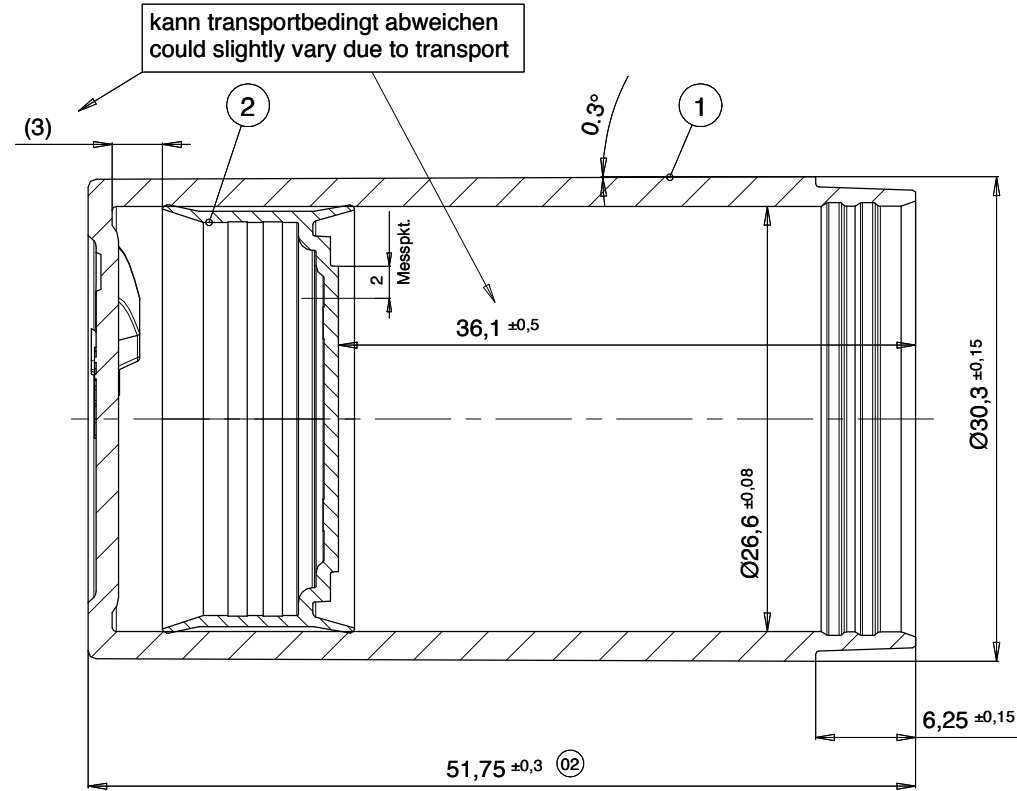
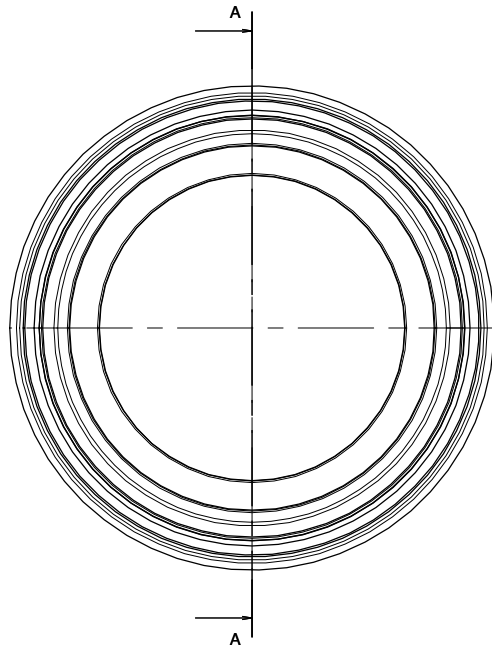


© All rights remain with MegaPlast GmbH, also in the case of patent application. Power of disposition as well as copy- and handling-over rights remain with us.
 © Alle Rechte bei MegaPlast GmbH, auch fuer den Fall von Schutzrechtsanmeldungen. Jede Veruegungsbefugnis, wie Kopier- und Weitergaberecht bei uns.

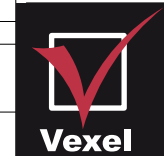


Unterliegt nicht dem Aenderungsdienst
 DRAWING IS NOT SUBJECT
 TO AUTOMATIC UP-DATING

| Pos. | n | Beschreibung | Description | Item_No. | Code |
|------|---|-----------------------------------|------------------------------------|-----------|------------|
| 2 | 1 | Kolben 1501, rund | Piston 1501, round | AA00 1501 | |
| 1 | 1 | Container ZAA-0B02 G, rund - 15ml | Container ZAA-0B02 G, round - 15ml | AA0B 1402 | ZAA-0B02 G |

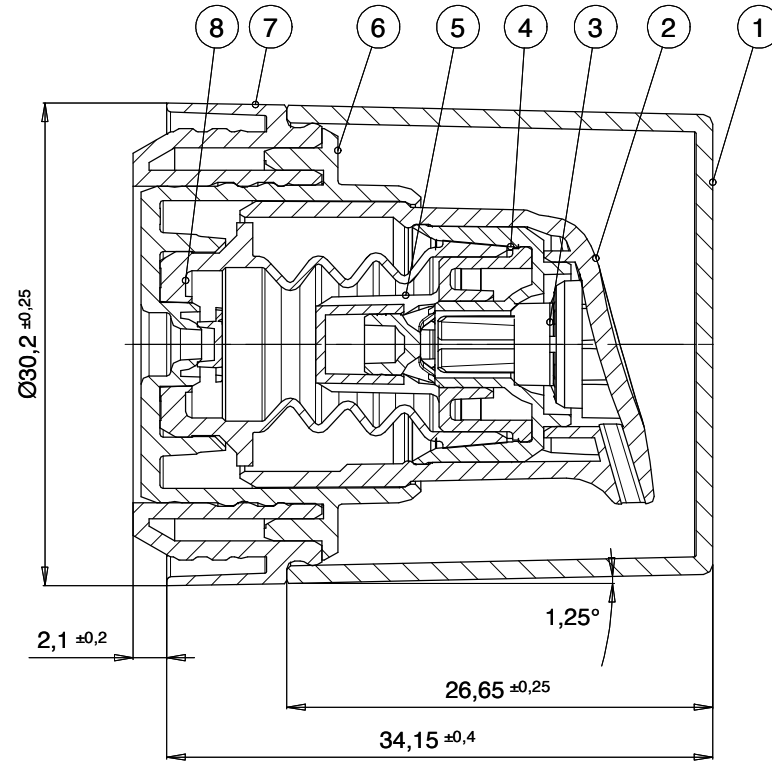
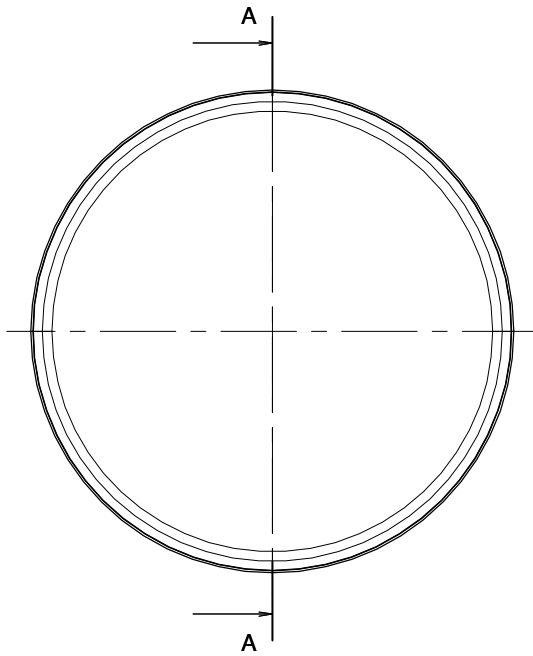
| | |
|-----------------|------------|
| DIN 16901 - 130 | |
| Erstellt: | 22.01.2008 |
| Freigabe: | 08.04.2011 |
| Datum | Name |
| 22.01.2008 | KH |
| 08.04.2011 | UK |

| | |
|----------------------------------|-------------------|
| Micro | Maßstab 3:1 (-/-) |
| Container ZAA-0B G, rund - 15ml | |
| Container ZAA-0B G, round - 15ml | |
| Teilenr. AA0B AA30 | Code ZAA-0B G |



AENDERUNGEN VORBEHALTEN (We reserve the right for technical improvement and modifications.)

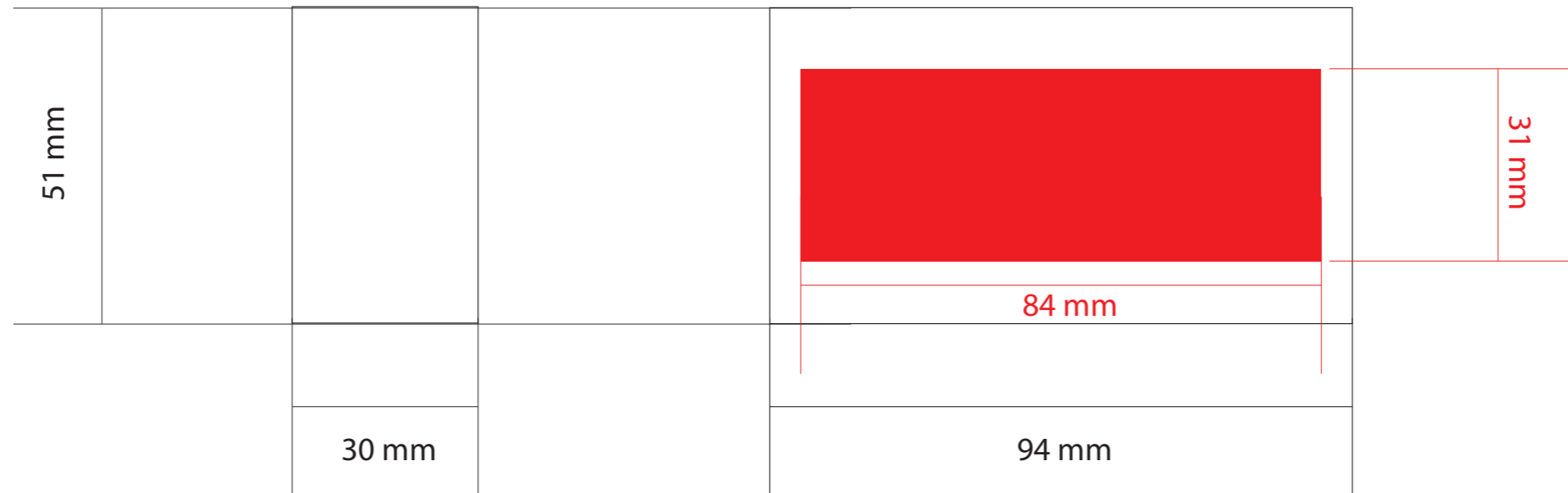
© All rights remain with MegaPlast GmbH, also in the case of patent application. Power of disposition as well as copy- and handling-over rights remain with us.
 © Alle Rechte bei MegaPlast GmbH, auch fuer den Fall von Schutzrechtsanmeldungen. Jede Veruegungsbefugnis, wie Kopier- und Weitergaberecht bei uns.




Unterliegt nicht dem Aenderungsdienst
 DRAWING IS NOT SUBJECT
 TO AUTOMATIC UP-DATING

| | | | | | |
|------|---|-----------------------------|---------------------------|-----------|----------|
| 8 | 1 | Balg 1804 - 0.3ml | Bellow 1804 - 0.3ml | 7000 1804 | B70-04 |
| 7 | 1 | Adaptorausenteil 2303, rund | Adapter outer 2303, round | AA00 2303 | SAA-03 G |
| 6 | 1 | Adapterinnenteil 2301, rund | Adapter inner 2301, round | AA00 2301 | |
| 5 | 1 | Reduzierstopfen 1906 | Reduction plug 1906 | 7000 1906 | |
| 4 | 1 | Kopfinnenteil 1301 | Actuator inner 1301 | A000 1301 | |
| 3 | 1 | Weichventil | Upper valve | 4050 401 | |
| 2 | 1 | Kopfteil 1227 | Actuator outer 1227 | A000 1227 | AA0-01 G |
| 1 | 1 | Kappe 1129 | Cap 1129 | AA00 1129 | CAA-32 M |
| Pos. | n | Beschreibung | Description | Item_No. | Code |

| | | | | |
|-----------------|------------|-------|---|-------------------|
| DIN 16901 - 130 | | | Micro | Maßstab 3:1 (-:-) |
| | | | Pumpe, rund | |
| | | | Pump, round | |
| | | | Teilenr. AA00 CD27 29 | Code |
| | | | Vexel | |
| | | | AENDERUNGEN VORBEHALTEN (We reserve the right for technical improvement and modifications.) | |
| | | Datum | Name | |
| Erstellt: | 18.11.2010 | KH | | |
| Freigabe: | 08.03.2011 | UK | | |



| | |
|---|---|
| DATA: 15/03/2012 |  Vexel |
| CODICE LD: 327-AS25 | |
| CODICE CLIENTE: | |
| CLIENTE: Vexel | |
| PRODOTTO: Flacone AIRLESS MICRO ROUND 15 ml | |
| COLORE PRODOTTO: - | |
| VARIANTE: - | |
| COLORI STAMPA: - | |
| TECNICA STAMPA: Serigrafia | |
| NOTE: Area Serigrafabile | |