



Verve



# APOTECA

Apoteca pill containers in PET or R-PET are available in 100ml and 150ml formats. This line features an anti-tampering flip top cap.

AVAILABLE IN TRANSPARENT OR AMBER



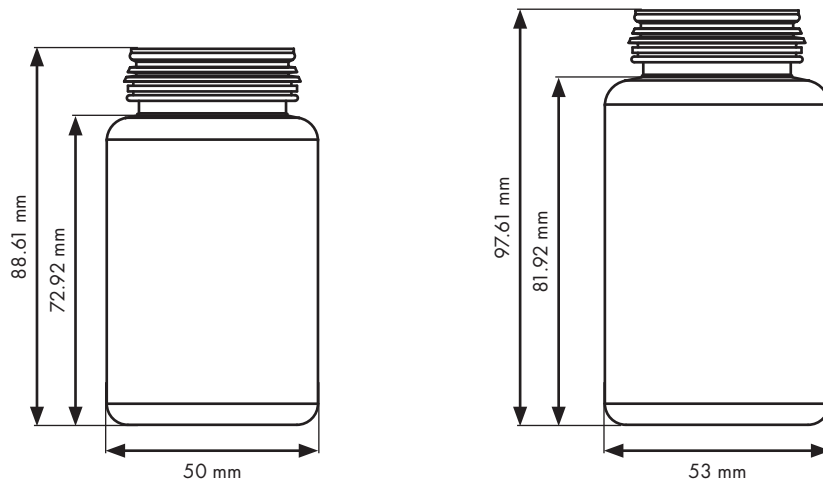
100 ml

150 ml



## AUGMENTED REALITY

Scan this QR CODE with your enabled smartphone or tablet and view these products in AR



## TECHNICAL INFORMATION

**CODE:** F-0737-00

**SIZE:**  
100 ml

**MATERIAL:**  
PET, R-PET

**NECK:**  
Special neck

**SECTION:**  
Circular

**WIDTH:**  
50 mm

**HEIGHT:**  
88.6 mm

**WEIGHT:**  
19 g

**FOOD GRADE:**  
Yes

**DECORATIONS:**  
Silk screen printing, Hot stamp printing

**CODE:** F-0738-00

**SIZE:**  
150 ml

**MATERIAL:**  
PET, R-PET

**NECK:**  
Special neck

**SECTION:**  
Circular

**WIDTH:**  
53 mm

**HEIGHT:**  
97.6 mm

**WEIGHT:**  
21 g

**FOOD GRADE:**  
Yes

**DECORATIONS:**  
Silk screen printing, Hot stamp printing

## ACCESSORIES



**ANTI-TAMPERING FLIP TOP CAP**



**Verve**

**VERVE SPA**

Via Venegono, 57  
21040 Veduggio Olona (VA), Italia  
Telefono: +39 0332 400497  
Fax: +39 0332 401465

[www.vervespa.it](http://www.vervespa.it)

**induPlast**  
PACKAGING GROUP



[www.induplastgroup.com](http://www.induplastgroup.com)