

Pneumatic Oscillating Tool - POT

The powerful Pneumatic Oscillating Tool is designed for cutting dense, challenging materials.

As the name implies, the Pneumatic Oscillating Tool is an air-driven tool. It is particularly well suited for cutting tough, dense, often multi-layered materials but can also handle soft, thicker ones. The use of air pressure combined with an 8mm stroke makes the POT an exceptionally powerful tool.

Perfect applications for the POT include le-

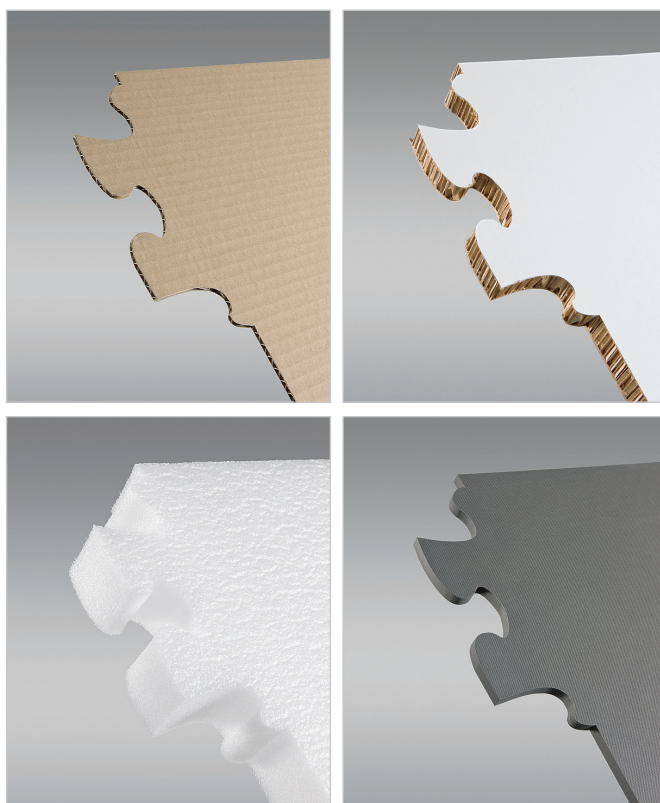
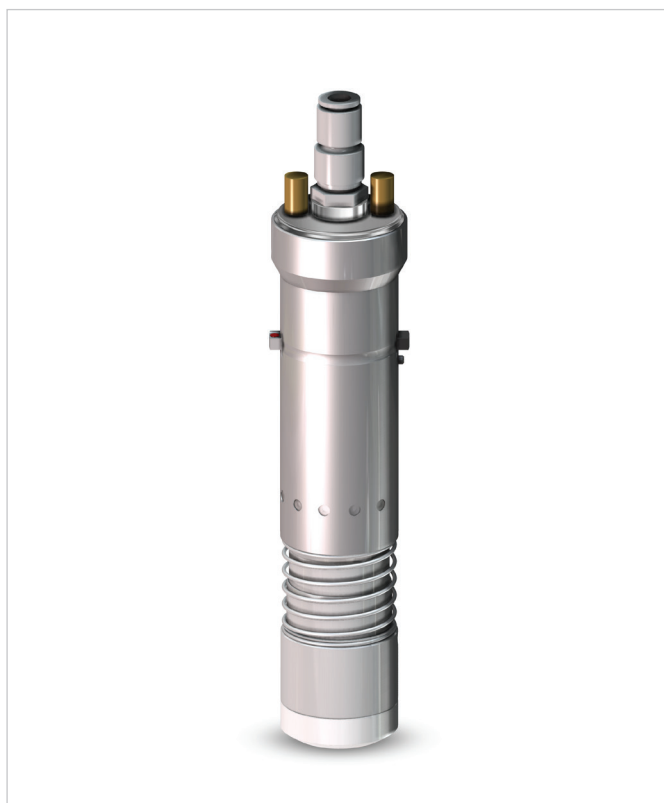
ather hides, pelts, felt, or corrugated cardboard. It is equally effective in specialty applications such as multi-layered fabric cutting or processing rubber and foam materials.

The many uses of this tool are enhanced even further by the wide range of available oscillating blades. Depending on the applica-

tion, the POT can accommodate 0.6 mm or 1.5 mm thick knives.

On G3 machines, the POT with 1.5 mm blades is capable of cutting materials up to 50 mm / 2 in thick.

For processing thinner, more delicate materials, Zünd recommends using the EOT (Electric Oscillating Tool).



Details

The POT is available for 0.6mm and/or 1.5mm thick oscillating blades.

Designed for cutting dense, tough materials.

Processing pressure up to 0.8 MPa.

Requires compressed air @ 300 - 400 l/min.

Compatible with **G3**, **S3**, **L3**.

Advantages at a glance

Wide range of applications and uses.

Compatible with variety of oscillating blades (see Zünd accessories/consumables).

Powerful air-driven tool delivers high performance.

Fully supported in Zünd Cut Center software.