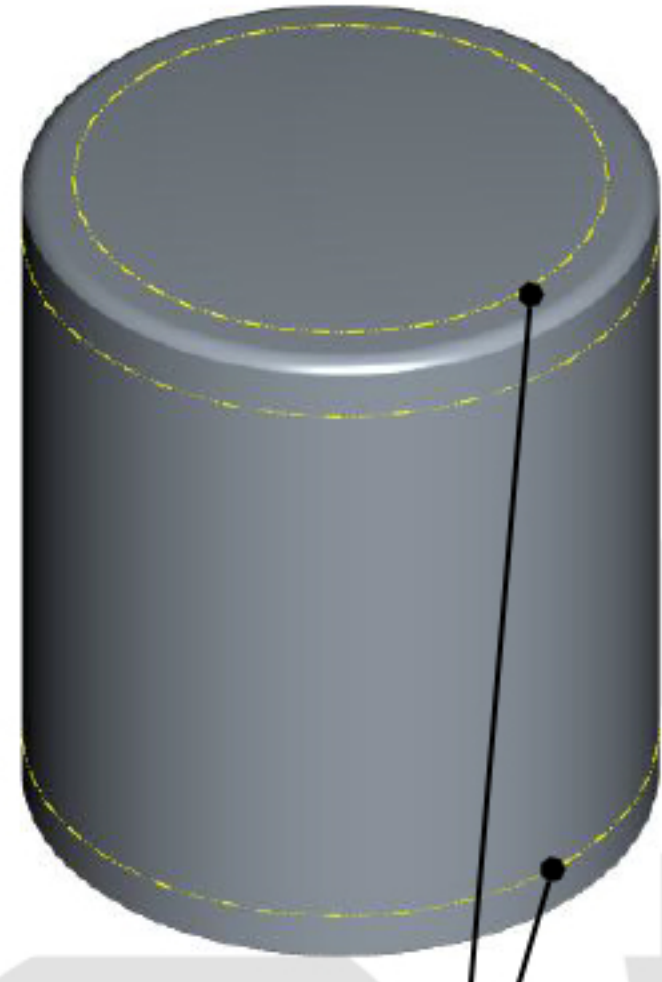
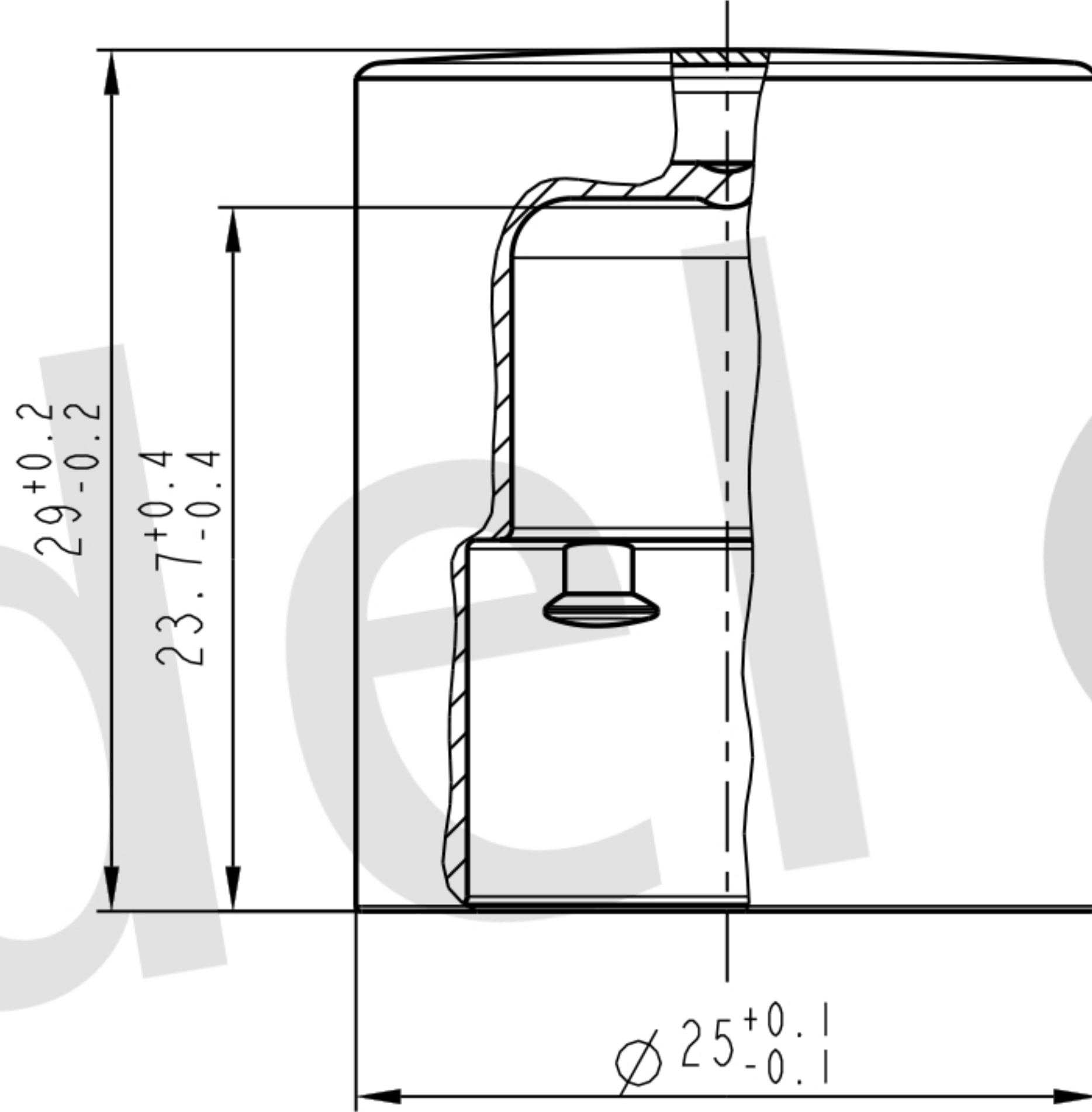


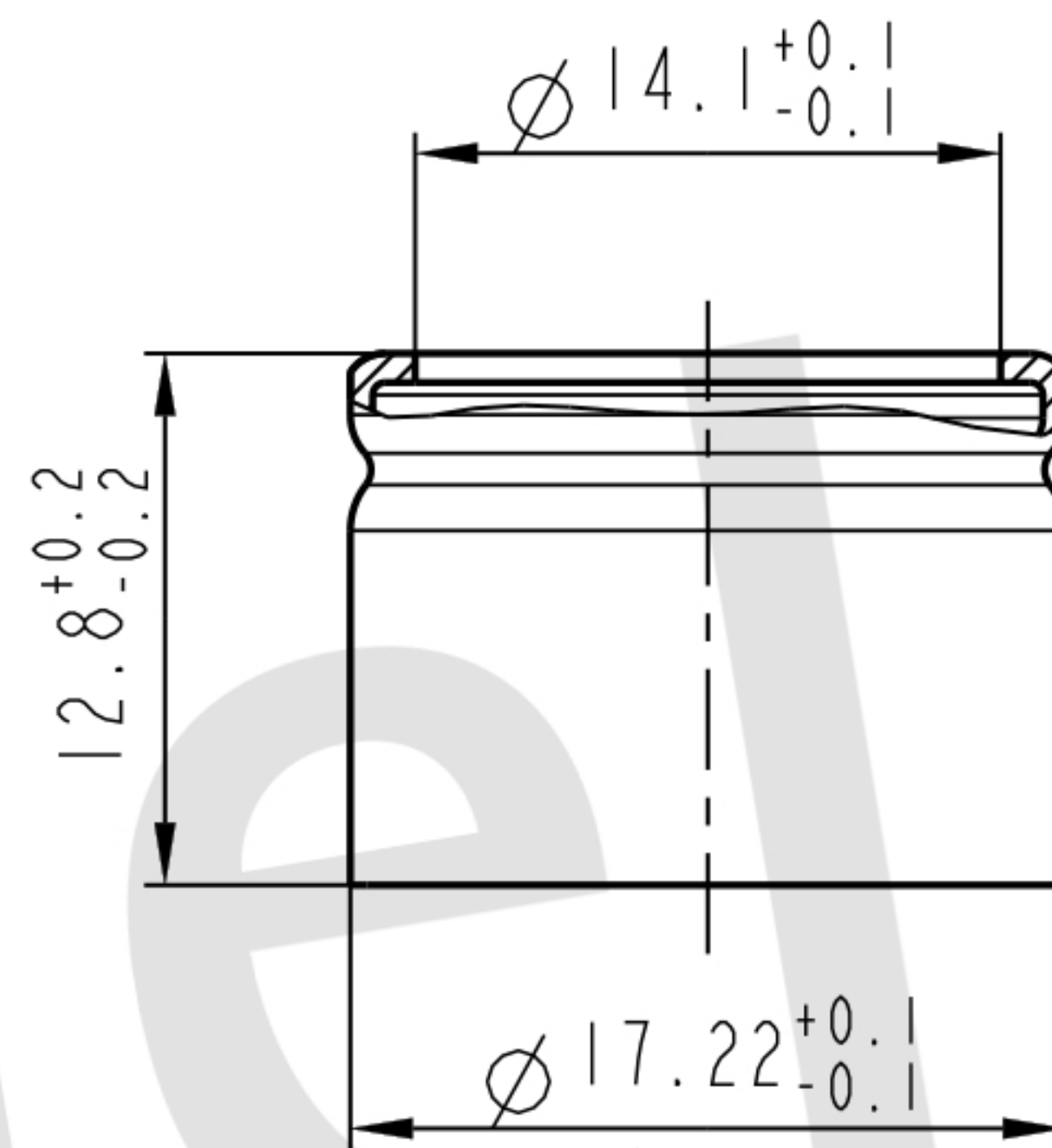
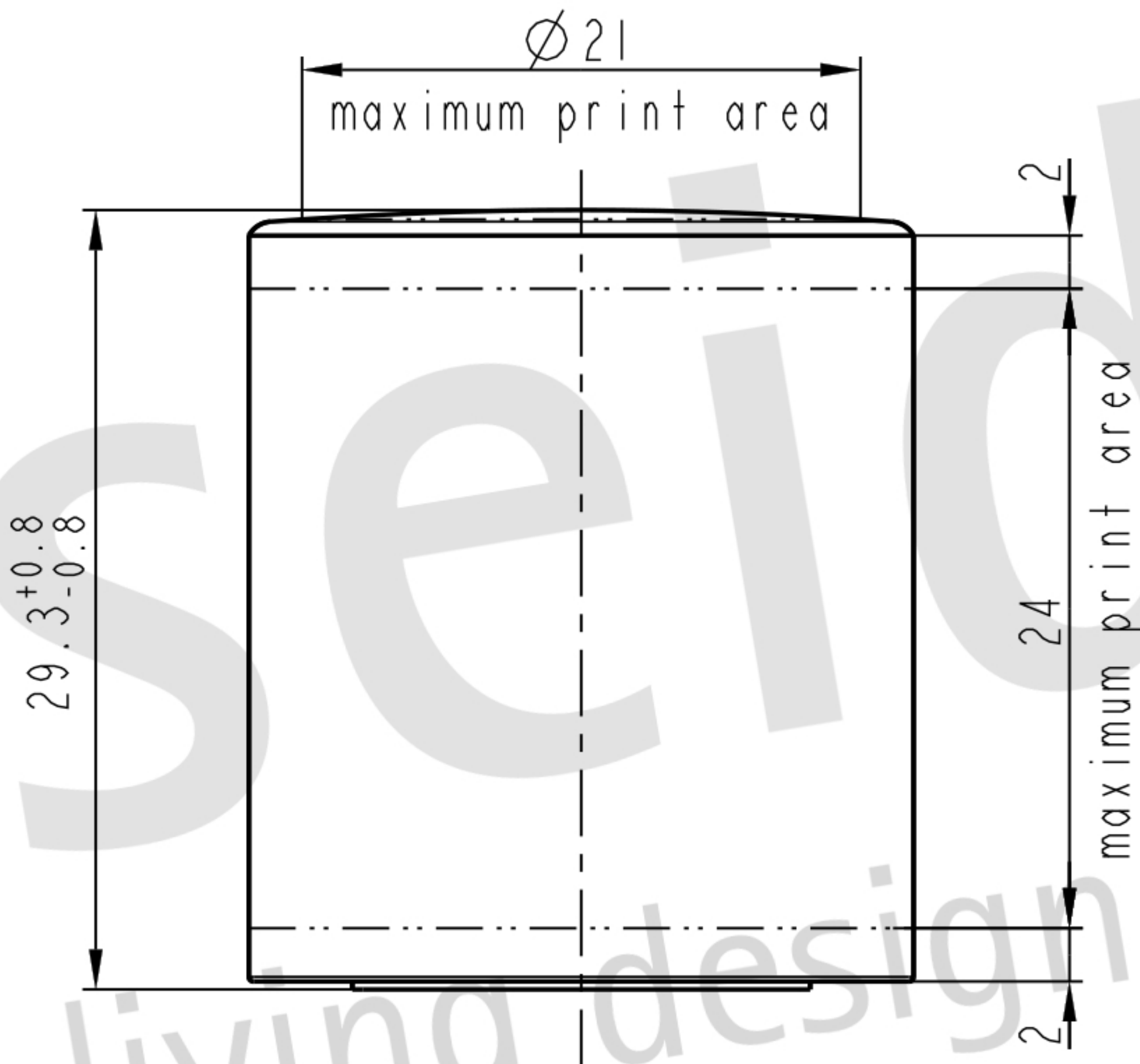
QA05



printing optionally  
according to artwork  
maximum print area



QA06



free dimensional tolerances  
DIN EN ISO 2768-2:1989-m  
dimension <math>0.5 \pm 0.1</math>