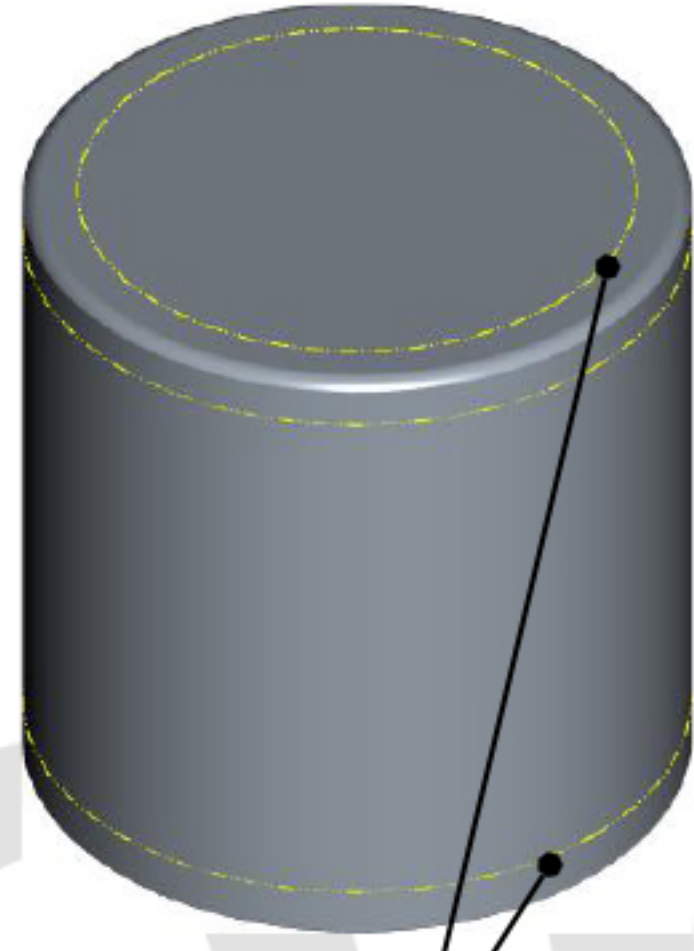
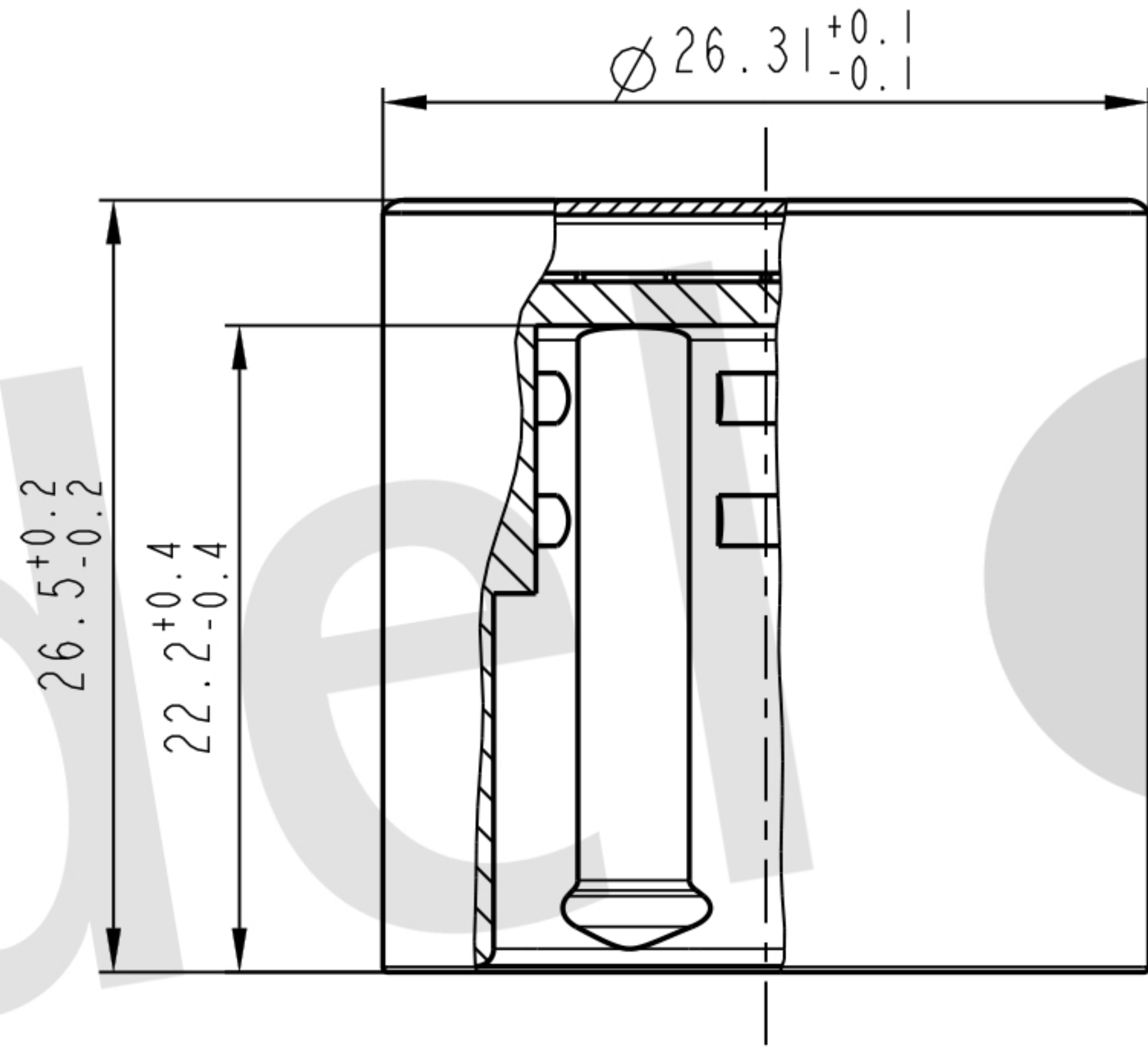


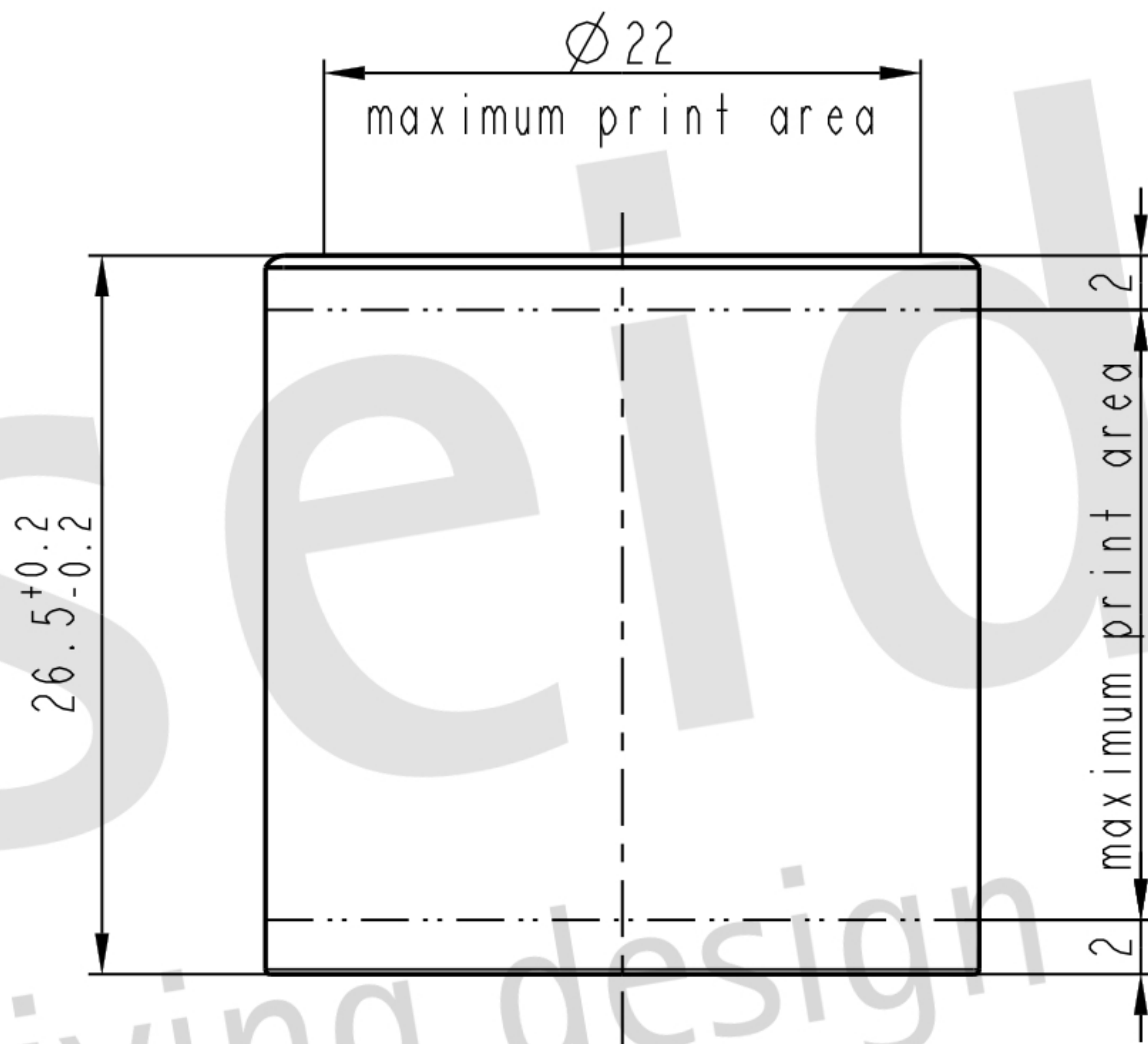
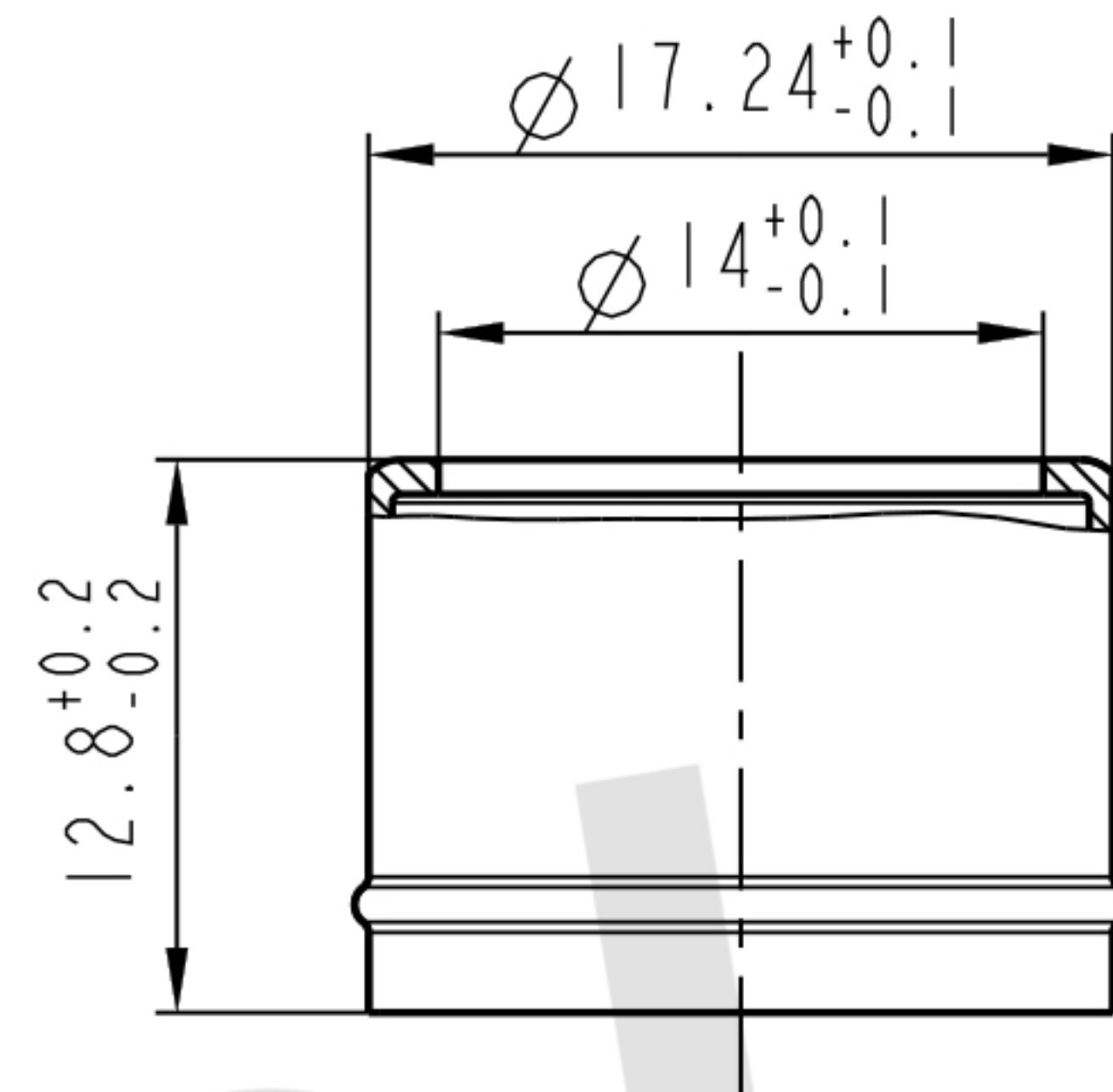
QA07



printing optionally  
according to artwork  
maximum print area



QA08



free dimensional tolerances  
DIN EN ISO 2768-2:1989-m  
dimension <math><0.5 \pm 0.1</math>