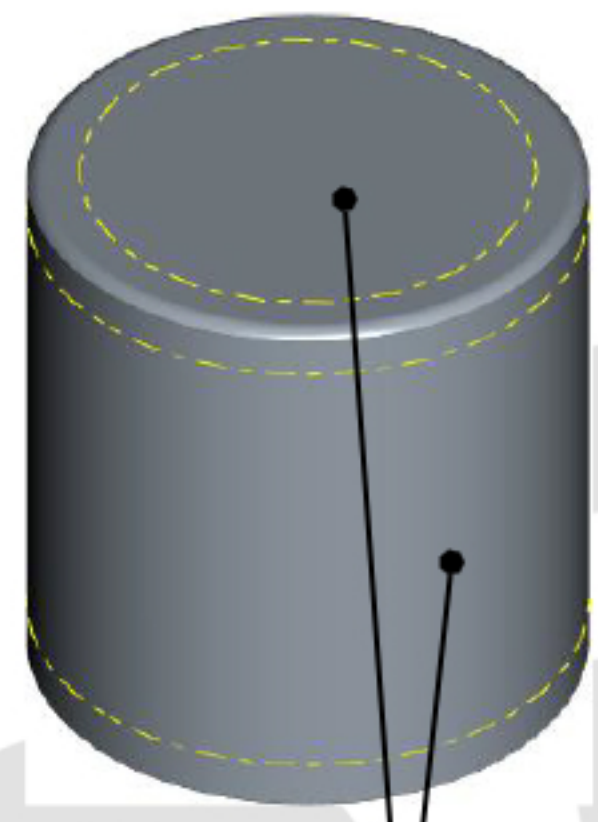
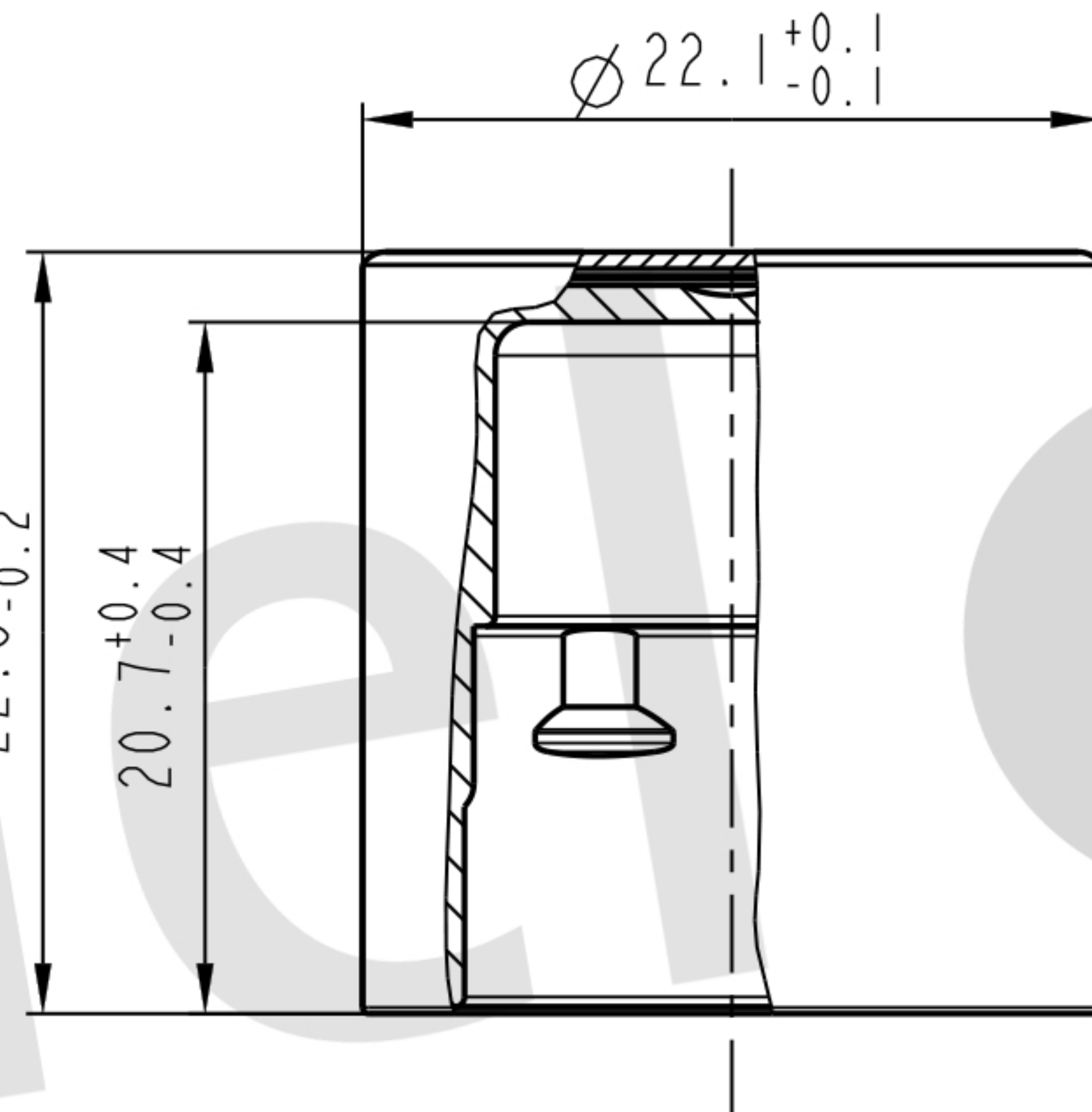


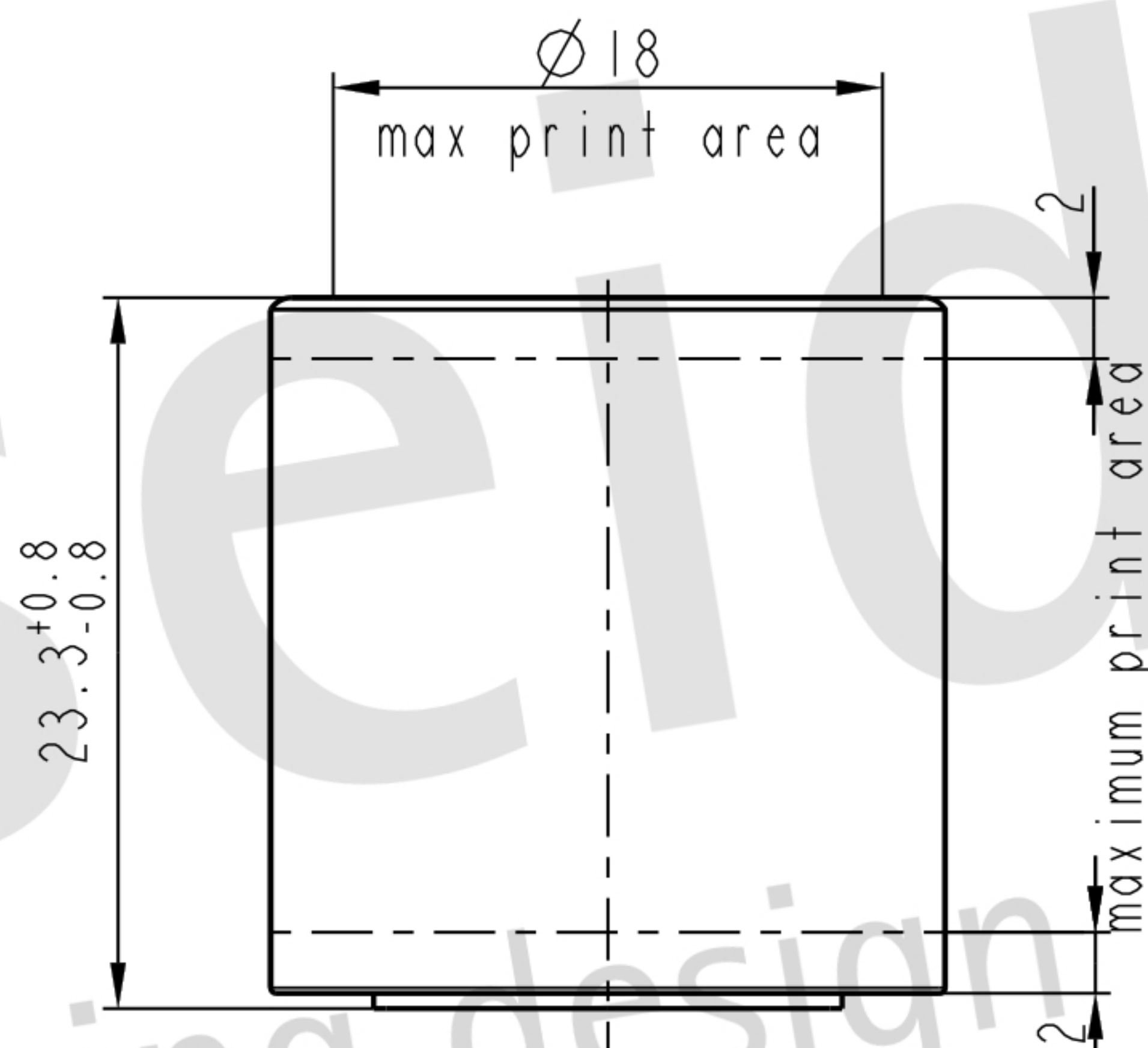
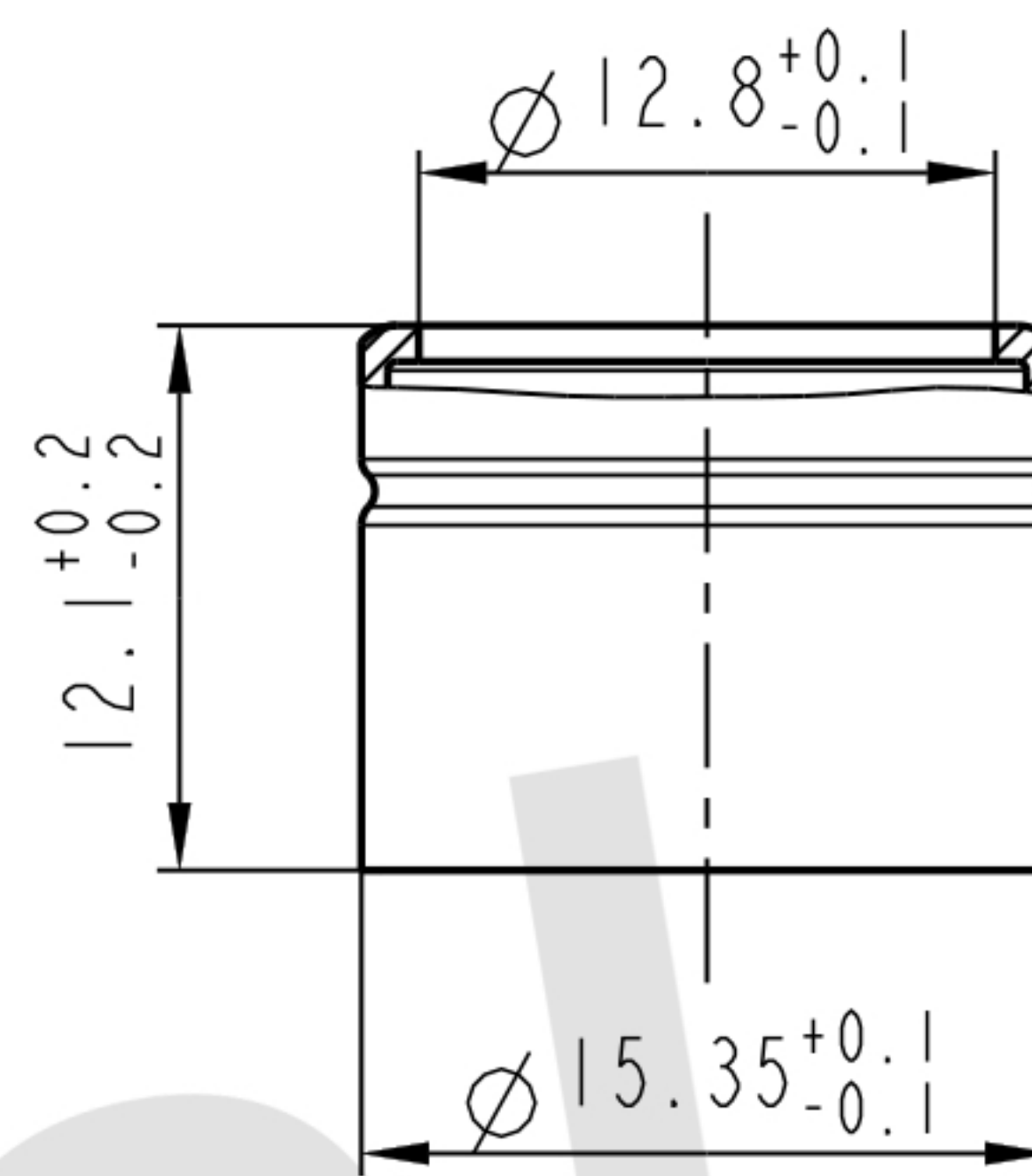
QA01



print optional  
according to artwork



QA02



free dimensional tolerances  
DIN EN ISO 2768-2:1989-m  
dimension <math><0.5 \pm 0.1</math>