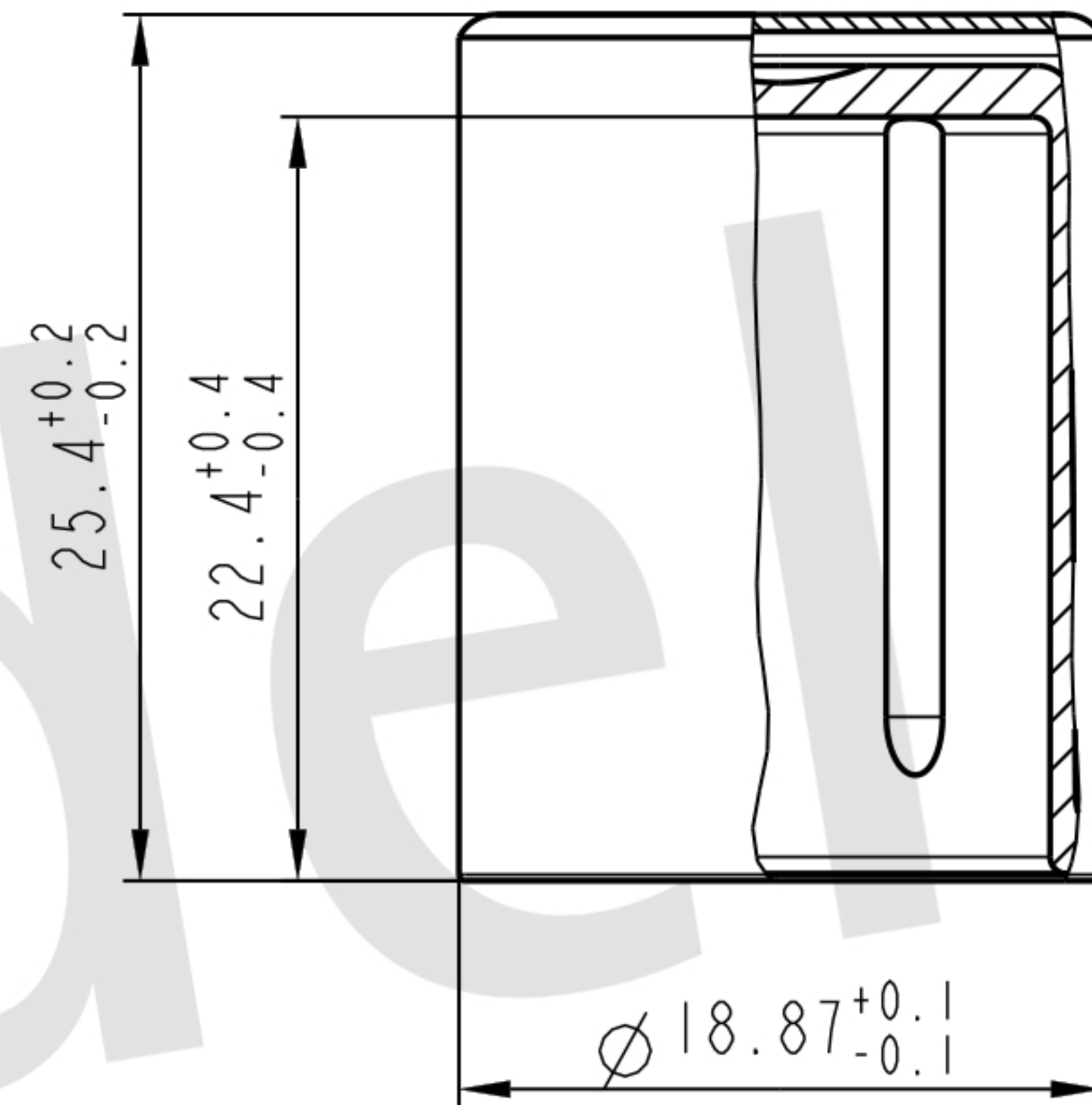
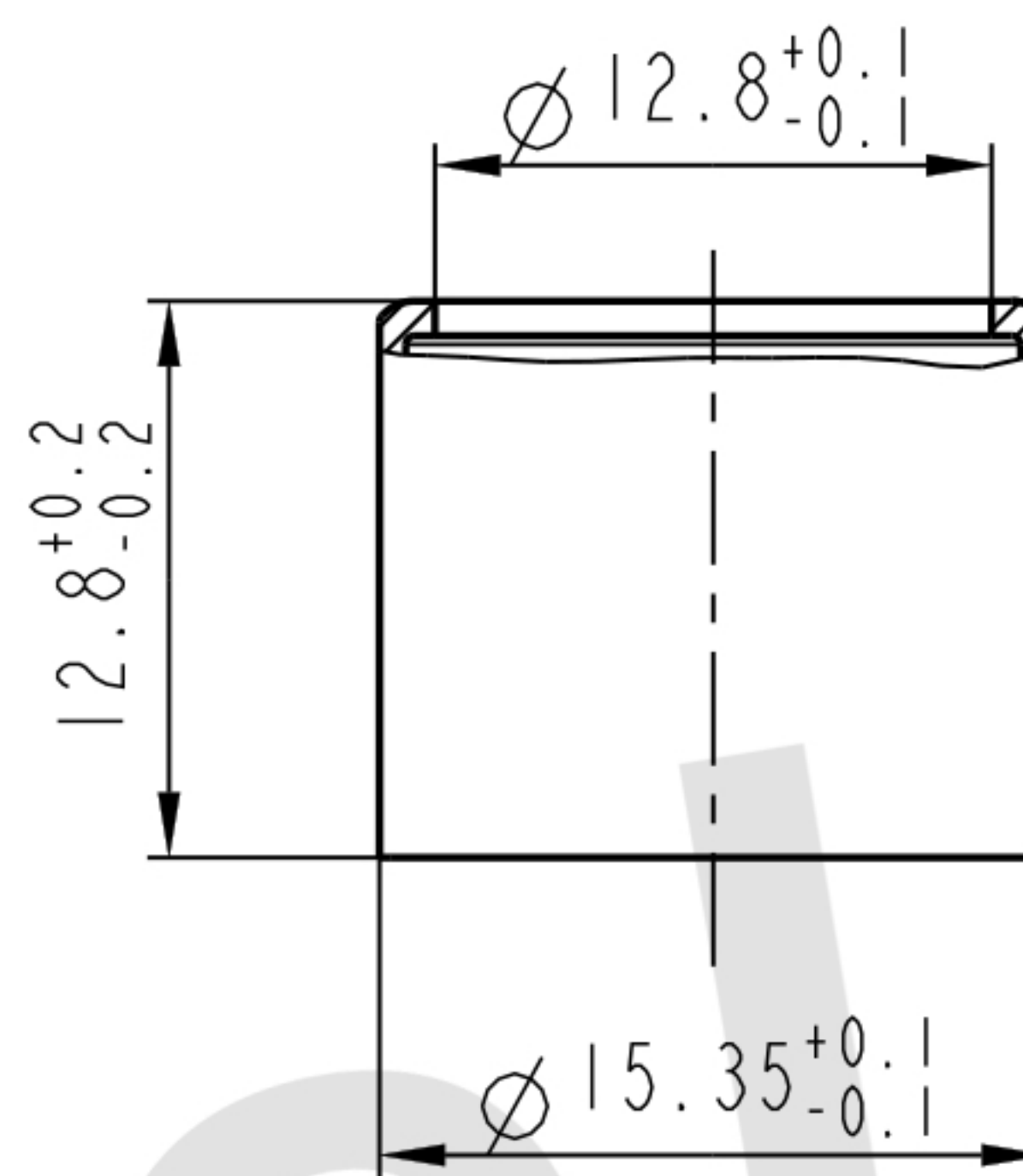


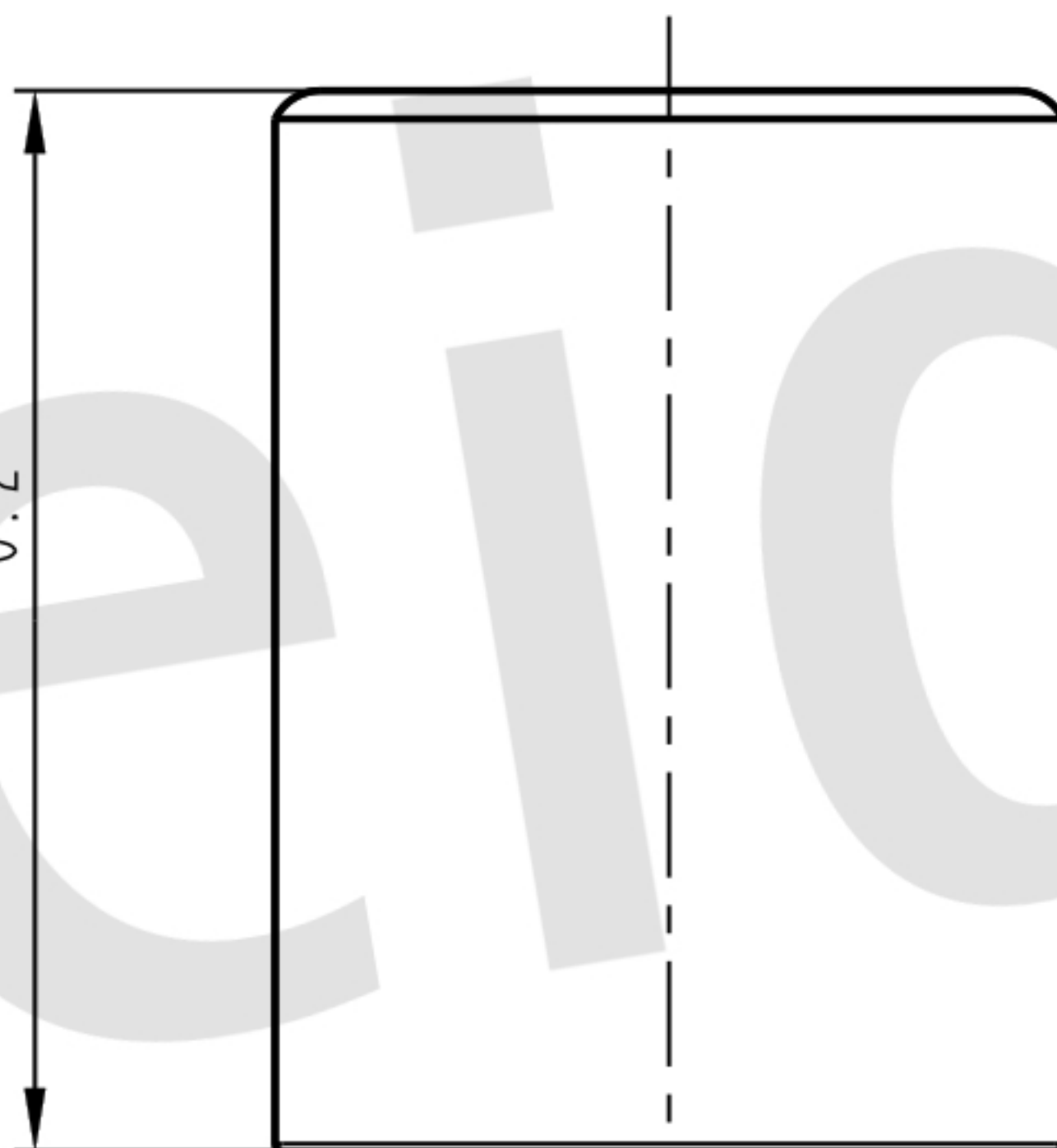
QA03



QA04



25.4^{+0.2}_{-0.2}



free dimensional tolerances
DIN EN ISO 2768-2:1989-m
dimension <0.5 ±0.1