



**Miele. Our objectives: quality and customer-directed orientation.**

**Act in advance.  
Build quality.  
Measure our strength with the customer, to meet his challenging requirements.**

Through its natural corporate evolution matured in a fifty year span of experience, **Miele** is today a strong, reliable company, in both home and foreign markets, in the packaging machines production sector.

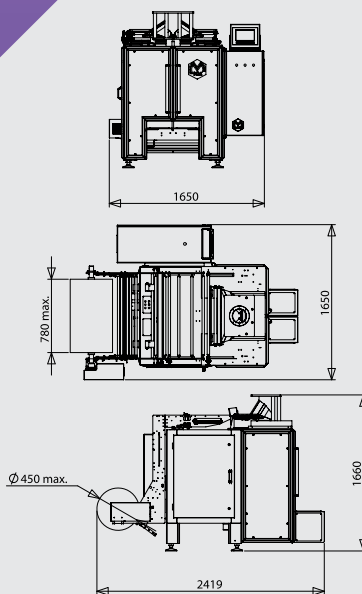
Through the compact and motivated team work of engineering experts, designers and qualified professionals, Miele plans and researches innovative technical solutions day-in day-out.

**Miele** has always had as the primary objective of its work, quality cultivated with care in every company process: from design to the finished product, from internal organisation through to sales and after-sales-services.

Through the years **Miele** has developed a strong and highly necessary customer-directed orientation. Assistance and after-sales presence make the customer Miele's privileged interlocutor, with whom to measure its strength to constantly improve the standard of its products.

Miele is committed to guaranteeing quality and on-going research, interfacing with the customers who entrust the packaging of their products to its machines.

Miele. Your challenges. Our solutions.



**Miele Olimpia 400 V Brushless packaging machine: technical data**

Standard technical data	Olimpia 400 V Brushless
Machine Height	1650 mm (1)
Machine Width	1400 mm
Machine Length	2100 mm
Additional output conveyor length (opt.)	350 mm
Unload output conveyor height (opt.)	900 mm
Horizontal jaws activation	Brushless
Draw down belts motion	Three phase motor + inverter
Electronic control	PLC Siemens
Operator panel	Display Touch Screen color TFT
Electrical power supply	3/N/PE AC 400V 50 Hz
Electrical power consumption	3 Kw
Compressed air consumption	0.9 M3/cycle
Minimum compressed air pressure	6 Bar dry air (not lubricated)
General construction	Stainless steel
Machine weight	600 kg
Minimum bag width	40 mm
Maximum bag width	390 mm
Minimum bag length	60 mm
Maximum bag length	1050 mm
Film reel minimum width	80 mm
Film reel maximum width	850 mm
Film reel maximum external diameter	450 mm
Wrapping materials	Cellophane, polypropylene, polyethylene, laminates and coupled films, microfoiled, idrosolubile, aluminium and all thermoplastic materials.

(1) To be confirmed depending on the bag size  
 (2) Cooling blower not installed  
 (3) During the heating, 1 Kw after warm up

All data in this document is subject to change without prior warning

# OLIMPIA 400 V

## BRUSHLESS



Your challenges. Our solutions.



Miele S.p.A - Via Farniole 2/a 52045 Foiano della Chiana (Ar)  
Italy - Tel. +39 0575 640444 Fax +39 0575 649073  
www.mielepackaging.it miele@mielepackaging.it

