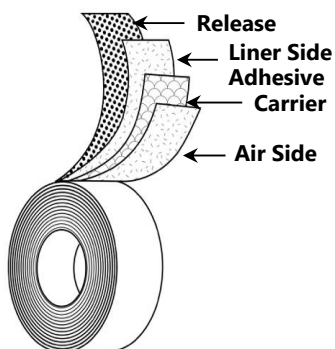


3403H-P

Double-Coated Tape



Liner: 158lb Natural PC Kraft

Liner Side Adhesive: Acrylic (I614)

Backing/Carrier: 0.5 mil Polyester Film

Air Side Adhesive: Acrylic (I605)

Applications

- Laminating paper, plastic, foam, and metal
- Removable mounting tape

Features

- PET Film Carrier
- Removable Acrylic (Liner Side Adhesive)
- Permanent Acrylic (Air Side Adhesive)
- 158lb Natural Kraft Liner

Benefits

- Support for aid in processing and application
- Conformable
- Low peel adhesive removes cleanly from most surfaces
- Good adhesion to a variety of surfaces
- Die-cuttable
- Excellent lay-flat and dimensional stability

Typical Test Values

	Standard UOM	Metric UOM	Test Method
Total Thickness w/liner	15.2 mils	0.386 mm	PSTC 133
Adhesive Thickness (Air Side)	1.7 mils	0.043 mm	PSTC 133
Adhesive Thickness (Liner Side)	1.0 mils	0.025 mm	PSTC 133
Carrier Thickness	0.5 mils	0.013 mm	PSTC 133
Liner Thickness	12.0 mils	0.305 mm	PSTC 133
Adhesion to Steel (Air Side)	60 oz/in	6.56 N/cm	PSTC 101 Mod
Adhesion to Steel (Liner Side)	30 oz/in	3.28 N/cm	PSTC 101 Mod
Shear Strength (Air Side)	100+ hours		PSTC 107
Shear Strength (Liner Side)	100+ hours		PSTC 107
Laminating Temperature	50 to 150 °F	10 to 65 °C	
Maximum Continuous Use	180 °F	82 °C	
Intermittent Use	200 °F	93 °C	

Recommended Storage Conditions: 40-60% Humidity, 60°F-80°F

The information presented herein was prepared at BERRY GLOBAL, INC. by qualified technical personnel. To Berry Global's knowledge it is true and accurate. However, the information and recommendations are furnished for these products with the understanding that the purchaser or user, as the case may be, will independently determine that the product is suitable for the intended use, and that such use complies with all applicable federal, state and local laws and regulations. The data are submitted only for the user's information and consideration, and do not constitute a warranty of any kind (including but not limited to a warranty of merchantability or of fitness for a particular purpose), or a