

STYLE No. : L509YJC-33/410A

ACTUATOR (PP)

CHAPLET (PP)

GASKET (PE)

CLOSURE (PP)

STEM (PP)

PISTON (PE)

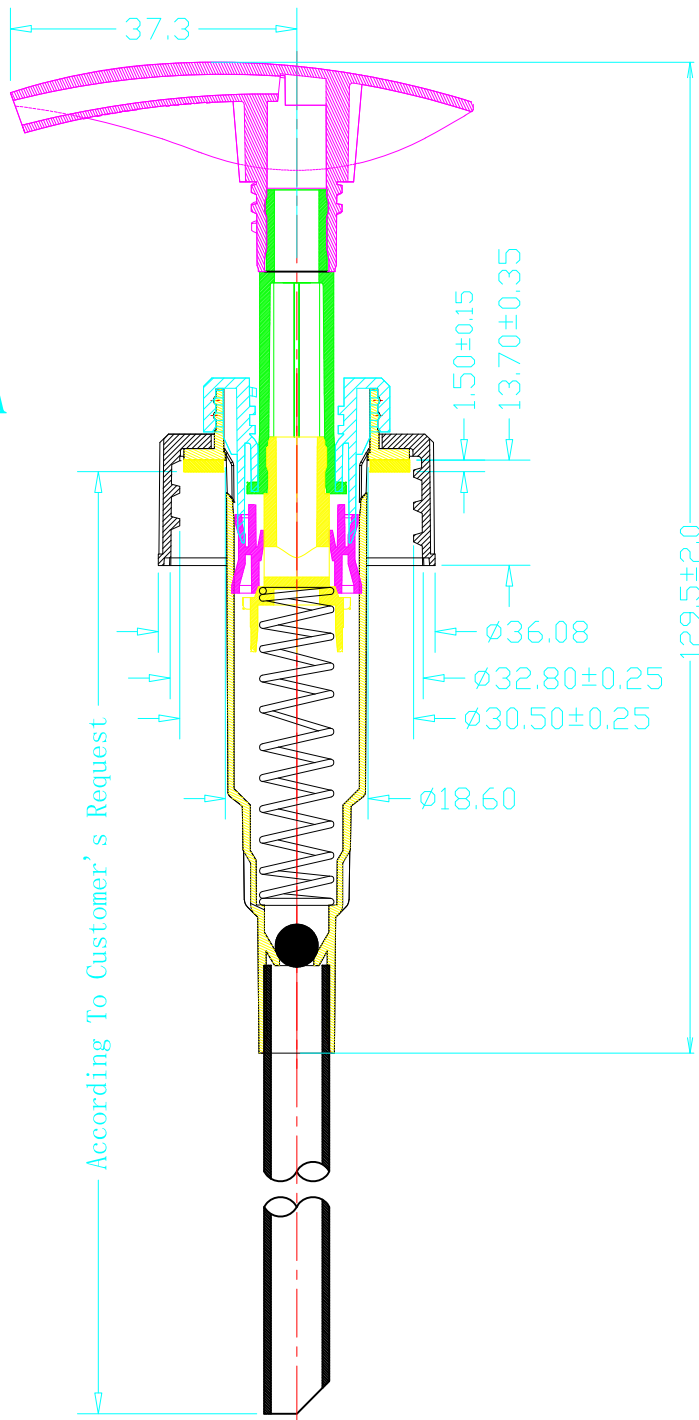
SUB-STEM (PP)

SPRING (STN STL)

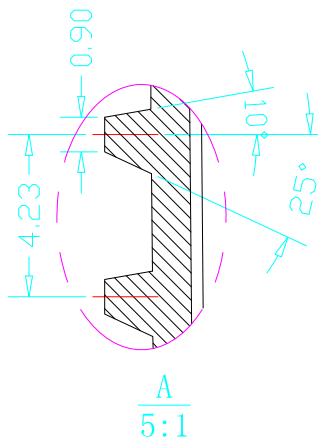
BALL (GLASS)

HOUSING (PP)

DIP TUBE (PE)



Unmarked Tolerance ±0.5mm



				All Rights Reserved			
				Item	L509YJC-33/410A	Material	
				Dwg No.	L509YJC-33/410A-A01	Version	A0
				Mould No.		Quantity	
				Drawing	E:\L509	Plastic	
				Design	ZENGQIKUN20191122	Cav	
				Adult		Unit	mm
				Approval		Rate	1:1
Marker	Before modification	After modification	Date	Approval		Visual angle	⊕
						Total	1 page(s)
						The 1st page	

由 Autodesk 教育版产品制作

由 Autodesk 教育版产品制作

CLC 联昌