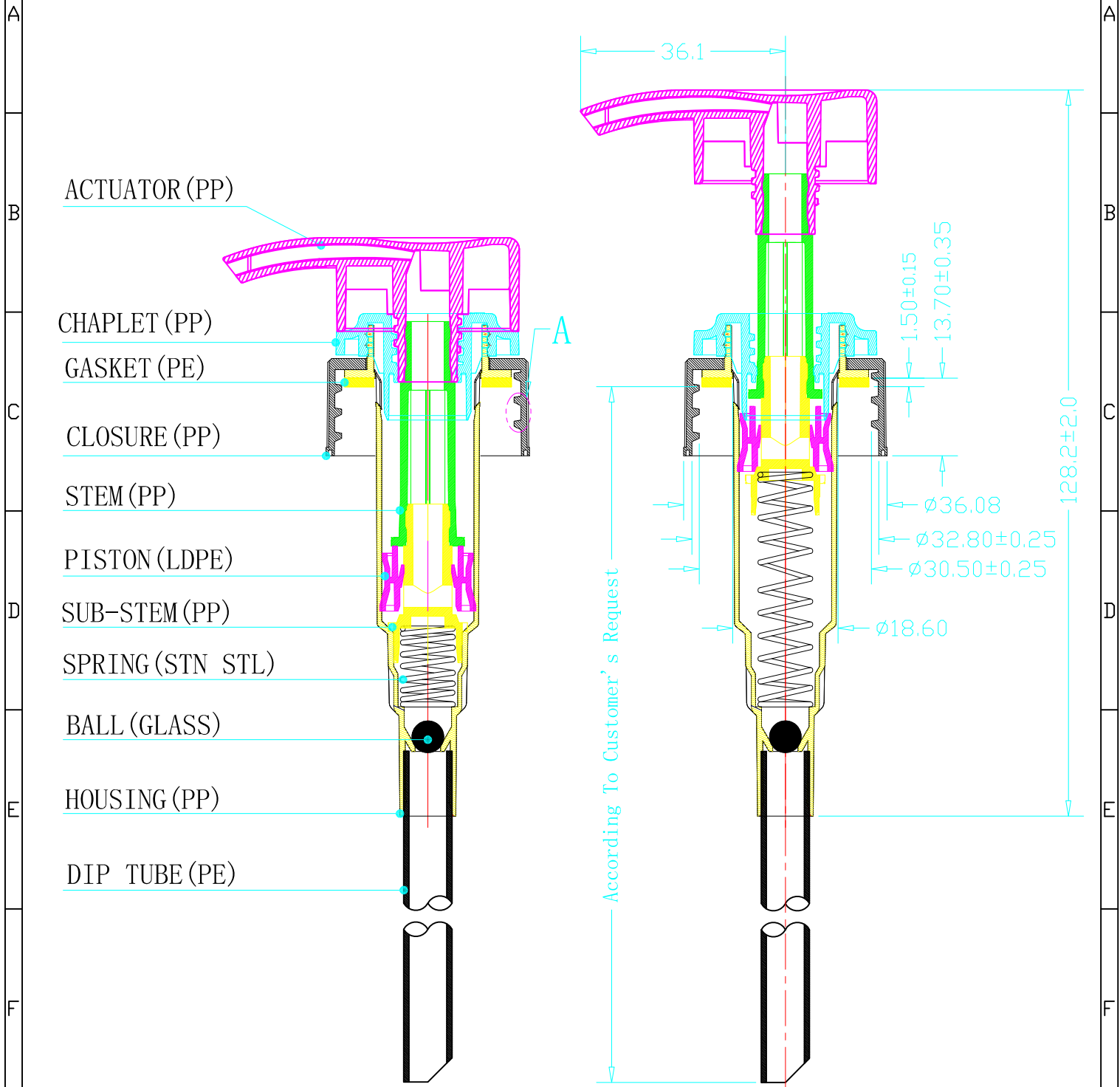
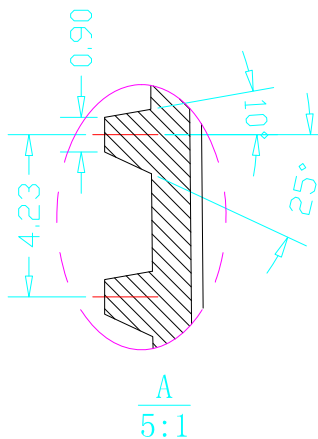


STYLE No. : L509SFV-33/410A



Unmarked Tolerance ±0.5mm



				All Rights Reserved			
				Item	L509SFV-33/410A	Material	Plastic
				Dwg No.	L509SFV-33/410A-A02	Version	A0
				Mould No.		Quantity	
				Drawing	E:\L509	Cav	
				Design	ZENGQIKUN20191122	Unit	mm
				Adult		Rate	1:1
				Approval		Visual angle	
Marker	Before modification	After modification	Date				
				Total 1 page(s)		The 1st page	

CLC 联昌