

STYLE No. : L209PBA-28/400A

ACTUATOR (PP)

CHAPLET (PP)

GASKET (PE)

CLOSURE (PP)

STEM (PP)

PISTON (PE)

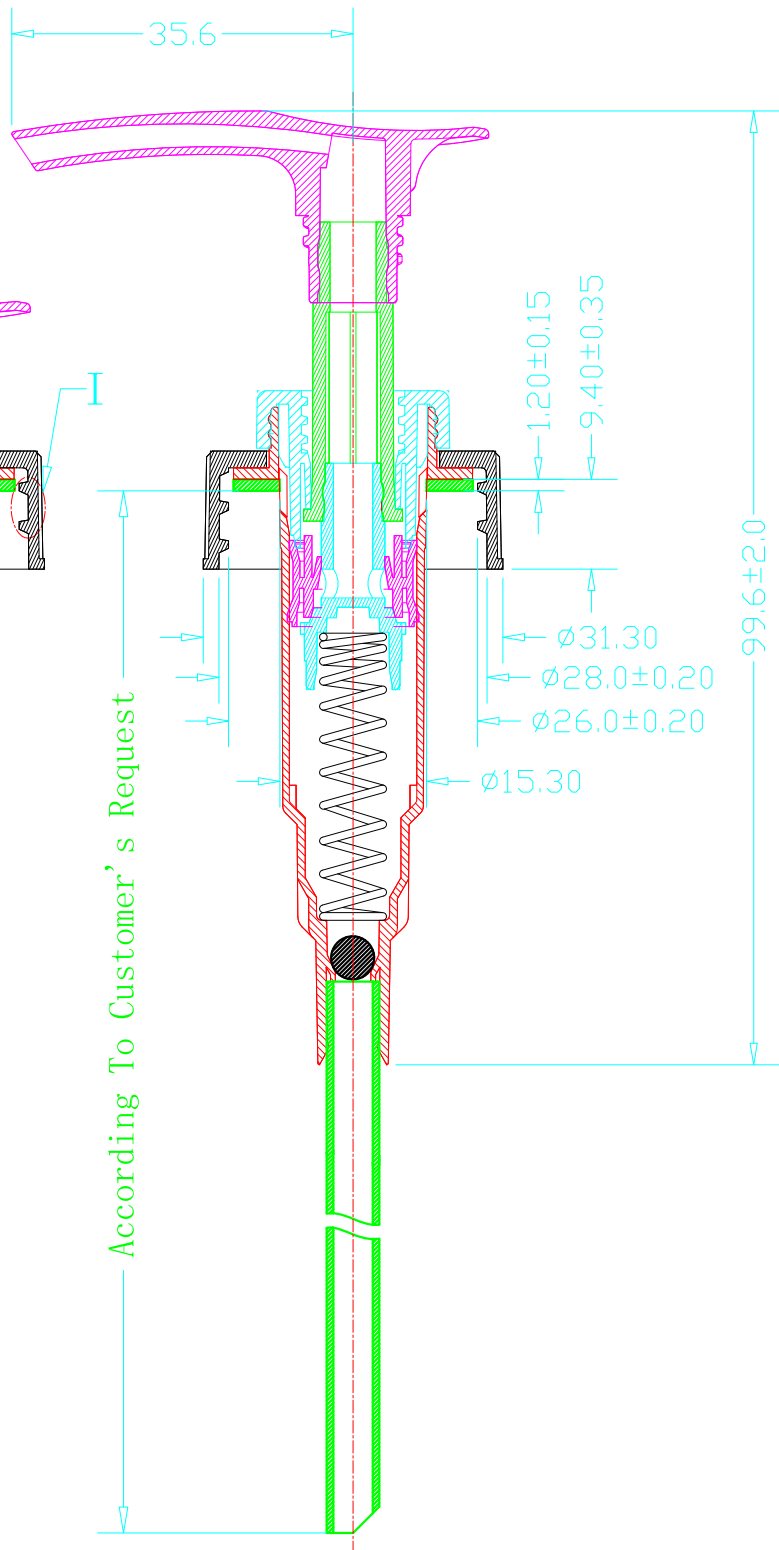
SUB-STEM (PE)

SPRING (STN STL)

BALL (GLASS)

HOUSING (PP)

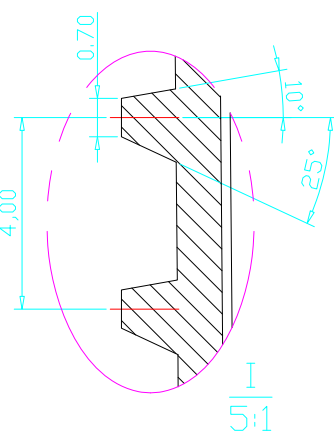
DIP TUBE (PE)



According To Customer's Request

由 Autodesk 教育版产品制作

由 Autodesk 教育版产品制作



Unmarked Tolerance ±0.5mm

				All Rights Reserved	
				Material	
				Version	A0
				Quantity	
				Plastic	
				Cav	
				Unit	mm
				Rate	1:1
				Visual angle	
Marker	Before modification	After modification	Date	Approval	Total 1 page(s)
					The 1st page

Assembly Drawing

CLC 联昌