

STYLE No. : L206KIA-24/410A

ACTUATOR (PP)

CHAPLET (PP)

GASKET (PE)

CLOSURE (PP)

STEM (PP)

PISTON (PE)

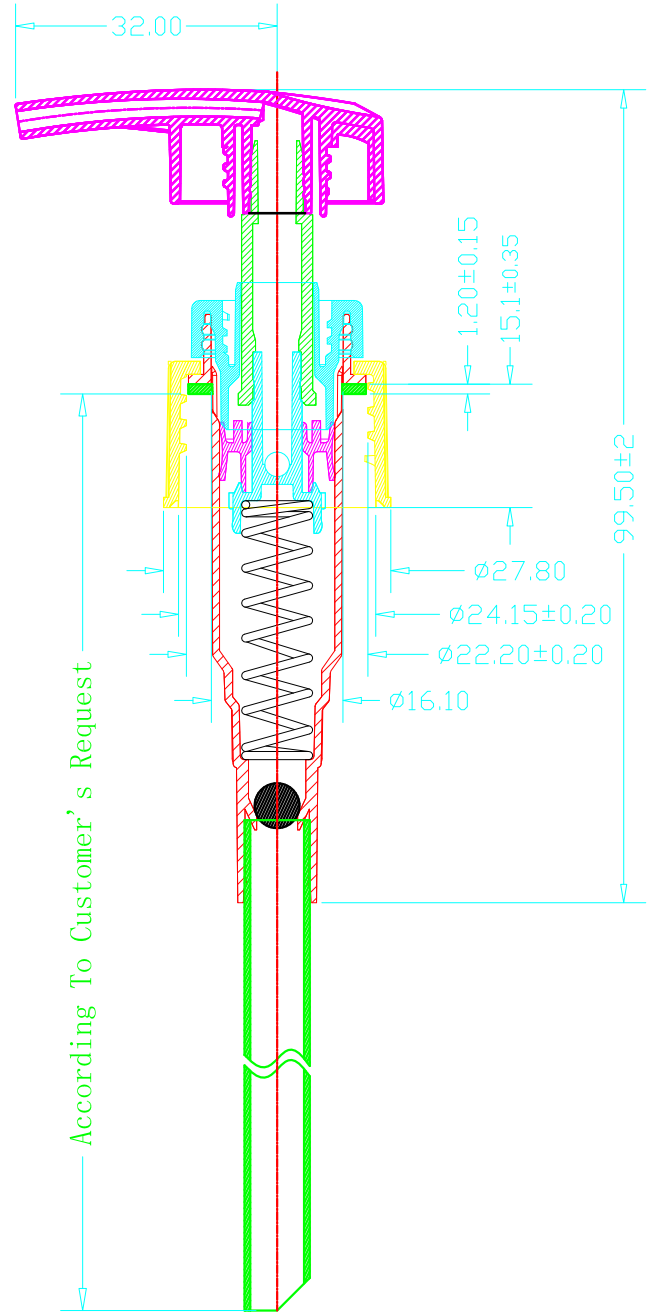
SUB-STEM (PE)

SPRING (STN STL)

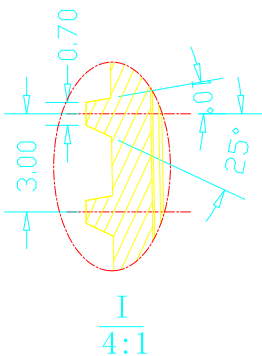
BALL (GLASS)

HOUSING (PP)

DIP TUBE (PE)



Tolerance $\pm 0.5\text{mm}$



				All Rights Reserved	
				Material	
				Version	A0
				Quantity	
				Plastic	
				Cav	
				Unit	mm
				Rate	1:1
				Visual angle	
Item	L206KIA-24/410A			Assembly Drawing	
Dwg No.	L206KIA-24/410A-A01				
ERP No.				CLC 联昌	
Drawing	E:\装配图\L206				
Design	ZENGQIKUN20191122			共 1 张 第 1 张	
Audit					
Approval					
Marker	Before modification	After modification	Date		