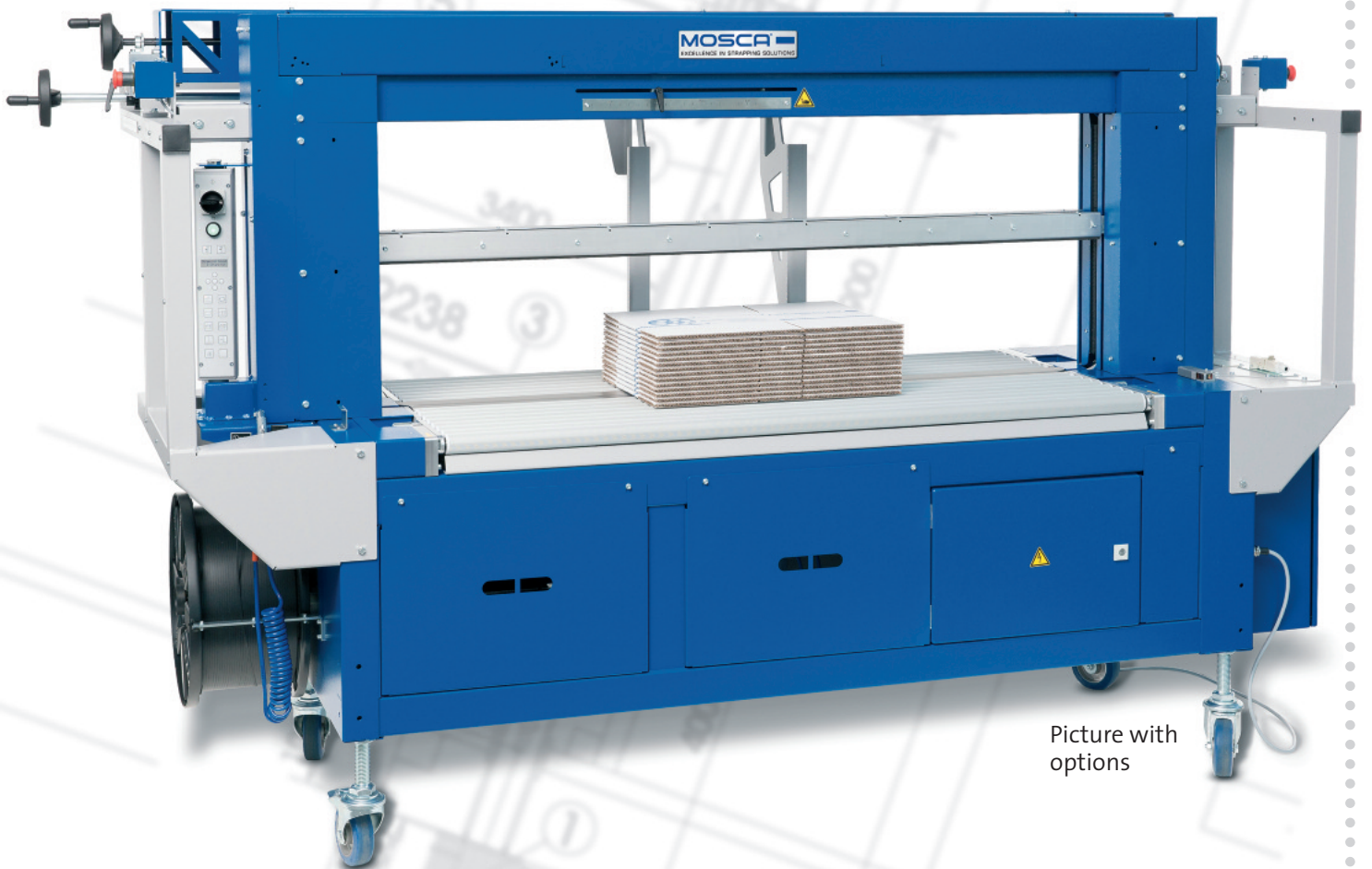


# MOSCA®

EXCELLENCE IN STRAPPING SOLUTIONS

## EVOLUTION



Picture with  
options

**SONIXs TRC-6**  
Fully Automatic Strapping Machine  
for Corrugated Cardboards

# SoniXs TRC-6

## STANDARD FEATURES

- Symmetrical design of the conveying system to the strapping level
- Easy accessibility and tool-free disassembly of strap way components
- Tool-free disassembly of roller system
- Easy operation over digital display in the control panel
- High-end Standard 6 sealing unit
- Ultrasonic sealing system with electronic self calibration
- Bundle positioning via increments by metrical input of the strapping positions
- Pneumatic hold down device with manual prepositioning
- Transport by aluminium rollers
- Safety circuit for up-stream and down-stream systems
- Open design without protective coverings – CE marking inclusive conformity declaration
- Selector switch for single, double or multiple strapping
- Quick strap coil change
- Fully automatic strap threading
- Defined strap end detection with ejection of remaining strap
- Automatic strap loop ejection when machine cycles without bundle
- Structural coating RAL 5010 gentian blue

## OPTIONS

- Traffic light warning system including low strap indication
- Special working height + 200mm
- Special coating according to RAL scale
- Pneumatic backstop with manual prepositioning
- Table extension
- Floor rails for easy movement

## TECHNICAL DATA

### PERFORMANCE:

Machine Type	TRC 125	TRC 165	TRC 220	TRC 260
Frame Size	1250x600	1650x600	2200x600	2600x600
Single strapping (up to)	38	35	31	29

### STRAPS:

Standard machine grade: 5, 6, 8, 9, 10 or 12 mm wide PP straps

### STRAP COIL DISPENSER:

Core Diameter: 200 mm  
 Core Width: 190 mm  
 Max. Outside Diameter: 430 mm

### ELECTRICITY:

Network data: 100 – 240 V,  
 50/60 Hz, 1 PH\*

Power Consumption: approx. 0.4 kW

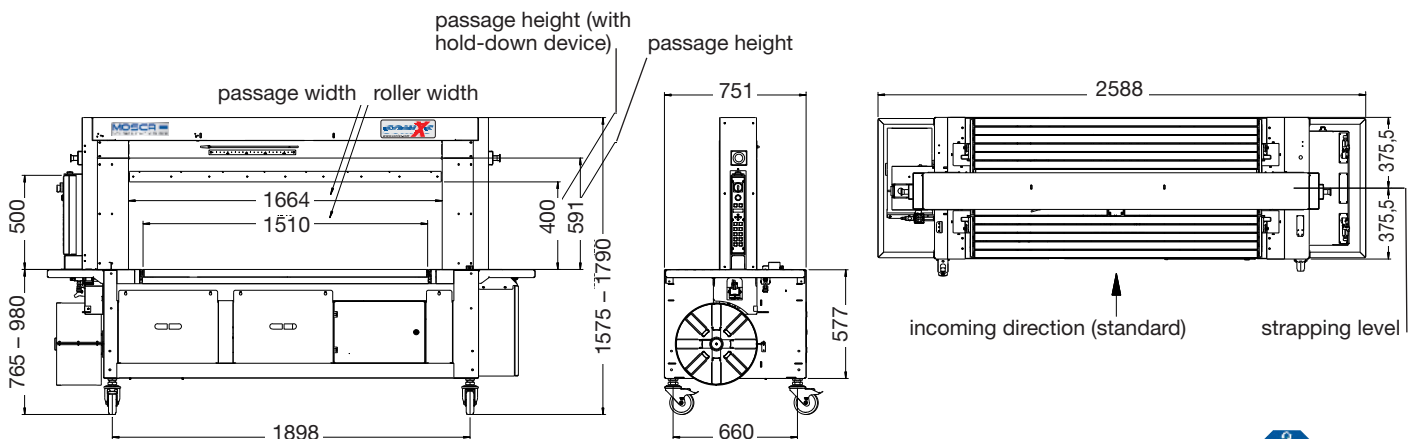
\* Country specific adaption possible

### PNEUMATICS:

Operating Pressure: 6 bar (1/4 inch rapid clutch)  
 Air Consumption: 3.5 NI/cycle; with pneumatic hold-down device  
 9.3 NI/cycle; with pneumatic hold-down device and backstop

### WEIGHT:

~ 538 kg (1650 x 600 mm, with hold-down device)  
 ~ 640 kg (1650 x 600 mm, with hold-down device and backstop)



03 / 14 Subject to Alterations



**MOSCA**<sup>®</sup>  
 EXCELLENCE IN STRAPPING SOLUTIONS

### MOSCA GMBH

Gerd-Mosca-Straße 1  
 D-69429 Waldbrunn/Germany  
 Tel.: +49 6274/932-0  
 Fax: +49 6274/932-400 118  
 Tel. Tech. Service: +49 6274 / 9 32-146  
 E-Mail: info@mosca.com  
 Internet: www.mosca.com

The models of SoniXs TRC-6 are adjustable to one strap width of all quality PP straps between 5 and 12 mm. Obtainable directly from Mosca, produced in one of Europe's most modern manufacturing plants. Combinable with maintenance contracts by Mosca – a one-stop solution.

