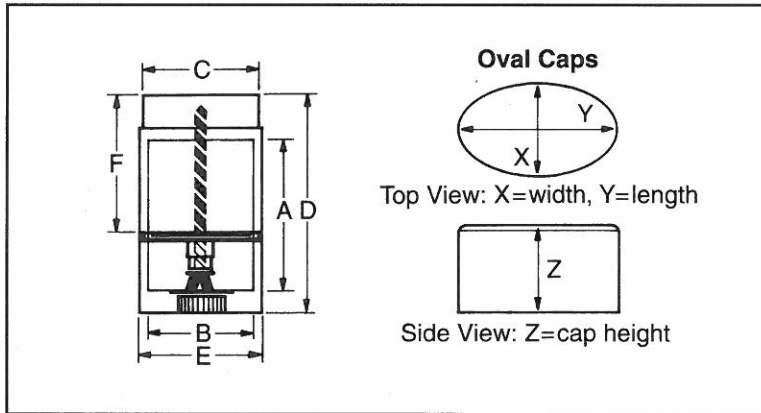


PLASTEK OVAL DEODORANT STICKS



Technical Information

- ▲ All fill weights assume approximately 1/8-inch space from top for filling and cooling product.
- ▲ Containers manufactured from polypropylene.
- ▲ Pressure-sensitive and silkscreen labeling available.
- ▲ Label dimensions are approximate.

Overall and Label-Area Dimensions

	Dimensions (Inches)										
	Fill Weight (Oz.) (Grams)		Max. Label Area A B		Barrel C D E F				Cap X Y Z		
	Mini-oval Push-up Assembly-Top-fill assembly with platform; no screw										
	0.50	15	1.06	1.47	1.80	1.85	1.87	.79	1.07	1.88	.85
	0.75	22.5	1.06	1.47	1.80	1.85	1.87	1.14	1.07	1.88	.85
	1.00	30	1.06	1.47	1.80	1.85	1.87	1.49	1.07	1.88	.85
	Sampler (one ounce) Assembly-Available in top-fill only										
	0.50	14.29	.80	1.5	2.18	2.23	2.16	.348	1.25	2.23	1.18
	0.75	21.43	.80	1.5	2.18	2.23	2.16	.598	1.25	2.23	1.18
	True-2 Assembly										
	1.25	35.71	1.97	1.5	2.18	3.50	2.16	1.30	1.25	2.23	1.18
	1.50	42.86	1.97	1.5	2.18	3.50	2.16	1.54	1.25	2.23	1.18
	1.75	50.00	1.97	1.5	2.18	3.50	2.16	1.79	1.25	2.23	1.18
	Standard Assembly										
	2.00	57.14	1.97	1.5	2.18	3.50	2.16	2.04	1.25	2.23	1.18
	2.25	64.29	2.5	1.5	2.18	3.99	2.16	2.29	1.25	2.23	1.18
	2.50	71.43	2.5	1.5	2.18	3.99	2.16	2.54	1.25	2.23	1.18
	Bonus Ounce Assembly										
	2.75	78.57	2.97	1.5	2.18	4.50	2.16	2.87	1.25	2.23	1.18
	3.00	85.71	2.97	1.5	2.18	4.50	2.16	3.12	1.25	2.23	1.18
	3.25	92.86	3.52	1.5	2.18	5.06	2.16	3.37	1.25	2.23	1.18
	Super Bonus Ounce Assembly										
	3.50	100.00	3.52	1.5	2.18	5.06	2.16	3.62	1.25	2.23	1.18

THE
PLASTEK
GROUP

WORLD CLASS SUPPLIER OF YOUR PLASTIC NEEDS
DESIGN • BUILD • MANUFACTURE

UNITED STATES
2425 West 23rd Street
Erie, Pennsylvania 16506
(814) 878-4468
Fax (814) 878-4499
www.plastekgroup.com

THE
PLASTEK
GROUP

WORLD CLASS SUPPLIER OF YOUR PLASTIC NEEDS
DESIGN • BUILD • MANUFACTURE

PLASTEK DO BRASIL IND. E COM. LTDA
Rod. Eng. Ermenlo De Oliveira Pentead, s/n - Km 58, 2 - SP 75
13330-000 Indaiatuba SP Brasil
011-55-193-885-8200
Fax 011-55-193-885-8205

THE
PLASTEK
GROUP

WORLD CLASS SUPPLIER OF YOUR PLASTIC NEEDS
DESIGN • BUILD • MANUFACTURE

PLASTEK UK LTD.
Crown Farm Way
Forest Town
Mansfield, Nottinghamshire
NG19 0FT England, UK
011-44-162-366-2233
Fax 011-44-162-366-2244

THE
PLASTEK
GROUP

WORLD CLASS SUPPLIER OF YOUR PLASTIC NEEDS
DESIGN • BUILD • MANUFACTURE

PLASTEK DE VENEZUELA
Av. Intercomunal Guarenas-Guatire
Sector El Marques, Edif. Plastek De Venezuela
Guatire, Edo. Miranda 1221-000
Venezuela
Switchboard 011-58-212-340-2411
Fax 011-58-212-340-2403