

# Pöppelmann KAPSTO® product range:

3,000 solutions. Free samples. No minimum order quantities. Available from stock.

**We are doing it.**



CAPS



PLUGS



TAILORED SOLUTIONS

# Contents

## Overview of KAPSTO® products

Product Overview ..... 03 – 05

Product Details ..... 06 – 113

GPN 200 Type A	7	GPN 340	61	GPN 703	96
GPN 200 Type B	8	GPN 350	18 / 62	GPN 710	97
GPN 201	9	GPN 351	20	GPN 720 Type A	98
GPN 205	10	GPN 360 Type A	89	GPN 720 Type B	99
GPN 207	11	GPN 360 Type B	90	GPN 730	100
GPN 210	39	GPN 365	21	GPN 735	101
GPN 211	40	GPN 500	64	GPN 736	102
GPN 212	42	GPN 550	65	GPN 737	103
GPN 215	43	GPN 551	66	GPN 738	104
GPN 220	44	GPN 600	22 / 67	GPN 800	47
GPN 240	12	GPN 601	70	GPN 801	49
GPN 245 Type A	53	GPN 602	71	GPN 804	50
GPN 245 Type B	53	GPN 605	72	GPN 900	30 / 77
GPN 250	13	GPN 606	73	GPN 910	78
GPN 255	15	GPN 607	91	GPN 915	79
GPN 260	54	GPN 610	25 / 74	GPN 920 Type A	80
GPN 270	55	GPN 615	92	GPN 920 Type B	31
GPN 280	16	GPN 620	27 / 76	GPN 930 Type B	105
GPN 290	17	GPN 630	93	GPN 930 Type B	51
GPN 300 F	57	GPN 640	107	GPN 940	45
GPN 300 V	58	GPN 650	108	GPN 950	32 / 81
GPN 305	83	GPN 655	110	GPN 980 Type A	33
GPN 308	84	GPN 670	111	GPN 980 Type B	33
GPN 310	85	GPN 680	112	GPN 985 Type A	34
GPN 315	86	GPN 690	113	GPN 985 Type B	34
GPN 320	60	GPN 695	28	GPN 1000	35
GPN 330	87	GPN 696	29	GPN 1010	36
GPN 335	88	GPN 700	95	GPN 1050	37

Materials and Applications ..... 114 – 115

KAPSTO® Cleanroom ..... 116 – 117

Non-standard Range and Tailored Solutions ..... 118 – 121

Service Benefits ..... 122 – 123

The Company ..... 124 – 131

The Company Pöppelmann ..... 124 – 127

The Business Divisions K-TECH®, FAMAC® und TEKU® ..... 128 – 131



# External Protection Caps

## Protective Caps



Protective Caps  
GPN 200 Type A

Page 7



Protective Caps  
GPN 200 Type B

Page 8



Flexible Protective  
Caps GPN 201

Page 9



Protective Caps  
GPN 205

Page 10



Protective Caps  
GPN 207

Page 11



Protective Caps  
GPN 240

Page 12



Protective Caps for  
Pipes GPN 250

Page 13



Protective Caps  
GPN 255

Page 15



Protective Caps  
GPN 280

Page 16



Shaft Protection  
GPN 290

Page 17



Closures  
GPN 350

Page 18



Flexible Closures  
GPN 351

Page 20



HDSCS Protection  
GPN 365

Page 21



Tapered Closures  
GPN 600

Page 22



Universal Protection  
GPN 610

Page 25



Universal Protection  
GPN 620

Page 27



Protective Covers  
GPN 695

Page 28



Protective Caps  
GPN 696

Page 29



Closures  
GPN 900

Page 30



Protective Dust Caps  
GPN 920 Form B

Page 31



Protective Plugs  
GPN 950

Page 32



Grease Nipple Caps  
GPN 980 Form A

Page 33



Grease Nipple Caps  
GPN 980 Form B

Page 33



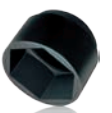
Grease Nipple Caps  
GPN 985 Form A

Page 34



Grease Nipple Caps  
GPN 985 Form B

Page 34



Hexagonal Caps  
GPN 1000

Page 35



Snap-on Caps  
GPN 1010

Page 36



Hexagonal Caps  
GPN 1050

Page 37

## Grip Caps



Grip Caps  
GPN 210

Page 39



Flexible Grip Caps  
GPN 211

Page 40



Grip Caps  
GPN 212

Page 42



Grip Caps  
GPN 215

Page 43



Grip Caps  
GPN 220

Page 44



Fast-fit Caps  
GPN 940

Page 45

## Screw Caps



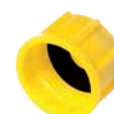
Screw Caps  
GPN 800

Page 47



Screw Caps  
GPN 801

Page 49



Screw Caps with  
Sealing Ring  
GPN 804

Page 50



Protective Dust Caps  
GPN 930 Type B

Page 51



**PÖPPELMANN**

Contact, product search, CAD data download and sample requests: [www.poeppelemann.com](http://www.poeppelemann.com)

**KAPSTO®**

# Internal Protection Plugs

## Protective Plugs



QC-Plugs  
GPN 245 Type A

Page 53



QC-Plugs  
GPN 245 Type B

Page 53

NEW



Square Plugs  
GPN 260

Page 54



Rectangular Plugs  
GPN 270

Page 55



Closures  
GPN 300 F

Page 57



Closures  
GPN 300 V

Page 58



Finned Plugs  
GPN 320

Page 60



Covers  
GPN 340

Page 61



Closures  
GPN 350

Page 62



Tapered Plugs  
GPN 500

Page 64



Screw-in Plugs  
GPN 550

Page 65



Screw-in Plugs  
GPN 551

Page 66



Tapered Closures  
GPN 600

Page 67



Thin-Walled Closures  
GPN 601

Page 70



Thin-Walled Closures  
GPN 602

Page 71



Tapered Plugs  
GPN 605

Page 72



Pull Plugs  
GPN 606

Page 73



Universal Protection  
GPN 610

Page 74



Universal Protection  
GPN 620

Page 76



Closures  
GPN 900

Page 77



Covers  
GPN 910

Page 78



Sealing Plugs  
GPN 915

Page 79



Protective Dust Plugs  
GPN 920 Form A

Page 80



Protective Plugs  
GPN 950

Page 81

## Grip Plugs



Grip Plugs  
GPN 305

Page 83



Grip Plugs  
GPN 308

Page 84

NEW



Grip Plugs  
GPN 310

Page 85



Grip Plugs  
GPN 315

Page 86



Grip Plugs  
GPN 330

Page 87



Grip Closures  
GPN 335

Page 88



Contact Protection  
GPN 360 Type A

Page 89



Contact Protection  
GPN 360 Type B

Page 90



Grip Plugs  
GPN 607

Page 91



Universal Protection  
with Ring Lug GPN 615

Page 92



Grip Plugs  
GPN 630

Page 93



**PÖPPELMANN**

We will be happy to advise you: +49 4442 982-9166

**KAPSTO®**



# Internal Protection Plugs

## Screw Plugs



Screw Plugs  
GPN 700

Page 95



Screw Plugs  
GPN 703

Page 96



Screw Plugs  
GPN 710

Page 97



Screw Plugs  
GPN 720 Type A

Page 98



Screw Plugs  
GPN 720 Type B

Page 99



Sealing Screw Plugs  
GPN 730

Page 100



Sealing Screw Plugs  
GPN 735

Page 101



Sealing Screw Plugs  
GPN 736

Page 102



Sealing Screw Plugs  
with o-ring GPN 737

Page 103



Sealing Screw Plugs  
with o-ring  
GPN 738

Page 104



Protective Dust Plugs  
GPN 930 Type A

Page 105

## Flange Covers



Flange Covers  
GPN 640

Page 107



Flange Covers  
GPN 650

Page 108



Flange Covers  
GPN 655

Page 110



Flange Covers  
GPN 670

Page 111



Flange Covers  
GPN 680

Page 112



Protective Caps  
GPN 690

Page 113

## Special Range

Even more choice – Short lead times.



Sealing Rings

Page 119



Tapered Plugs  
with Tab

Page 119



Double Plugs

Page 119

## Tailored Solutions

Protective parts, made to  
measure.



Transport Lock for  
Bearing Ring Seals

Page 120



Cover for Coaxial  
Contacts

Page 120



**PÖPPELMANN**

Contact, product search, CAD data download and sample requests: [www.poeppele.com](http://www.poeppele.com)

**KAPSTO®**

Do you know, why  
fast and personal on-site  
consulting is possible?

One answer is:

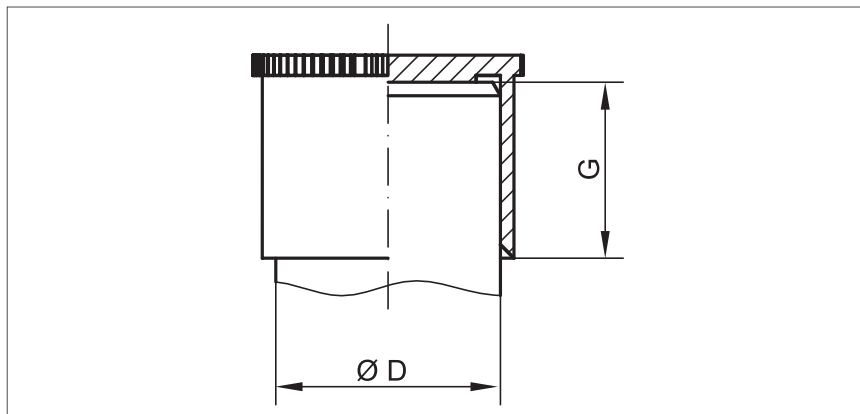
**Karl.**



For all answers, please  
see page 122/123.

**We are doing it.**

# Protective Caps GPN 200 Type A



Suitable for external diameter		
D	G	Order no.
5.0	13.0	200 Z 5 x 13
5.0	20.0	200 Z 5 x 20
6.0	10.0	200 Z 6 x 10
6.0	16.0	200 Z 6 x 16
6.0	31.0	200 Z 6 x 31
7.0	15.5	200 Z 7 x 16
8.0	10.0	200 Z 8 x 10
8.0	16.0	200 Z 8 x 16
8.0	30.0	200 Z 8 x 30
9.0	11.5	200 Z 9 x 12
9.0	16.0	200 Z 9 x 16
10.0	6.0	200 Z 10 x 6
10.0	10.0	200 Z 10 x 10
10.0	22.0	200 Z 10 x 22
10.0	28.0	200 Z 10 x 28
10.0	33.0	200 Z 10 x 33
12.0	10.0	200 Z 12 x 10
12.0	16.0	200 Z 12 x 16
12.0	35.0	200 Z 12 x 35
12.5	20.0	200 Z 12.5 x 20
14.0	8.0	200 Z 14 x 8
14.0	10.0	200 Z 14 x 10
14.0	15.0	200 Z 14 x 15
14.0	20.0	200 Z 14 x 20
14.0	38.0	200 Z 14 x 38
14.5	15.0	200 Z 14.5 x 15

Suitable for external diameter		
D	G	Order no.
16.0	8.0	200 Z 16 x 8
16.0	15.0	200 Z 16 x 15
16.0	20.0	200 Z 16 x 20
16.0	25.0	200 Z 16 x 25
18.0	15.0	200 Z 18 x 15
18.0	20.0	200 Z 18 x 20
18.0	26.0	200 Z 18 x 26
20.0	14.0	200 Z 20 x 14
20.0	20.0	200 Z 20 x 20
22.0	18.0	200 Z 22 x 18
22.0	30.0	200 Z 22 x 30
24.0	18.0	200 Z 24 x 18
27.0	20.0	200 Z 27 x 20
28.0	20.0	200 Z 28 x 20
30.0	22.0	200 Z 30 x 22
32.0	22.0	200 Z 32 x 22
33.0	25.0	200 Z 33 x 25
35.0	25.0	200 Z 35 x 25
36.0	25.0	200 Z 36 x 25
38.0	25.0	200 Z 38 x 25
39.0	27.0	200 Z 39 x 27
40.0	27.0	200 Z 40 x 27
42.0	27.0	200 Z 42 x 27
45.0	30.0	200 Z 45 x 30
48.0	30.0	200 Z 48 x 30
50.0	30.0	200 Z 50 x 30

Suitable for external			
Thread	Diameter D	G	Order no.
G 1/4	13.0	15.0	200 G 1/4
G 3/8	16.5	13.0	200 G 3/8
G 1/2	21.0	15.0	200 G 1/2
G 3/4	26.5	16.5	200 G 3/4
G 1	33.0	19.5	200 G 1

Size in mm

Colour and material alternatives, additional sizes, bespoke designs and technical cleanliness on request. For more information about materials, colours, drawings and application of our items, please see page 114/115.

>> You also might be interested in the following products: GPN 201, GPN 205, GPN 210, GPN 900



#### Technical cleanliness:

Production in accordance with VDA Band 19 and ISO 16232 in our specially equipped cleanroom on request. For more information, please see page 116/117.



#### Additional information:

Cylindrical caps with easy-to-grip knurled collar for protection of threaded studs, pipe ends and shafts.

**Material:** PE-LD

**Colour:** Natural



**PÖPPELMANN**

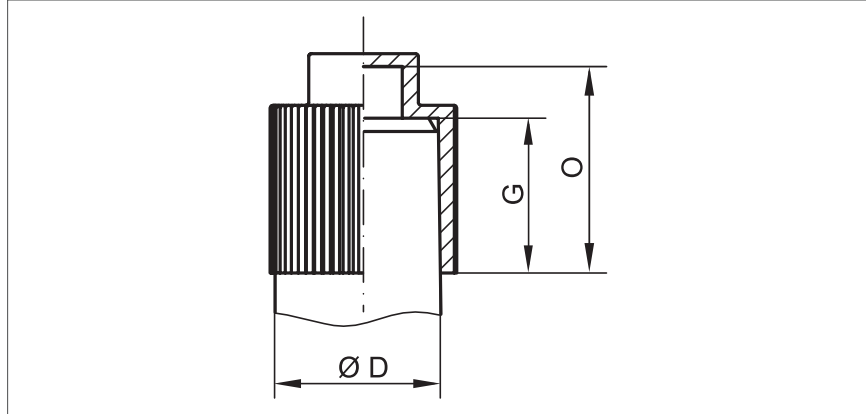
**KAPSTO®**

Contact, product search, CAD data download and sample requests: [www.poeppelemann.com](http://www.poeppelemann.com)



# Protective Caps

## GPN 200 Type B



Suitable for external		Dimensions		Order no.
Thread	Diameter D	G	O	
M 12 x 1.5	12.0	12.0	16.0	200 / 1040
M 20 x 1.5	20.0	20.0	26.0	200 / 0790
R 1/4	13.0	12.0	16.0	200 / 1041
R 1/2	21.0	20.0	26.0	200 / 0791

Size in mm

Colour and material alternatives, additional sizes, bespoke designs and technical cleanliness on request. For more information about materials, colours, drawings and application of our items, please see page 114/115.

>> You also might be interested in the following products: GPN 201, GPN 205, GPN 210, GPN 900

### Your KAPSTO® quality benefits:



**Standard protection:** Designed for male end connectors in accordance with DIN EN 837-1 and DIN EN 837-3.



**Technical cleanliness:** Production in accordance with VDA Band 19 and ISO 16232 in our specially equipped cleanroom on request. For more information, please see page 116/117.



**Additional information:** Easy-to-grip knurled outer wall for easy removal.

**Material:** PE-LD

**Colour:** Natural



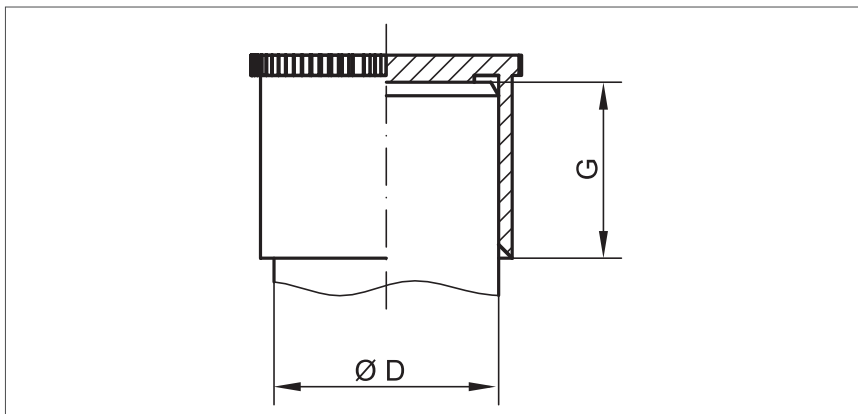
**PÖPPELMANN**

We will be happy to advise you: +49 4442 982-9166

**KAPSTO®**

# Flexible Protective Caps

## GPN 201



Suitable for external diameter	G	Order no.
D		
4.9 – 5.4	13.0	201 Z 5 x 13
4.9 – 5.4	20.0	201 Z 5 x 20
5.9 – 6.4	10.0	201 Z 6 x 10
5.9 – 6.4	16.0	201 Z 6 x 16
6.9 – 7.3	15.5	201 Z 7 x 16
8.0 – 8.4	10.0	201 Z 8 x 10
7.9 – 8.4	16.0	201 Z 8 x 16
7.9 – 8.1	30.0	201 Z 8 x 30
9.2 – 9.4	11.5	201 Z 9 x 12
9.0 – 9.1	16.0	201 Z 9 x 16
10.0 – 10.7	6.0	201 Z 10 x 6
9.9 – 10.5	10.0	201 Z 10 x 10
10.1 – 10.3	22.0	201 Z 10 x 22
9.9 – 10.2	28.0	201 Z 10 x 28
9.9 – 10.1	33.0	201 Z 10 x 33
11.9 – 12.8	10.0	201 Z 12 x 10
11.8 – 12.5	16.0	201 Z 12 x 16
11.9 – 12.1	35.0	201 Z 12 x 35
12.5 – 13.3	20.0	201 Z 12.5 x 20
13.9 – 14.8	8.0	201 Z 14 x 8
13.9 – 14.7	10.0	201 Z 14 x 10
13.9 – 14.6	15.0	201 Z 14 x 15
13.9 – 14.4	20.0	201 Z 14 x 20
13.9 – 14.4	38.0	201 Z 14 x 38
14.4 – 14.9	15.0	201 Z 14.5 x 15
15.9 – 16.7	8.0	201 Z 16 x 8
16.0 – 16.6	15.0	201 Z 16 x 15
15.9 – 16.6	20.0	201 Z 16 x 20
15.9 – 16.3	25.0	201 Z 16 x 25

Suitable for external diameter	G	Order no.
D		
17.9 – 18.9	15.0	201 Z 18 x 15
17.9 – 18.4	20.0	201 Z 18 x 20
17.9 – 18.3	26.0	201 Z 18 x 26
20.0 – 20.7	14.0	201 Z 20 x 14
20.0 – 20.7	20.0	201 Z 20 x 20
22.0 – 22.8	18.0	201 Z 22 x 18
21.9 – 22.5	30.0	201 Z 22 x 30
23.9 – 24.6	18.0	201 Z 24 x 18
26.7 – 27.8	20.0	201 Z 27 x 20
27.7 – 28.6	20.0	201 Z 28 x 20
29.8 – 30.7	22.0	201 Z 30 x 22
31.3 – 32.8	22.0	201 Z 32 x 22
32.7 – 33.9	25.0	201 Z 33 x 25
35.0 – 35.8	25.0	201 Z 35 x 25
35.8 – 37.5	25.0	201 Z 36 x 25
38.1 – 39.2	25.0	201 Z 38 x 25
38.6 – 39.7	27.0	201 Z 39 x 27
39.8 – 41.0	27.0	201 Z 40 x 27
41.9 – 42.9	27.0	201 Z 42 x 27
45.1 – 46.0	30.0	201 Z 45 x 30
48.3 – 49.9	30.0	201 Z 48 x 30
50.0 – 51.0	30.0	201 Z 50 x 30
13.2 – 13.9	15.0	201 G 1/4
16.5 – 17.1	13.0	201 G 3/8
20.8 – 21.5	15.0	201 G 1/2
26.2 – 27.7	16.5	201 G 3/4
33.1 – 34.7	19.5	201 G 1

Size in mm

This application table is a guide only. We will be happy to send you free samples for testing. Engraving equals standard series GPN 200

Colour and material alternatives, additional sizes, bespoke designs and technical cleanliness on request. For more information about materials, colours, drawings and application of our items, please see page 114/115.

Dimension G is not subject to DIN ISO 3302-1.

>> You also might be interested in the following products: GPN 205, GPN 211



Your KAPSTO® quality benefits:



**Temperature resistant:**  
heat-resistant to 150 °C.  
More details: page 115,  
"Physical properties".



**Multifunctional:** Suitable for  
different diameters due to  
flexible material.



**Additional information:**  
Cylindrical caps with easy-  
to-grip knurled collar for  
protection of threaded studs,  
pipe ends and shafts.

**Material:** TPE, free from plasticisers  
**Colour:** Yellow



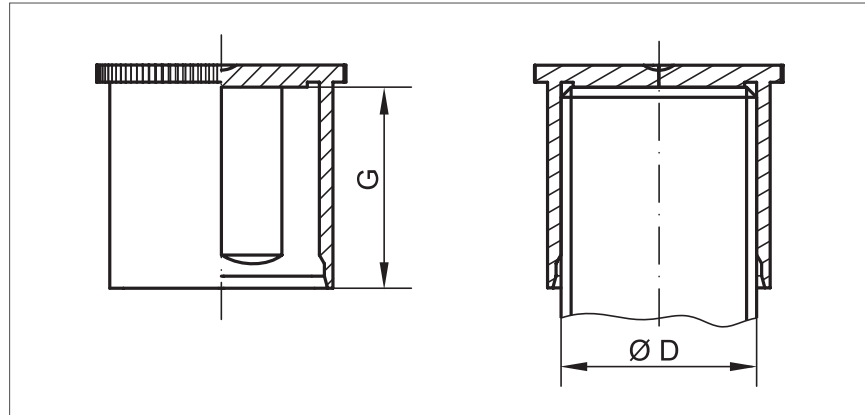
**PÖPPELMANN**

**KAPSTO®**

Contact, product search, CAD data download and sample requests: [www.poeppelemann.com](http://www.poeppelemann.com)

# Protective Caps

## GPN 205



Suitable for external diameter	Dimensions		Order no.
	D	G	
10.0	12.2		205 K 10 x 12
12.0	12.2		205 K 12 x 12
14.0	14.2		205 K 14 x 14
16.0	16.2		205 K 16 x 16
18.0	18.2		205 K 18 x 18
20.0	20.2		205 K 20 x 20
22.0	22.2		205 K 22 x 22
9.7	12.2		205 G 1/8
13.2	14.2		205 G 1/4
16.7	18.2		205 G 3/8
21.0	21.2		205 G 1/2
23.0	22.2		205 G 5/8
26.4	22.2		205 G 3/4
33.3	23.2		205 G 1

### Your KAPSTO® quality benefits:



**Multifunctional:** Flexible material in combination with internal clamping surfaces help to accommodate larger tolerances.



**Technical cleanliness:** Production in accordance with VDA Band 19 and ISO 16232 in our specially equipped cleanroom on request. For more information, please see page 116/117.



**Additional information:** Suitable for studs, external threads and pins, easy-go-grip knurled collar and clamping surfaces for firm fit and low-abrasion removal.

**Material:** EVA, free from plasticisers  
**Colour:** Yellow

Size in mm

Colour and material alternatives, additional sizes, bespoke designs and technical cleanliness on request. For more information about materials, colours, drawings and application of our items, please see page 114/115.

## Application Guide

Suitable for metric threads				Pipe thread	Order no.
Standard thread	Fine thread				
M 10	M 10 x 1	M 10 x 1.25			205 K 10 x 12
M 12	M 12 x 1	M 12 x 1.25	M 12 x 1.5		205 K 12 x 12
M 14	M 14 x 1		M 14 x 1.5		205 K 14 x 14
M 16	M 16 x 1		M 16 x 1.5		205 K 16 x 16
M 18	M 18 x 1		M 18 x 1.5		205 K 18 x 18
M 20	M 20 x 1		M 20 x 1.5		205 K 20 x 20
M 22	M 22 x 1		M 22 x 1.5		205 K 22 x 22
				G 1/8	205 G 1/8
				G 1/4	205 G 1/4
				G 3/8	205 G 3/8
				G 1/2	205 G 1/2
				G 5/8	205 G 5/8
				G 3/4	205 G 3/4
				G 1	205 G 1

This application table is a guide only. We will be happy to send you free samples for testing.

>> You also might be interested in the following products: **GPN 215, GPN 255, GPN 800**



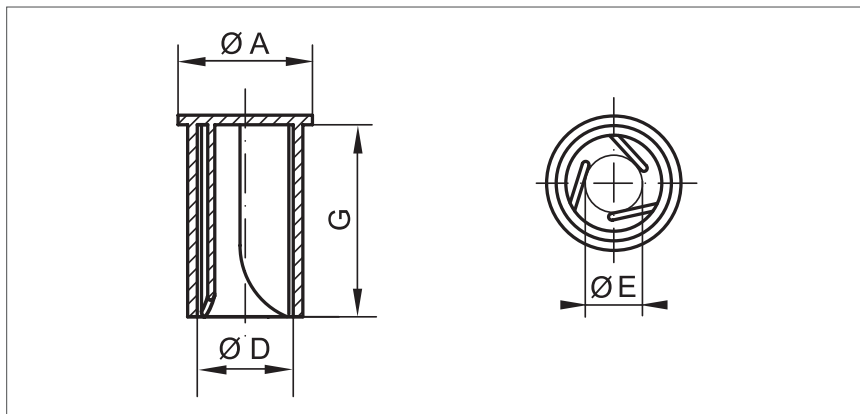
**PÖPPELMANN**

We will be happy to advise you: +49 4442 982-9166

**KAPSTO®**

# Protective Caps

## GPN 207



Suitable for external diameter E	Dimensions			Order no.
	A	D	G	
5.2 – 6.7	12.0	8.0	25.0	207 FL 67
5.8 – 7.3	13.0	9.0	25.0	207 FL 73
6.5 – 7.7	14.0	10.0	32.0	207 FL 77
6.5 – 8.0	14.0	10.0	20.0	207 FL 80
7.8 – 10.7	17.0	13.5	25.0	207 FL 107
9.3 – 12.3	18.5	14.3	23.0	207 FL 123
11.8 – 15.0	21.0	17.3	25.0	207 FL 150

Size in mm

Colour and material alternatives, additional sizes, bespoke designs and technical cleanliness on request. For more information about materials, colours, drawings and application of our items, please see page 114/115.

## Application Guide

Suitable for metric threads	Pipe thread	Suitable for SAE connectors	Order no.	
		6.35 (1/4")	207 FL 67	
M 6			207 FL 73	
		7.89 (5/16")	207 FL 77	
M 8		7.89 (5/16")	207 FL 80	
M 8	M 10		207 FL 107	
M 10	G 1/8	9.49 (3/8")	9.89 (7/16")	207 FL 123
M 12	M 14	G 1/4	12.70 (1/2")	207 FL 150

This application table is a guide only. We will be happy to send you free samples for testing.

>> You also might be interested in the following products: GPN 205, GPN 215, GPN 255



### Your KAPSTO® quality benefits:



**Multifunctional:** Suitable for different diameters due to flexible internal fins.



**Technical cleanliness:** Production in accordance with VDA Band 19 and ISO 16232 in our specially equipped cleanroom on request. For more information, please see page 116/117.



**Additional information:** Internal fins providing venting and pressure equalisation. Suitable for studs, pins, external threads and the mating surfaces of SAE quick-connect plugs.

**Material:** PE-LD  
**Colour:** Natural



**PÖPPELMANN**

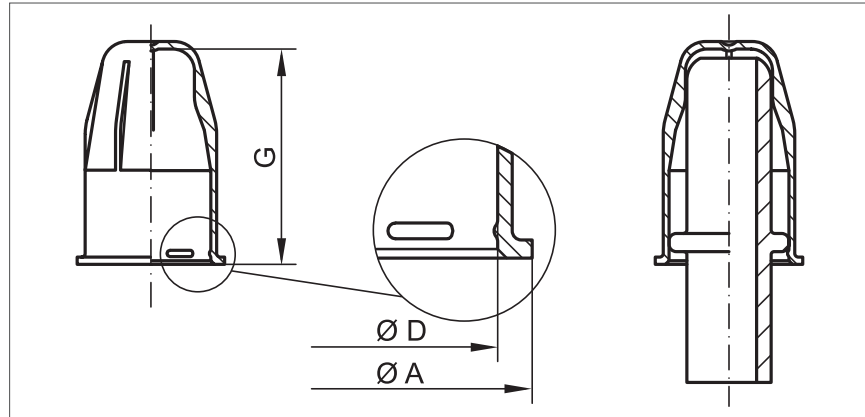
Contact, product search, CAD data download and sample requests: [www.poepelmann.com](http://www.poepelmann.com)

**KAPSTO®**



# Protective Caps

## GPN 240



Suitable for SAE connectors nominal width	A	D	G	Order no.
8.0	14.7	10.9	24.7	240 MT 8
9.5	16.7	12.9	25.1	240 MT 9.5
10.0	17.2	13.4	27.8	240 MT 10
12.0	20.3	16.5	29.6	240 MT 12
18.0	24.8	21.0	29.6	240 MT 18

Size in mm

Colour and material alternatives, additional sizes, bespoke designs and technical cleanliness on request. For more information about materials, colours, drawings and application of our items, please see page 114/115.

>> You also might be interested in the following products: [GPN 210](#), [GPN 211](#), [GPN 245](#).

### Your KAPSTO® quality benefits:



**Standard protection:** For protecting the mating surfaces of SAE quick-connect plugs.



**Leak-proof:** Suitable for limited pressure testing.



**Technical cleanliness:** Production in accordance with VDA Band 19 and ISO 16232 in our specially equipped cleanroom on request. For more information, please see page 116/117.



**Additional information:** The sealing surface of the SAE connector remains untouched.

**Material:** PE-LLD

**Colour:** Yellow



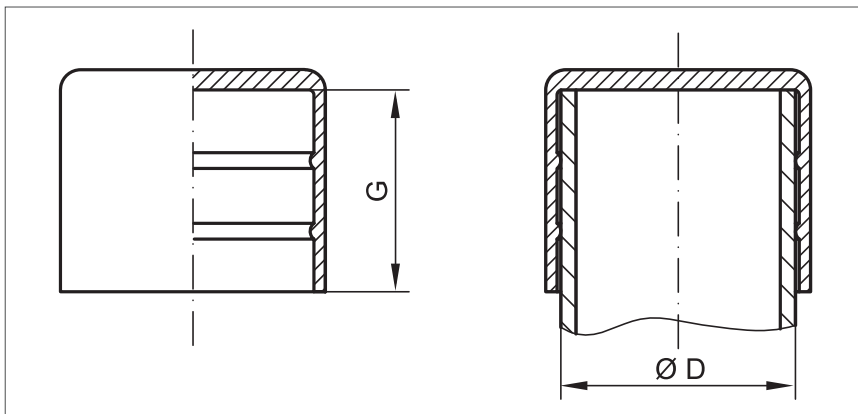
**PÖPPELMANN**

We will be happy to advise you: +49 4442 982-9166

**KAPSTO®**

# Protective Caps for Pipes

## GPN 250



Suitable for external			
Diameter D	Thread	G	Order no.
4.0		19.5	250 / 4
8.0		14.0	250 / 8
10.2	G 1/8	19.5	250 / 10.2
12.0		20.0	250 / 12
13.5	G 1/4	20.0	250 / 13.5
14.0		20.0	250 / 14
15.0		19.5	250 / 15
16.0		20.0	250 / 16
16.8		19.5	250 / 16.75
17.2	G 3/8	20.5	250 / 17.2
18.0		20.0	250 / 18
20.0		20.0	250 / 20
21.3	G 1/2	20.0	250 / 21.3
22.0		20.0	250 / 22
24.0		20.0	250 / 24
25.0		20.0	250 / 25
26.0		27.0	250 / 26
26.9	G 3/4	27.5	250 / 26.9
28.0		27.0	250 / 28
30.0		27.5	250 / 30
31.8		27.5	250 / 32
32.5		15.0	250 / 32.5
33.7	G 1	28.0	250 / 33.7
35.0		27.0	250 / 35
38.0		27.0	250 / 38
40.0		27.0	250 / 40
41.5		27.0	250 / 41.5
42.4	G 1 1/4	35.5	250 / 42.4
44.5	G 1 3/8	35.0	250 / 44.5
48.3	G 1 1/2	35.0	250 / 48.3
50.0		34.5	250 / 50
51.0		35.0	250 / 51
54.0	G 1 3/4	35.0	250 / 54
57.0		35.0	250 / 57
60.3	G 2	36.0	250 / 60
63.5		35.0	250 / 63.5
70.0		36.0	250 / 70
73.0		34.0	250 / 73
76.1	G 2 1/2	36.0	250 / 76
82.5	G 2 3/4	35.0	250 / 83
87.9	G 3	34.5	250 / 87.9
88.9		35.0	250 / 89
95.0		35.0	250 / 95
101.6		34.5	250 / 102
108.0		34.5	250 / 108
113.0	G 4	40.5	250 / 113
114.3		35.5	250 / 114.3
121.0		34.5	250 / 121



### Your KAPSTO® quality benefits:



#### Standard protection:

Protection for pipes in accordance with DIN EN 10220, DIN EN 10255 and DIN EN ISO 1127.



**Robust:** Thick-walled type for higher loads.



#### Additional information:

Discontinuous internal beads, offset by 180° degrees, permit venting and pressure equalisation.

**Material:** PE-LD; from GPN 250 / 219: PE-LLD

**Colour:** Yellow

► Continued on page 14



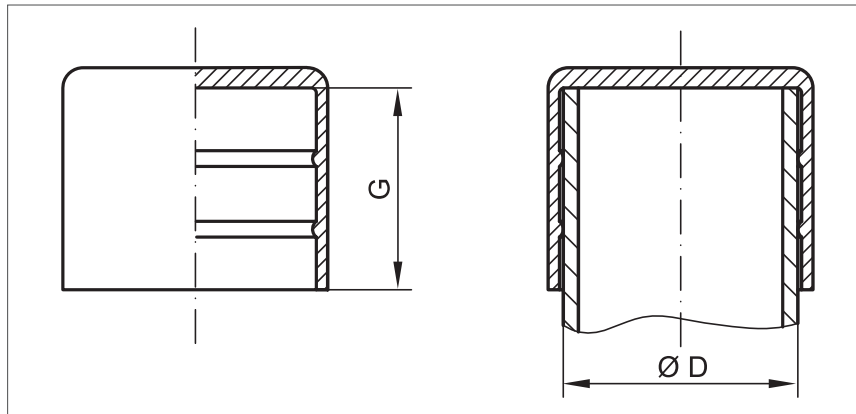
**PÖPPELMANN**

Contact, product search, CAD data download and sample requests: [www.poeppelemann.com](http://www.poeppelemann.com)

**KAPSTO®**

# Protective Caps for Pipes

## GPN 250



◀ Continued from page 13

Suitable for external			
Diameter D	Thread	G	Order no.
127.0	G 4 1/2	34.5	250 / 127
130.0		34.5	250 / 130
133.0		34.5	250 / 133
139.7	G 5	34.5	250 / 139.7
146.0		35.0	250 / 146
152.4	G 5 1/2	35.0	250 / 152.4
159.0		34.5	250 / 159
168.3	G 6	34.5	250 / 168.3
174.9		20.0	250 / 174.9
219.0	G 8	41.0	250 / 219
273.0	G 10	41.5	250 / 273
323.9	G 12	45.5	250 / 323.9
355.6	G 14	54.0	250 / 355.6
406.4	G 16	53.0	250 / 406.4

Size in mm

Colour and material alternatives, additional sizes, bespoke designs and technical cleanliness on request. For more information about materials, colours, drawings and application of our items, please see page 114/115.

>> You also might be interested in the following products: [GPN 200 Form A](#), [GPN 600](#), [GPN 610](#)

### Your KAPSTO® quality benefits:



#### Standard protection:

Protection for pipes in accordance with DIN EN 10220, DIN EN 10255 and DIN EN ISO 1127.



**Robust:** Thick-walled type for higher loads.



#### Additional information:

Discontinuous internal beads, offset by 180° degrees, permit venting and pressure equalisation.

**Material:** PE-LD; from GPN 250 / 219: PE-LLD

**Colour:** Yellow



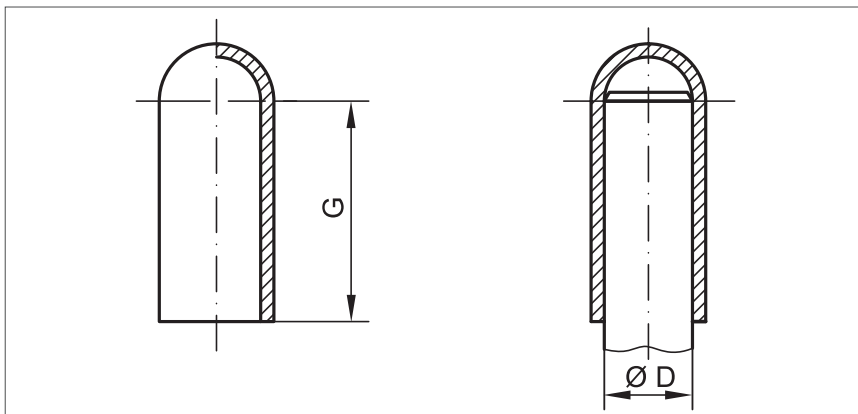
**PÖPPELMANN**

We will be happy to advise you: +49 4442 982-9166

**KAPSTO®**

# Protective Caps

## GPN 255



Suitable for external diameter D	G	Order no.
2.0	25.4	255 / 2
2.5	19.0	255 / 2.5
3.0	25.4	255 / 3
3.5	25.4	255 / 3.5
4.0	25.4	255 / 4
5.0	25.4	255 / 5
6.0	38.1	255 / 6
8.0	38.1	255 / 8
10.0	38.1	255 / 10
12.0	38.1	255 / 12
14.0	38.1	255 / 14
15.0	38.1	255 / 15
16.0	38.1	255 / 16
17.0	38.1	255 / 17
18.0	38.1	255 / 18
20.0	38.1	255 / 20
22.0	38.1	255 / 22
24.0	38.1	255 / 24
25.0	38.1	255 / 25
27.0	38.1	255 / 27
30.0	38.1	255 / 30
33.0	38.1	255 / 33
36.0	44.5	255 / 36
39.0	44.5	255 / 39
42.0	50.8	255 / 42
45.0	50.8	255 / 45
48.0	50.8	255 / 48
52.0	50.8	255 / 52

Size in mm

Flash and foreign particles are permitted for these items. We advise to perform functional test before series launch. For more information about the application of our items, please see page 114/115.

>> You also might be interested in the following products: GPN 605, GPN 606, GPN 607



Your KAPSTO® quality benefits:



**Temperature resistant:**  
Extremely heat-resistant to 250 °C. More details: page 115, "Physical properties".



**Robust:** Highly tear-resistant material for increased demands.



**Multifunctional:** Flexible material for accommodating larger tolerances.



**Additional information:**  
Protection for studs and pipe ends.

**Material:** SI  
**Colour:** Natural



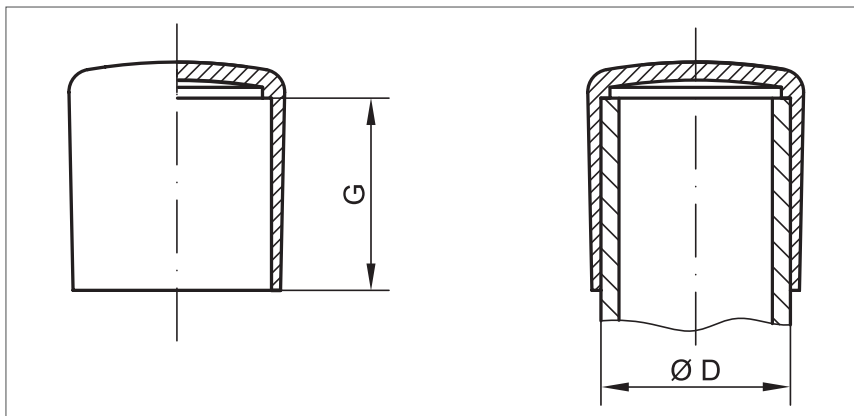
**PÖPPELMANN**

Contact, product search, CAD data download and sample requests: [www.poeppelemann.com](http://www.poeppelemann.com)

**KAPSTO®**

# End Caps

## GPN 280



Suitable for external diameter D	G	Order no.
3.0	8.0	280 ER 3
4.0	8.1	280 ER 4
5.0	7.7	280 ER 5
6.0	8.6	280 ER 6
7.0	9.0	280 ER 7
8.0	9.4	280 ER 8
10.0	11.0	280 ER 10
11.0	12.9	280 ER 11
12.0	12.3	280 ER 12
13.0	13.2	280 ER 13
14.0	12.8	280 ER 14
15.0	14.7	280 ER 15
16.0	16.4	280 ER 16
18.0	19.7	280 ER 18
20.0	20.1	280 ER 20
21.0	21.3	280 ER 21
22.0	20.6	280 ER 22
24.0	22.7	280 ER 24
25.0	22.3	280 ER 25
26.0	23.5	280 ER 26
27.0	25.3	280 ER 27
28.0	24.8	280 ER 28
30.0	24.8	280 ER 30
32.0	26.4	280 ER 32

### Your KAPSTO® quality benefits:



**Robust:** Reinforced base for increased demands.



**Additional information:** Suitable for pipes; particularly suitable as gilders for furniture and equipment.

**Material:** PE-LD

**Colour:** Black

Size in mm

For more information about materials, colours, drawings and application of our items, please see page 114/115.

>> You also might be interested in the following products:  
GPN 200 Form A, GPN 260, GPN 320, GPN 1000



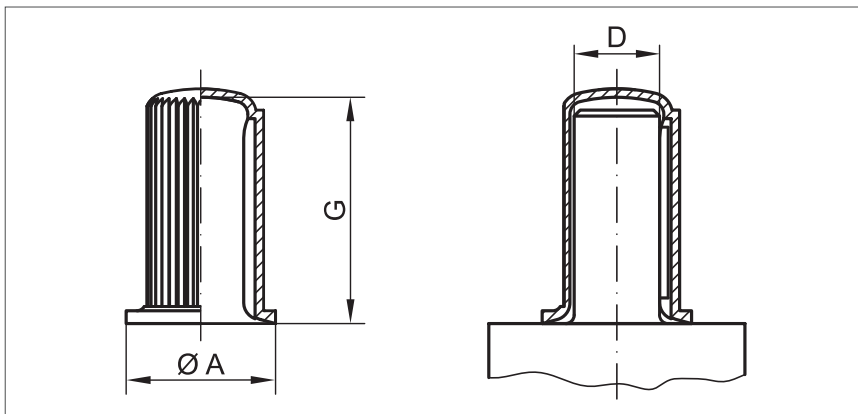
**PÖPPELMANN**

We will be happy to advise you: +49 4442 982-9166

**KAPSTO®**

# Shaft Protection

## GPN 290

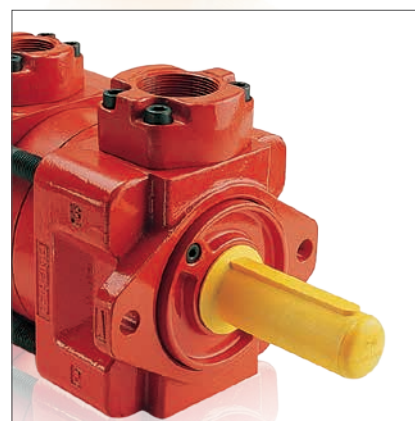


Suitable for external diameter D	A	G	Order no.
9.0	14.5	22.0	290 / 009
11.0	17.5	26.3	290 / 011
14.0	22.5	33.5	290 / 014
15.0	25.5	31.0	290 / 015
16.0	25.5	44.5	290 / 016
19.0	30.5	45.0	290 / 019
20.0	32.0	58.0	290 / 020
22.0	35.5	56.8	290 / 022
24.0	38.5	57.0	290 / 024
25.0	40.0	69.0	290 / 025
28.0	45.0	69.0	290 / 028
30.0	48.0	91.3	290 / 030
32.0	51.0	91.8	290 / 032
35.0	56.0	91.0	290 / 035
38.0	61.0	91.0	290 / 038
42.0	67.0	125.5	290 / 042
45.0	72.0	115.5	290 / 045
48.0	77.0	126.0	290 / 048
55.0	88.0	125.8	290 / 055
60.0	96.0	160.5	290 / 060
75.0	112.0	165.0	290 / 075

Size in mm

Colour and material alternatives, additional sizes, bespoke designs and technical cleanliness on request. For more information about materials, colours, drawings and application of our items, please see page 114/115.

>> You also might be interested in the following products: GPN 200 Form A, GPN 255



Your KAPSTO® quality benefits:



**Standard protection:**  
Protection for shaft ends in accordance with DIN EN 748-1 and DIN EN 50347.



**Additional information:** Also secures the feather key.

**Material:** PE-LD

**Colour:** Yellow



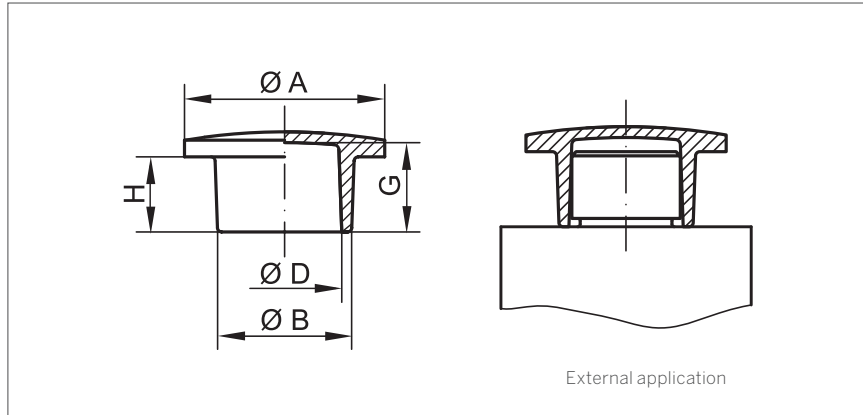
**PÖPPELMANN**

Contact, product search, CAD data download and sample requests: [www.poeppele.com](http://www.poeppele.com)

**KAPSTO®**

# Closures

## GPN 350



### Your KAPSTO® quality benefits:



#### Multifunctional:

Can be used as plug or cap.



#### Technical cleanliness:

Production in accordance with VDA Band 19 and ISO 16232 in our specially equipped cleanroom on request. For more information, please see page 116/117.



#### Additional information:

Suitable for openings, bolts, lines and threads.

**Material:** PE-LD

**Colour:** Natural

Dimensions			External application		Order no.
A	B	H	D	G	
13.0	6.2	6.0	3.8	7.3	350   2
13.0	6.4	9.0	5.0	10.8	350   3
13.0	7.1	6.0	4.7	7.8	350   4
13.0	8.2	6.0	5.8	7.8	350   5
13.0	7.8	9.0	6.0	10.8	350   6
13.0	9.3	6.0	7.7	7.3	350   7
16.0	10.4	8.0	8.1	9.0	350   8
16.0	10.4	11.0	8.0	12.8	350   9
16.0	10.8	8.0	8.8	9.8	350   10
16.0	11.3	8.0	9.4	9.3	350   11
16.0	11.9	13.0	9.7	14.5	350   12
16.0	11.9	8.0	9.7	9.2	350   13
19.0	12.9	8.0	10.9	9.8	350   14
19.0	13.9	8.0	11.7	9.8	350   15
19.0	14.0	16.0	11.7	17.7	350   16
19.0	14.5	8.0	12.5	9.3	350   17
19.0	15.0	8.0	13.0	9.3	350   18
24.0	15.9	9.0	13.7	10.7	350   20
24.0	17.0	9.0	14.7	10.6	350   21
24.0	17.8	22.0	14.7	23.3	350   22
24.0	17.7	9.0	15.7	10.7	350   23
24.0	18.3	9.0	16.5	10.7	350   24
26.0	19.9	10.0	17.7	12.2	350   25
26.0	20.9	10.0	18.7	12.2	350   26
26.0	21.5	26.0	18.7	28.2	350   27
26.0	22.0	10.0	19.7	12.2	350   28
26.0	22.7	10.0	20.5	12.2	350   29
29.0	23.2	10.0	21.2	12.2	350   30
29.0	23.7	10.0	21.7	12.2	350   31
29.0	24.4	10.0	23.0	12.2	350   32
29.0	25.0	10.0	23.7	12.2	350   33
33.0	26.3	11.0	24.9	13.2	350   35
33.0	27.2	11.0	25.2	13.2	350   36
33.0	28.3	11.0	25.7	13.2	350   37
33.0	29.3	11.0	26.9	12.5	350   38
36.0	30.1	11.0	27.9	12.6	350   39
36.0	30.4	11.0	28.3	13.2	350   40
36.0	32.0	11.0	29.7	12.5	350   41

► Continued on page 19



**PÖPPELMANN**

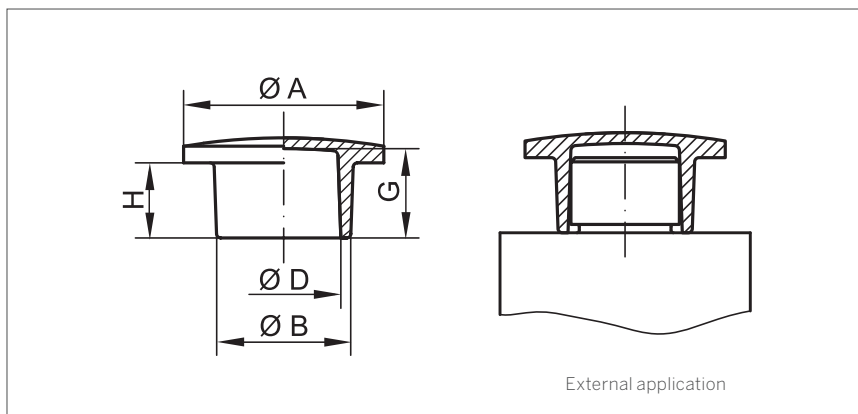
We will be happy to advise you: +49 4442 982-9166

**KAPSTO®**



# Closures

## GPN 350



◀ Continued from page 18

Dimensions			External application		Order no.
A	B	H	D	G	
36.0	32.8	11.0	30.5	13.2	350   42
42.0	33.9	12.0	31.5	14.2	350   43
42.0	34.5	12.0	32.5	14.2	350   44
42.0	35.3	12.0	32.4	14.2	350   45
42.0	36.5	12.0	34.7	14.2	350   46
45.0	38.0	12.0	35.7	14.2	350   47
45.0	38.9	12.0	36.7	14.2	350   48
45.0	39.4	12.0	37.5	14.2	350   49
45.0	40.2	12.0	38.5	14.2	350   50
50.0	41.8	12.0	39.5	13.7	350   51
50.0	43.7	12.0	41.5	14.2	350   52
50.0	44.8	12.0	42.0	14.2	350   53
56.0	45.8	11.8	43.9	12.9	350   531
56.0	46.8	12.0	44.5	13.7	350   54
55.0	48.3	12.0	46.3	14.2	350   541
56.0	48.7	12.0	46.7	14.2	350   55
56.0	50.5	20.0	47.5	22.2	350   56
62.0	54.0	13.0	51.5	14.2	350   57
65.0	59.4	15.0	56.9	15.0	350   570
65.0	60.8	18.0	56.8	18.0	350   571
72.0	62.5	14.0	59.2	16.0	350   58
85.0	79.5	18.0	76.5	18.0	350   581
88.0	75.6	14.0	72.9	16.5	350   59
92.0	88.5	20.0	85.0	20.0	350   60

Size in mm

Colour and material alternatives, additional sizes, bespoke designs and technical cleanliness on request. For more information about materials, colours, drawings and application of our items, please see page 114/115.

>> You also might be interested in the following products: GPN 205, GPN 255, GPN 351



Your KAPSTO® quality benefits:



**Multifunctional:**  
Can be used as plug or cap.



**Technical cleanliness:**  
Production in accordance with VDA Band 19 and ISO 16232 in our specially equipped cleanroom on request. For more information, please see page 116/117.



**Additional information:**  
Suitable for openings, bolts, lines and threads.

**Material:** PE-LD  
**Colour:** Natural



**PÖPPELMANN**

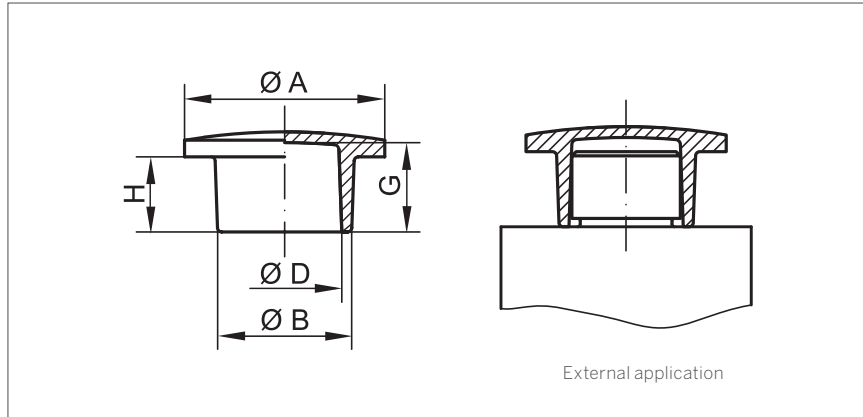
Contact, product search, CAD data download and sample requests: [www.poeppelemann.com](http://www.poeppelemann.com)

**KAPSTO®**

# Flexible Closures

## GPN 351

**NEW**



**Your KAPSTO® quality benefits:**



**Temperature resistant:**  
Heat-resistant to 150 °C.  
More details: page 115,  
"Physical properties".



**Multifunctional:** Suitable  
for different diameters due  
to flexible material.



**Additional information:**  
Suitable for apertures, studs,  
conductors, hexagonal shapes  
and threads. Colour and material  
alternatives, additional sizes and  
bespoke designs on request.  
For more information about  
materials, colours, drawings and  
application of our items, please  
see page 114/115.

**Material:** TPE, free from plasticisers  
**Colour:** Yellow

Dimensions					
A	B	H	External application		Order no.
			D	G	
13.0	6.2	6.0	3.8	7.3	35112
13.0	6.4	9.0	5.0	10.8	35113
13.0	7.1	6.0	4.7	7.8	35114
13.0	8.2	6.0	5.8	7.8	35115
13.0	7.8	9.0	6.3	10.8	35116
13.0	9.3	6.0	7.7	7.3	35117
16.0	10.4	8.0	8.1	9.0	35118
16.0	10.4	11.0	8.0	12.8	35119
16.0	10.8	8.0	8.8	9.8	351110
16.0	11.3	8.0	9.4	9.3	351111
16.0	11.9	13.0	9.7	14.5	351112
16.0	11.9	8.0	9.7	9.2	351113
19.0	12.9	8.0	10.9	9.8	351114
19.0	13.9	8.0	11.7	9.8	351115
19.0	14.0	16.0	11.7	17.7	351116
19.0	14.5	8.0	12.5	9.3	351117
19.0	15.0	8.0	13.0	9.3	351118
24.0	15.9	9.0	13.7	10.7	351120
24.0	17.0	9.0	14.7	10.6	351121
24.0	17.8	22.0	14.7	23.3	351122
24.0	17.7	9.0	15.7	10.7	351123
24.0	18.3	9.0	16.5	10.7	351124
26.0	19.9	10.0	17.7	12.2	351125
26.0	20.9	10.0	18.7	12.2	351126
26.0	21.7	26.0	18.7	28.2	351127
26.0	22.0	10.0	19.9	12.2	351128
26.0	22.9	10.0	20.7	12.2	351129
29.0	23.2	10.0	21.4	12.2	351130
29.0	23.7	10.0	21.9	12.2	351131
29.0	24.4	10.0	23.0	12.2	351132
29.0	25.2	10.0	23.9	12.2	351133
33.0	26.3	11.0	25.2	13.5	351135
33.0	27.2	11.0	25.4	13.2	351136
33.0	28.3	11.0	25.9	13.6	351137
33.0	29.3	11.0	27.0	12.7	351138
36.0	30.1	11.0	27.9	12.6	351139
36.0	30.4	11.0	28.3	12.7	351140
36.0	32.0	11.0	29.7	12.7	351141
36.0	32.8	11.0	30.5	12.7	351142
42.0	33.9	12.2	31.7	13.7	351143
42.0	34.6	12.0	32.8	13.8	351144
42.0	35.3	12.0	32.6	13.5	351145
42.0	36.6	12.0	35.0	13.8	351146
45.0	38.0	12.0	36.0	14.2	351147
45.0	38.9	12.0	37.0	14.2	351148
45.0	39.5	12.0	37.8	13.8	351149
45.0	40.3	12.0	38.8	14.2	351150
50.0	42.0	12.2	40.0	13.4	351151
50.0	43.7	12.0	42.0	14.2	351152
50.0	44.9	12.0	42.5	14.0	351153
56.0	46.2	12.0	43.9	13.2	3511531
56.0	47.2	12.0	45.0	13.3	351154
55.0	48.6	12.0	46.5	14.4	3511541
56.0	48.5	12.2	47.0	13.7	351155
56.0	50.3	20.0	48.0	21.7	351156
62.5	54.6	13.2	52.0	14.5	351157
65.0	59.8	15.0	56.9	15.0	3511570
65.0	60.8	18.0	56.8	18.0	3511571
72.0	63.0	14.0	59.8	15.5	351158
85.0	80.0	18.0	77.0	18.0	3511581
88.0	76.0	14.0	73.5	15.5	351159
93.0	88.5	20.5	84.5	20.5	351160

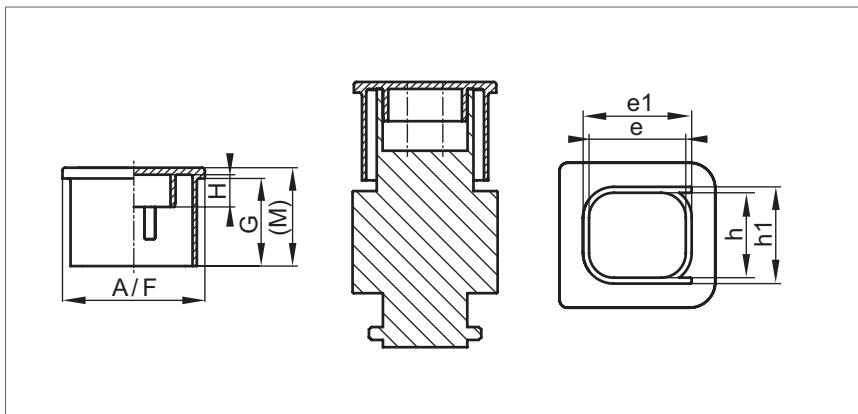
Size in mm

Engraving equals standard series GPN 350.

# HDSCS Protection

## GPN 365

**NEW**



Dimensions					Order no.
A	F	G	H	(M)	
33.7	19.6	16.3	6.0	18.3	GPN 365 SC 1810
33.7	26.5	16.3	6.0	18.3	GPN 365 SC 1816
38.7	26.5	16.3	6.0	18.3	GPN 365 SC 2316
46.7	27.5	16.3	6.0	18.3	GPN 365 SC 3116
58.9	26.7	16.3	6.0	18.3	GPN 365 SC 4316

Size in mm

Colour and material alternatives, additional sizes, bespoke designs and technical cleanliness on request. For more information about materials, colours, drawings and application of our items, please see page 114/115.



## Application Guide

Suitable for HDSCS pin housings		Number of poles											Order no.	
Internal contour e x h	External contour e1 x h1	2	3	4	6	7	8	10	12	15	16	18		
17.8 x 9.6	20.2 x 12.0	•	•											GPN 365 SC 1810
17.8 x 15.6	20.2 x 18.0			•	•									GPN 365 SC 1816
22.8 x 15.6	25.2 x 18.0	•				•	•							GPN 365 SC 2316
30.8 x 15.6	33.2 x 18.0					•	•	•						GPN 365 SC 3116
42.8 x 15.6	45.2 x 18.0			•						•	•	•		GPN 365 SC 4316

This application table is a guide only. We will be happy to send you free samples for testing. The contact protection GPN 365 is especially designed for HDSCS pin housings.

>> You also might be interested in the following products: GPN 211, GPN 360

### Your KAPSTO® quality benefits:



#### Standard protection:

Suitable for HDSCS (Heavy Duty Sealed Connector Series) pin housings.



#### Temperature resistant:

Heat-resistant to 150 °C.  
More details: page 115, "Physical properties".



#### Additional information:

Protection for pin housings and contact pins. Ideal for painting processes.

**Material:** TPE, free from plasticisers

**Colour:** Yellow



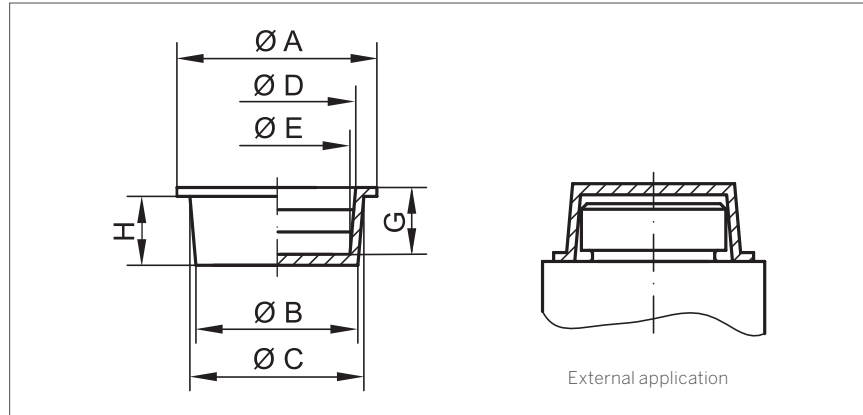
**PÖPPELMANN**

Contact, product search, CAD data download and sample requests: [www.poeppelemann.com](http://www.poeppelemann.com)

**KAPSTO®**

# Tapered Closures

## GPN 600



### Your KAPSTO® quality benefits:



**Multifunctional:** Can be used universally as plug or cap. The tapered design is ideal for accommodating tolerances.



**Additional information:** To close off bore holes and internal threads, or to protect studs and external threads.

**Material:** PE-LD; from GPN 600 B 915: PE-LLD  
**Colour:** Natural

Dimensions				External application			Order no.
A	B	C	H	D	E	G	
11.0	8.1	9.2	7.2	7.8	6.6	7.0	600 B 81
12.0	9.8	11.0	7.2	9.6	8.4	7.0	600 B 98
14.0	10.6	11.6	7.0	10.0	8.8	6.9	600 B 106
15.0	11.4	12.4	7.0	11.2	10.0	6.8	600 B 114
16.0	13.3	14.4	7.0	12.8	11.6	6.8	600 B 133
17.0	14.0	15.1	7.2	13.6	12.4	6.9	600 B 140
18.0	14.6	15.6	7.2	14.5	13.3	6.9	600 B 146
18.0	15.3	16.4	7.0	14.8	13.6	7.0	600 B 153
20.0	16.0	17.3	9.0	16.2	14.6	8.8	600 B 160
21.0	17.4	18.8	9.2	18.0	16.4	8.8	600 B 174
22.0	18.2	19.6	9.0	18.8	17.2	8.8	600 B 182
24.0	18.7	20.0	9.2	19.0	17.7	8.7	600 B 187
24.0	19.8	21.2	8.8	19.7	18.3	8.8	600 B 198
25.0	20.3	22.6	14.0	20.8	18.4	13.8	600 B 203
26.0	21.2	23.3	14.2	22.0	19.6	14.0	600 B 212
28.0	23.0	25.0	14.0	24.0	21.6	13.8	600 B 230
30.0	24.3	26.4	14.0	25.0	22.6	13.6	600 B 243
30.0	25.7	27.8	14.2	26.8	24.4	13.8	600 B 257
32.0	27.2	29.3	14.0	27.0	24.6	13.8	600 B 272
35.0	30.0	32.0	14.0	30.6	28.4	13.8	600 B 300
38.0	32.0	34.0	14.0	32.0	29.6	14.0	600 B 320
40.0	33.6	36.0	14.0	34.0	31.6	14.0	600 B 336
41.0	34.5	37.0	14.0	35.0	32.6	14.0	600 B 345
42.0	35.5	38.1	14.0	35.5	33.1	14.0	600 B 355
42.0	36.0	38.4	14.0	36.0	33.6	14.0	600 B 360
44.0	37.9	40.0	13.8	38.0	35.6	13.8	600 B 379
43.0	38.5	41.0	14.0	39.5	37.1	14.0	600 B 385
46.0	39.8	42.0	14.0	39.5	37.1	14.0	600 B 398
47.0	41.3	43.5	14.0	41.5	39.1	14.0	600 B 413
51.5	43.9	46.0	13.5	42.0	40.2	13.6	600 B 439
52.0	45.5	47.5	13.5	45.0	43.0	13.6	600 B 455
54.0	47.9	50.0	13.5	46.5	44.1	13.6	600 B 479
56.0	49.8	51.6	13.3	48.5	46.1	13.5	600 B 498
55.0	50.5	53.3	14.0	51.3	48.8	14.2	600 B 505
58.0	52.5	54.9	13.5	52.5	50.6	13.5	600 B 525
60.0	54.5	56.2	13.5	54.0	51.6	13.5	600 B 545
61.0	55.5	58.0	13.6	55.0	52.6	13.5	600 B 555
63.0	57.0	59.0	13.4	56.8	54.5	13.5	600 B 570
64.0	58.5	60.8	13.5	58.0	55.6	13.5	600 B 585
66.0	60.5	63.0	13.5	60.0	57.6	14.0	600 B 605
67.0	61.3	63.5	13.0	61.0	58.6	13.5	600 B 613
68.0	62.5	64.8	13.2	62.0	59.6	13.5	600 B 625
69.0	63.5	65.7	13.0	63.0	60.1	13.5	600 B 635
71.0	65.0	67.3	13.0	64.5	62.3	13.3	600 B 650
72.0	66.0	67.5	13.0	65.0	62.6	13.0	600 B 660
74.0	67.9	69.5	13.0	67.0	64.6	13.5	600 B 679
75.0	69.8	71.7	13.0	68.0	66.0	13.5	600 B 698
77.0	71.5	73.4	13.0	70.0	67.6	13.0	600 B 715
79.0	72.8	74.0	13.0	70.0	67.6	13.5	600 B 728
85.0	74.0	76.6	17.0	73.0	69.9	17.0	600 B 740
87.0	76.5	79.0	16.8	76.5	73.4	17.0	600 B 765
88.0	77.5	80.0	17.0	76.0	72.9	17.2	600 B 775
90.0	79.0	82.0	17.0	78.0	75.4	17.2	600 B 790
92.0	81.5	83.6	16.5	80.0	76.9	17.0	600 B 815
89.0	82.0	86.0	23.0	83.9	79.7	23.5	600 B 820
95.0	84.0	87.1	16.5	83.0	79.9	17.0	600 B 840

► Continued on page 23



**PÖPPELMANN**

We will be happy to advise you: +49 4442 982-9166

**KAPSTO®**

# Tapered Closures

## GPN 600

◀ Continued from page 22

	Dimensions						Order no.	
	A	B	C	H	External application			
					D	E		G
	97.0	86.5	89.0	17.5	86.0	82.9	18.0	600 B 865
	100.0	89.0	91.5	17.0	89.0	86.5	17.5	600 B 890
	102.0	91.5	94.0	17.0	92.0	88.9	17.5	600 B 915
	105.0	94.0	96.0	17.0	92.0	90.0	17.5	600 B 940
	107.0	96.5	99.0	17.0	96.0	92.9	17.5	600 B 965
	110.0	99.0	102.5	17.0	99.0	95.9	17.5	600 B 990
	112.0	101.5	104.0	17.0	102.0	98.9	17.3	600 B 1015
	115.0	104.0	106.5	17.0	104.0	100.9	17.5	600 B 1040
	117.0	106.5	109.0	17.0	106.0	102.9	17.2	600 B 1065
	120.0	109.0	111.0	17.0	108.0	105.0	17.5	600 B 1090
	123.0	112.0	114.5	17.0	112.5	109.4	17.0	600 B 1120
	125.0	114.0	117.0	16.6	114.5	111.4	17.2	600 B 1140
	124.5	114.3	119.2	28.0	117.1	112.1	28.7	600 B 1143
	130.0	119.0	123.0	23.0	120.2	116.1	23.0	600 B 1190
	134.0	124.0	128.0	23.0	123.0	119.1	23.0	600 B 1240
	137.6	127.5	130.6	23.0	127.6	123.6	22.5	600 B 1275
	140.0	129.0	133.0	23.0	130.2	126.1	23.5	600 B 1290
	143.0	133.0	137.0	23.0	133.0	129.0	22.5	600 B 1330
	149.0	139.0	143.0	23.0	139.0	135.0	23.0	600 B 1390
	159.5	146.8	152.6	33.0	149.9	144.0	33.5	600 B 1468
	159.0	149.0	153.0	23.0	148.0	144.1	23.3	600 B 1490
	163.6	153.5	157.5	23.0	153.6	149.6	23.0	600 B 1535
	169.0	159.0	162.0	23.0	158.0	154.0	23.0	600 B 1590
	170.0	160.0	164.0	23.0	160.0	156.0	23.0	600 B 1600
	179.0	169.0	172.0	23.0	168.0	164.0	23.0	600 B 1690
	184.0	174.0	177.0	23.0	173.0	169.0	22.5	600 B 1740
	189.0	179.0	182.0	23.0	178.0	174.0	23.0	600 B 1790
	192.0	181.5	184.5	23.0	180.5	176.5	23.0	600 B 1815
	199.5	183.6	190.6	33.0	187.9	182.0	33.8	600 B 1836
	209.0	199.0	202.0	22.5	198.0	194.0	22.5	600 B 1990
	212.0	202.0	205.0	23.0	202.1	198.1	23.0	600 B 2020
	213.0	203.0	205.0	23.0	202.0	199.0	23.0	600 B 2030
	216.0	206.0	210.6	23.5	206.0	201.6	23.5	600 B 2060
	235.0	218.0	222.0	22.5	217.4	213.5	22.5	600 B 2180
	242.0	225.0	229.0	23.5	225.4	221.3	23.0	600 B 2250*
	249.5	231.2	238.2	33.0	235.6	228.6	33.5	600 B 2312
	267.0	249.0	252.0	22.5	248.0	244.1	22.5	600 B 2490
	265.0	253.0	258.0	18.0	253.0	249.2	18.0	600 B 2530
	314.0	293.4	300.2	32.5	296.7	289.8	33.0	600 B 2934
	315.0	299.0	304.0	22.5	298.0	294.1	22.5	600 B 2990
	326.0	308.0	313.0	21.8	308.0	303.4	21.8	600 B 3080
	329.0	311.0	316.0	22.0	311.0	306.4	21.7	600 B 3110
	358.0	338.0	343.0	22.0	338.0	333.4	21.8	600 B 3380
	399.0	371.9	381.0	32.5	377.7	368.4	32.8	600 B 3719*
	415.0	398.0	406.0	30.0	399.0	392.7	29.8	600 B 3980
	455.0	435.0	443.0	30.0	437.0	430.7	30.0	600 B 4350
	499.0	465.4	476.7	32.0	472.8	461.3	33.0	600 B 4654
	506.0	484.0	491.0	30.0	486.0	479.7	30.0	600 B 4840

Size in mm

► Application guide data for exterior use, see page 24

Colour and material alternatives, additional sizes, bespoke designs and technical cleanliness on request. For more information about materials, colours, drawings and application of our items, please see page 114/115.

\*These sizes are supplied with bore.



**PÖPPELMANN**

**KAPSTO®**

Contact, product search, CAD data download and sample requests: [www.poepelmann.com](http://www.poepelmann.com)

# Tapered Closures

## GPN 600



### Additional information:

This application table is a guide only. We will be happy to send you free samples for testing. For studs, pins and pipe ends, please use dimensions D and E. Colour and material alternatives, additional sizes, bespoke designs and technical cleanliness on request. For more information about materials, colours, drawings and application of our items, please see page 114/115.

## Application guide data for exterior use

Standard thread	Metric threads					Pipe thread	Order no.
	Fine thread						
M 7							600 B 81
M 9	M 9 x 1						600 B 98
	M 10.5 x 1						600 B 114
M 12	M 12 x 1	M 12 x 1.5					600 B 133
	M 13 x 1	M 13 x 1.5					600 B 140
M 14	M 14 x 1	M 14 x 1.5					600 B 146
	M 15 x 1	M 15 x 1.5					600 B 160
	M 17 x 1						600 B 174
M 18	M 18 x 1	M 18 x 1.5	M 18 x 2				600 B 182
	M 19 x 1	M 19 x 1.5	M 19 x 2				600 B 203
						1/2	600 B 212
M 22	M 22 x 1	M 22 x 1.5	M 22 x 2				600 B 230
M 24	M 24 x 1	M 24 x 1.5	M 24 x 2				600 B 243
	M 25 x 1	M 25 x 1.5	M 25 x 2				600 B 257
	M 26 x 1	M 26 x 1.5	M 26 x 2				600 B 272
M 30	M 30 x 1	M 30 x 1.5	M 30 x 2	M 30 x 3		7/8	600 B 320
	M 32 x 1	M 32 x 1.5	M 32 x 2	M 32 x 3			600 B 336
M 33	M 33 x 1	M 33 x 1.5	M 33 x 2	M 33 x 3		1	600 B 345
	M 34 x 1	M 34 x 1.5	M 34 x 2	M 34 x 3			600 B 355
		M 35 x 1.5					600 B 360
	M 38 x 1	M 38 x 1.5	M 38 x 2	M 38 x 3		1 1/8	600 B 385
	M 38 x 1	M 38 x 1.5	M 38 x 2	M 38 x 3		1 1/8	600 B 398
	M 40 x 1	M 40 x 1.5	M 40 x 2	M 40 x 3			600 B 413
M 45	M 45 x 1	M 45 x 1.5	M 45 x 2	M 45 x 3	M 45 x 4		600 B 479
						1 1/2	600 B 498
	M 50 x 1	M 50 x 1.5	M 50 x 2	M 50 x 3	M 50 x 4		600 B 505
	M 50 x 1	M 50 x 1.5	M 50 x 2	M 50 x 3	M 50 x 4		600 B 525
						1 3/4	600 B 555
M 60	M 60 x 1	M 60 x 1.5	M 60 x 2	M 60 x 3	M 60 x 4	2	600 B 613
M 64	M 64 x 1	M 64 x 1.5	M 64 x 2	M 64 x 3	M 64 x 4		600 B 660
						2 1/4	600 B 679
	M 75 x 1	M 75 x 1.5	M 75 x 2	M 75 x 3	M 75 x 4		600 B 765
	M 78 x 1	M 78 x 1.5	M 78 x 2	M 78 x 3	M 78 x 4		600 B 815
						2 3/4	600 B 840
		M 90 x 1.5	M 90 x 2	M 90 x 3	M 90 x 4	M 90 x 6	600 B 915
		M 100 x 1.5	M 100 x 2	M 100 x 3	M 100 x 4	M 100 x 6	600 B 1015
		M 102 x 1.5	M 102 x 2	M 102 x 3	M 102 x 4		600 B 1040
		M 110 x 1.5	M 110 x 2	M 110 x 3	M 110 x 4	M 110 x 6	600 B 1120
		M 112 x 1.5	M 112 x 2	M 112 x 3	M 112 x 4		600 B 1140
		M 115 x 1.5	M 115 x 2	M 115 x 3	M 115 x 4	M 115 x 6	600 B 1143
		M 118 x 1.5	M 118 x 2	M 118 x 3	M 118 x 4		600 B 1190
		M 120 x 1.5	M 120 x 2	M 120 x 3	M 120 x 4	M 120 x 6	600 B 1240
		M 125 x 1.5	M 125 x 2	M 125 x 3	M 125 x 4	M 125 x 6	600 B 1275
		M 128 x 1.5	M 128 x 2	M 128 x 3	M 128 x 4		600 B 1290
		M 130 x 1.5	M 130 x 2	M 130 x 3	M 130 x 4	M 130 x 6	600 B 1330
		M 145 x 1.5	M 145 x 2	M 145 x 3	M 145 x 4	M 145 x 6	600 B 1468
		M 145 x 1.5	M 145 x 2	M 145 x 3	M 145 x 4	M 145 x 6	600 B 1490
		M 150 x 1.5	M 150 x 2	M 150 x 3	M 150 x 4	M 150 x 6	600 B 1535
		M 155 x 1.5	M 155 x 2	M 155 x 3	M 155 x 4	M 155 x 6	600 B 1590
		M 165 x 1.5	M 165 x 2	M 165 x 3	M 165 x 4	M 165 x 6	600 B 1690
		M 170 x 1.5	M 170 x 2	M 170 x 3	M 170 x 4	M 170 x 6	600 B 1740
		M 175 x 1.5	M 175 x 2	M 175 x 3	M 175 x 4	M 175 x 6	600 B 1790
		M 178 x 1.5	M 178 x 2	M 178 x 3			600 B 1815
		M 182 x 1.5	M 182 x 2	M 182 x 3	M 182 x 4		600 B 1836
		M 195 x 1.5	M 195 x 2	M 195 x 3	M 195 x 4	M 195 x 6	600 B 1990
		M 200 x 1.5	M 200 x 2	M 200 x 3	M 200 x 4	M 200 x 6	600 B 2020
		M 200 x 1.5	M 200 x 2	M 200 x 3	M 200 x 4	M 200 x 6	600 B 2030
		M 215 x 1.5	M 215 x 2	M 215 x 3	M 215 x 4	M 215 x 6	600 B 2180
		M 230 x 1.5	M 230 x 2	M 230 x 3	M 230 x 4	M 230 x 6	600 B 2312
		M 245 x 1.5	M 245 x 2	M 245 x 3	M 245 x 4	M 245 x 6	600 B 2490
		M 250 x 1.5	M 250 x 2		M 250 x 4	M 250 x 6	600 B 2530
		M 292 x 1.5	M 292 x 2		M 292 x 4		600 B 2934
		M 295 x 1.5	M 295 x 2		M 295 x 4	M 295 x 6	600 B 2990

Size in mm

◀ Dimensions on pages 22/23

&gt;&gt; You also might be interested in the following products: GPN 610, GPN 615, GPN 620

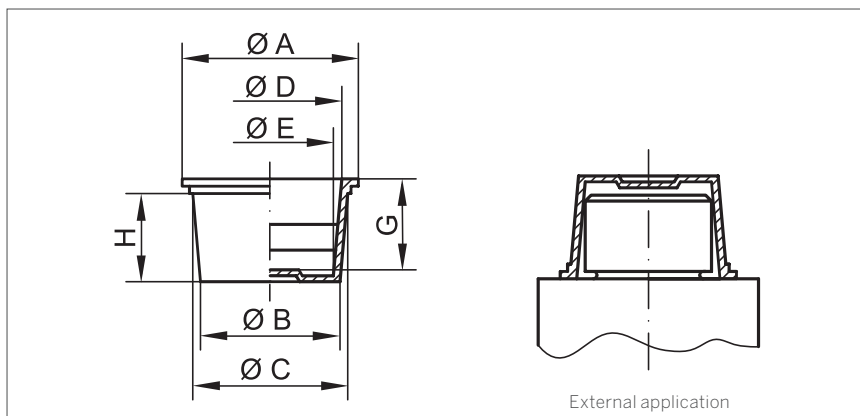

**PÖPPELMANN**

We will be happy to advise you: +49 4442 982-9166

**KAPSTO®**

# Universal Protection

## GPN 610



Dimensions				External application			Order no.
A	B	C	H	D	E	G	
10.0	4.4	6.2	10.0	4.6	2.8	10.8	610 U 1
11.0	6.0	7.8	10.0	6.2	4.4	10.8	610 U 2
13.0	7.6	9.4	10.0	7.8	6.0	10.0	610 U 3
14.0	8.4	10.2	10.0	8.6	6.8	10.0	610 U 4
14.0	9.2	11.0	10.0	9.3	7.5	10.0	610 U 5
15.0	9.9	11.7	10.0	10.1	8.3	10.0	610 U 6
16.0	10.6	12.4	10.0	10.8	9.0	10.0	610 U 7
17.0	11.3	13.1	10.0	11.2	9.5	10.0	610 U 8
18.0	12.0	14.1	12.0	12.5	10.4	12.0	610 U 9
18.0	12.5	14.6	12.0	13.3	11.2	12.0	610 U 10
19.0	13.5	15.6	12.0	14.0	11.9	12.0	610 U 11
19.0	14.0	16.1	12.0	14.5	12.4	12.0	610 U 12
21.0	15.0	17.0	13.0	15.5	13.2	13.0	610 U 13
22.0	16.3	18.6	13.0	17.0	14.7	13.0	610 U 14
22.0	17.3	19.4	13.0	17.6	15.5	13.0	610 U 15
24.0	17.5	20.1	15.0	18.5	15.9	15.0	610 U 16
25.0	18.4	21.0	15.0	19.4	16.8	15.0	610 U 17
25.0	19.0	21.6	15.0	20.0	17.4	15.0	610 U 18
27.0	20.4	23.2	16.0	21.6	18.8	16.0	610 U 19
28.0	20.7	23.5	16.0	21.9	19.1	16.0	610 U 20
29.0	22.0	24.8	16.0	23.0	20.4	16.0	610 U 21
30.0	23.2	26.3	18.0	24.4	21.2	18.0	610 U 22
32.0	24.5	27.8	19.0	26.2	22.9	19.0	610 U 23
33.0	25.5	29.2	19.0	27.7	23.7	19.0	610 U 24
33.0	26.4	30.4	19.0	28.9	24.9	19.0	610 U 241
35.0	27.8	31.1	19.0	29.5	26.2	19.0	610 U 25
37.0	29.8	32.6	16.0	31.1	28.3	16.0	610 U 26
38.0	31.4	35.1	21.0	33.4	29.7	21.0	610 U 27
41.0	33.3	37.1	22.0	35.5	31.7	22.0	610 U 28
45.0	36.7	40.5	22.0	39.0	35.2	22.0	610 U 29
45.0	38.4	40.7	13.0	39.2	36.9	13.0	610 U 291
48.0	38.2	43.0	23.0	41.4	36.6	23.0	610 U 30
48.0	39.6	42.9	19.0	41.3	38.0	19.0	610 U 31
49.0	41.4	44.7	19.0	43.0	39.7	19.0	610 U 32
51.0	44.4	47.7	19.0	46.1	42.8	19.0	610 U 33
54.0	45.2	49.6	25.0	48.0	43.6	25.0	610 U 34
55.0	46.6	51.0	25.0	48.7	45.2	25.0	610 U 35
62.0	52.5	56.9	25.0	55.2	50.8	25.0	610 U 36
65.0	54.0	59.3	25.0	57.8	52.5	25.0	610 U 37
65.0	54.2	58.6	25.0	57.0	52.6	25.0	610 U 38
67.0	58.4	62.8	25.0	61.1	56.7	25.0	610 U 39
71.0	60.7	67.1	29.0	64.3	57.5	28.5	610 U 40
75.0	67.1	70.4	19.0	68.7	65.4	19.0	610 U 41
83.0	72.4	75.7	19.0	74.1	70.8	19.0	610 U 42
92.0	84.5	87.8	19.0	85.7	82.4	19.0	610 U 43

Size in mm

► Application guide data for exterior use, see page 26

Colour and material alternatives, additional sizes, bespoke designs and technical cleanliness on request. For more information about materials, colours, drawings and application of our items, please see page 114/115.



Your KAPSTO® quality benefits:



**Multifunctional:** Can be used universally as plug or cap. The tapered design is ideal for accommodating tolerances.



**Technical cleanliness:** Production in accordance with VDA Band 19 and ISO 16232 in our specially equipped cleanroom on request. For more information, please see page 116/117.



**Additional information:** To close off bore holes and internal threads, or to protect studs and external threads.

**Material:** PE-LD  
**Colour:** Yellow



**PÖPPELMANN**

Contact, product search, CAD data download and sample requests: [www.poepelmann.com](http://www.poepelmann.com)

**KAPSTO®**



# Universal Protection

## GPN 610



### Additional information:

This application table is a guide only. We will be happy to send you free samples for testing. For apertures and bore holes without thread, please use dimensions D and E.

## Application guide data for exterior use

Standard thread	Metric threads					Pipe thread	Order no.
	Fine thread						
M 4	M 4 x 0.5						610 U 1
M 5	M 5 x 0.5						610 U 2
M 7							610 U 3
M 8	M 7.5 x 1	M 8 x 1				1/16	610 U 4
	M 8.5 x 1						610 U 5
M 9	M 9 x 1	M 9.5 x 1					610 U 6
M 10	M 10 x 1					1/8	610 U 7
	M 10.5 x 1						610 U 8
M 12	M 12 x 1	M 12 x 1.5					610 U 9
	M 12.5 x 1						610 U 10
	M 13 x 1	M 13 x 1.5				1/4	610 U 11
	M 13.5 x 1						610 U 12
M 14	M 14 x 1	M 14.5 x 1	M 14 x 1.5				610 U 13
M 16	M 16 x 1	M 16 x 1.5					610 U 14
						3/8	610 U 15
	M 17 x 1	M 17 x 1.5	M 17 x 2				610 U 16
M 18	M 18 x 1	M 18 x 1.5	M 18 x 2				610 U 17
	M 19 x 1	M 19 x 1.5	M 19 x 2				610 U 18
M 20	M 20 x 1	M 20 x 1.5	M 20 x 2				610 U 19
	M 21 x 1	M 21 x 1.5	M 21 x 2			1/2	610 U 20
M 22	M 22 x 1	M 22 x 1.5	M 22 x 2				610 U 21
	M 23 x 1	M 23 x 1.5	M 23 x 2			5/8	610 U 22
	M 25 x 1	M 25 x 1.5	M 25 x 2				610 U 23
	M 26 x 1	M 26 x 1.5	M 26 x 2			3/4	610 U 24
M 27	M 27 x 1	M 27 x 1.5	M 27 x 2				610 U 241
	M 28 x 1	M 28 x 1.5	M 28 x 2	M 28 x 3			610 U 25
M 30	M 30 x 1	M 30 x 1.5	M 30 x 2	M 30 x 3		7/8	610 U 26
	M 32 x 1	M 32 x 1.5	M 32 x 2	M 32 x 3			610 U 27
	M 34 x 1	M 34 x 1.5	M 34 x 2	M 34 x 3		1	610 U 28
	M 37 x 1	M 37 x 1.5	M 37 x 2			1 1/8	610 U 29
	M 38 x 1	M 38 x 1.5	M 38 x 2	M 38 x 3			610 U 291
M 39	M 39 x 1	M 39 x 1.5	M 39 x 2	M 39 x 3			610 U 30
	M 40 x 1	M 40 x 1.5	M 40 x 2	M 40 x 3	M 40 x 4		610 U 31
M 42	M 42 x 1	M 42 x 1.5	M 42 x 2	M 42 x 3	M 42 x 4	1 1/4	610 U 32
M 45	M 45 x 1	M 45 x 1.5	M 45 x 2	M 45 x 3	M 45 x 4	1 3/8	610 U 33
						1 1/2	610 U 35
M 52	M 52 x 1	M 52 x 1.5	M 52 x 2	M 52 x 3	M 52 x 4	1 3/4	610 U 36
	M 55 x 1	M 55 x 1.5	M 55 x 2	M 55 x 3	M 55 x 4		610 U 37
	M 55 x 1	M 55 x 1.5	M 55 x 2	M 55 x 3	M 55 x 4		610 U 38
	M 60 x 1	M 60 x 1.5	M 60 x 2	M 60 x 3	M 60 x 4	2	610 U 39
M 62	M 62 x 1	M 62 x 1.5	M 62 x 2	M 62 x 3	M 62 x 4		610 U 40
	M 72 x 1	M 72 x 1.5	M 72 x 2	M 72 x 3	M 72 x 4		610 U 42

Size in mm

◀ Dimensions on page 25

Colour and material alternatives, additional sizes, bespoke designs and technical cleanliness on request. For more information about materials, colours, drawings and application of our items, please see page 114/115.

>> You also might be interested in the following products: GPN 600, GPN 615, GPN 620



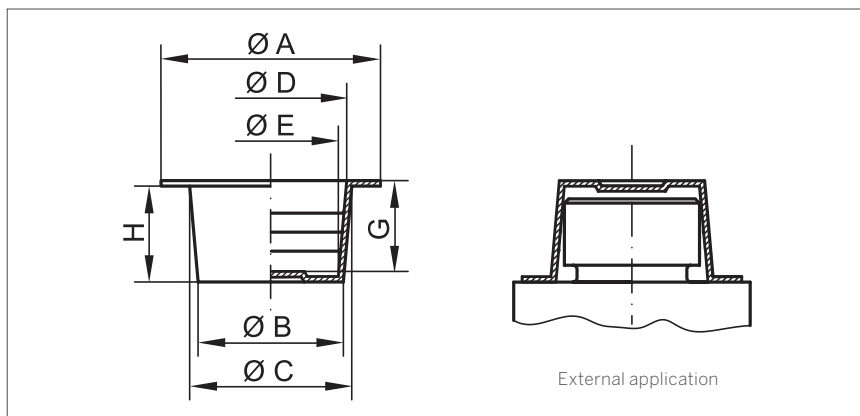
**PÖPPELMANN**

We will be happy to advise you: +49 4442 982-9166

**KAPSTO®**

# Universal Protection

## GPN 620



Dimensions				External application			Order no.
A	B	C	H	D	E	G	
22.0	4.4	6.3	11.0	4.6	2.7	11.2	620 U 1 B
23.0	6.0	7.9	11.0	6.1	4.3	11.2	620 U 2 B
25.0	7.6	9.5	11.0	7.8	5.9	11.0	620 U 3 B
26.0	8.4	10.3	11.0	8.6	6.8	10.0	620 U 4 B
26.0	9.2	11.0	11.0	9.3	7.5	10.0	620 U 5 B
27.0	9.9	11.7	11.0	10.0	8.3	10.0	620 U 6 B
28.0	10.6	12.4	11.0	10.6	8.8	10.0	620 U 7 B
29.0	11.3	13.2	11.0	11.6	9.8	10.0	620 U 8 B
30.0	12.0	14.2	13.0	12.5	10.4	12.0	620 U 9 B
30.0	12.5	14.6	13.0	13.1	11.2	12.0	620 U 10 B
31.0	13.8	15.9	13.0	14.1	12.0	12.0	620 U 11 B
31.0	14.0	16.4	13.0	14.5	12.2	12.0	620 U 12 B
33.0	15.0	17.2	14.0	15.5	13.4	13.0	620 U 13 B
34.0	16.5	18.8	14.0	17.1	14.8	13.0	620 U 14 B
34.0	17.4	19.6	14.0	17.8	15.6	13.0	620 U 15 B
36.0	17.7	20.3	16.0	18.6	16.0	15.0	620 U 16 B
37.0	18.6	21.2	16.0	19.5	16.9	15.0	620 U 17 B
37.0	19.3	21.9	16.0	20.1	17.6	15.0	620 U 18 B
39.0	20.8	23.5	17.0	21.8	18.9	16.0	620 U 19 B
40.0	21.2	24.0	17.0	22.1	19.3	16.0	620 U 20 B
41.0	22.3	25.2	17.0	23.4	20.4	16.0	620 U 21 B
42.0	23.7	27.0	19.0	24.1	20.9	18.0	620 U 22 B
44.0	25.0	28.3	20.0	26.4	23.0	19.0	620 U 23 B
45.0	26.4	29.5	20.0	27.7	24.7	19.0	620 U 24 B
47.0	28.3	31.4	20.0	29.7	26.4	19.0	620 U 25 B
49.0	29.8	32.9	20.0	31.2	28.1	19.0	620 U 26 B
50.0	32.0	35.5	22.0	33.6	29.8	21.0	620 U 27 B
52.0	33.8	37.8	23.0	36.0	31.9	22.0	620 U 28 B
54.0	36.4	40.2	22.0	38.4	34.5	21.0	620 U 29 B
60.0	39.2	43.1	23.0	41.3	37.2	22.0	620 U 31 B
70.0	41.3	44.8	20.0	43.0	39.5	19.0	620 U 32 B
64.0	44.4	47.9	20.0	46.1	42.6	19.0	620 U 33 B
66.0	50.5	53.1	14.0	51.1	48.8	13.7	620 U 351 B
74.3	52.7	56.6	25.0	54.6	51.0	24.7	620 U 36 B
85.0	62.5	67.5	20.5	66.0	60.4	20.5	620 U 401 B

Size in mm

Colour and material alternatives, additional sizes, bespoke designs and technical cleanliness on request. For more information about materials, colours, drawings and application of our items, please see page 114/115.

>> You also might be interested in the following products: GPN 610, GPN 615



Your KAPSTO® quality benefits:



**Multifunctional:** Can be used as a plug or cap for a wide range of applications. Tapered design for accommodating tolerances.



**Technical cleanliness:** Production in accordance with VDA Band 19 and ISO 16232 in our specially equipped cleanroom on request. For more information, please see page 116/117.



**Additional information:** Same design as GPN 610 but with larger cover flange.

**Material:** PE-LD  
**Colour:** Yellow



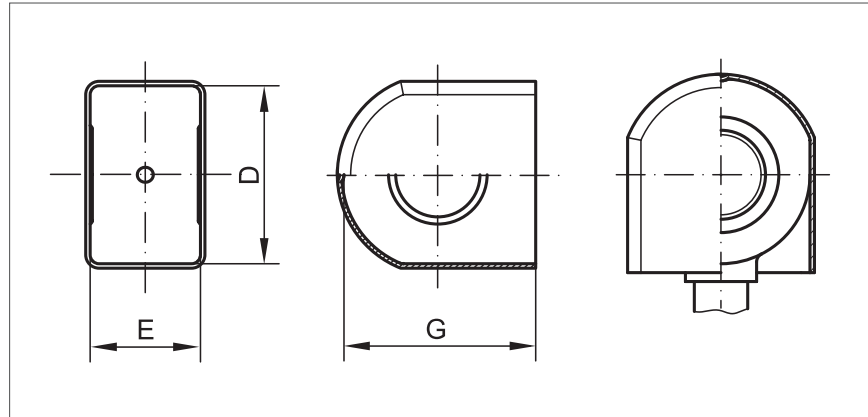
**PÖPPELMANN**

Contact, product search, CAD data download and sample requests: [www.poeppelemann.com](http://www.poeppelemann.com)

**KAPSTO®**

# Protective Covers

## GPN 695



Suitable for ring connections DIN 7642 B/E External pipe diameter	Dimensions			Order no.
	D	E	G	
6	17.0	9.8	19.6	695 BE 6
8	20.0	11.6	23.5	695 BE 8
10	24.0	13.8	27.6	695 BE 10
12	28.0	15.8	31.2	695 BE 12
15	32.2	19.6	35.3	695 BE 15
18	40.0	24.8	43.0	695 BE 18

Size in mm

Colour and material alternatives, additional sizes, bespoke designs and technical cleanliness on request. For more information about materials, colours, drawings and application of our items, please see page 114/115.

>> You also might be interested in the following products: [GPN 211](#)

### Your KAPSTO® quality benefits:



#### Standard protection:

Suitable for ring fittings in accordance with DIN 7642 design B and E.



#### Additional information:

The internal clamping ring is centered in the ring opening of the hollow screw, thereby preventing an ingress of dirt. Also suitable for non-standard ring-type nipples.

**Material:** PE-HD

**Colour:** Yellow



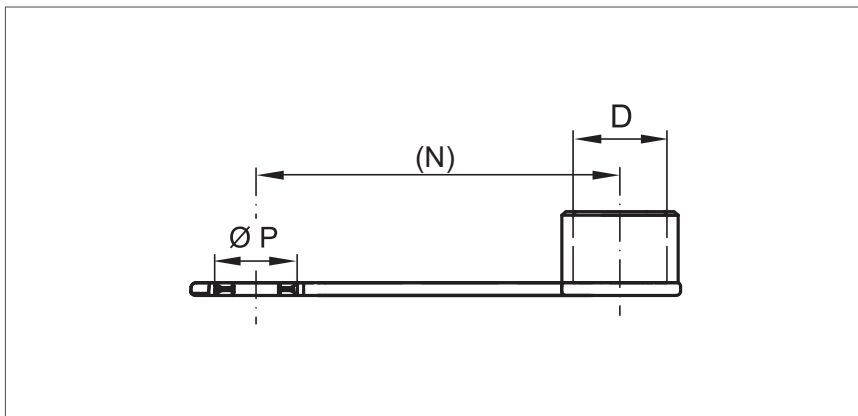
**PÖPPELMANN**

We will be happy to advise you: +49 4442 982-9166

**KAPSTO®**

# Protective Caps with Tab

## GPN 696



Suitable for external diameter	Dimensions		Order no.
	D	(N)	
9.5	45.6	8.0	GPN 696 M10 x 1
11.0	44.6	10.0	GPN 696 M12 x 1
13.5	47.2	12.0	GPN 696 M14 x 1.5
15.5	43.7	14.0	GPN 696 M16 x 1.5

Size in mm

For more information about materials, colours, drawings and application of our items, please see page 114/115.

>> You also might be interested in the following products: GPN 211, GPN 920, GPN 985



### Your KAPSTO® quality benefits:



**Time-saving:** Fast mounting due to flexible material. Additional saving due to fast removal: Pull the strap and it's predetermined breaking point will ease the removal.



**Temperature resistant:** Heat-resistant to 150 °C. More details: page 115, "Physical properties".



**Additional information:** Suitable for hollow screws.

**Material:** TPE, free from plasticisers  
**Colour:** Yellow



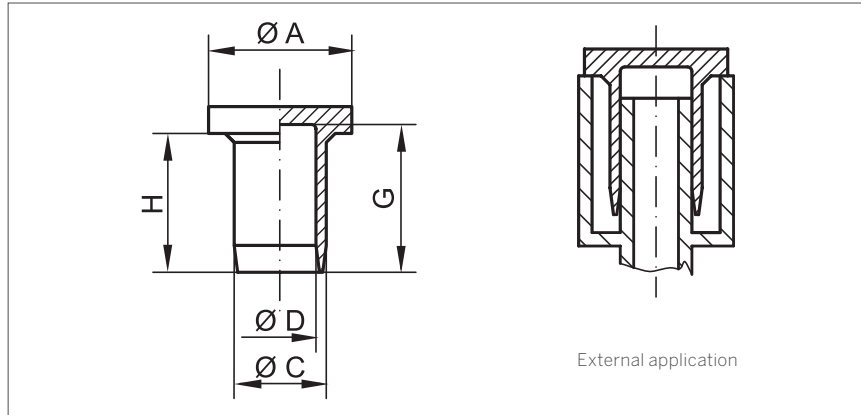
**PÖPPELMANN**

Contact, product search, CAD data download and sample requests: [www.poeppele.com](http://www.poeppele.com)

**KAPSTO®**

# Closures

## GPN 900



### Your KAPSTO® quality benefits:



**Multifunctional:** Cylindrical closure - can be used as plug or cap.



**Technical cleanliness:** Production in accordance with VDA Band 19 and ISO 16232 in our specially equipped cleanroom on request. For more information, please see page 116/117.

**Material:** PE-LD

**Material\*:** PE-LLD

**Colour:** Natural

Dimensions					
A	C	H	External application		Order no.
			D	G	
13.0	7.2	9.0	5.2	10.5	900 A 7
12.0	8.3	16.0	6.0	17.0	900 A 8.5
12.0	8.9	9.5	5.8	10.5	900 A 8.9
11.0	9.0	9.5	7.4	10.5	900 A 9
16.0	10.3	15.5	8.0	16.5	900 A 10.5
16.0	10.8	15.8	8.0	17.0	900 A 11
18.0	12.0	10.0	9.8	11.2	900 A 12
20.0	12.4	16.2	10.0	17.6	900 A 12.5
15.0	12.8	9.5	11.3	10.5	900 A 12.5 x 9.5
18.0	13.4	10.0	11.5	10.0	900 A 13.5
17.0	14.7	9.5	11.7	10.5	900 A 14
20.0	14.5	20.8	11.5	21.1	900 A 14.5
20.0	15.2	12.7	12.8	13.7	900 A 15
22.0	16.6	21.0	13.5	22.0	900 A 16.5
24.0	16.6	9.0	13.5	10.5	900 A 16.5 x 9
20.0	17.0	9.5	14.5	10.5	900 A 16.9
20.0	17.0	24.0	14.5	25.5	900 A 17
21.0	18.4	25.0	15.5	26.0	900 A 18.5 x 21
28.0	18.4	25.0	15.5	26.0	900 A 18.5
25.0	18.9	10.5	16.5	11.0	900 A 19
21.5	19.3	9.5	17.4	10.5	900 A 19.5
28.0	20.2	21.0	17.8	21.5	900 A 20
22.0	20.7	9.5	17.7	10.5	900 A 21
22.5	21.0	16.0	18.6	16.0	900 A 21 x 16
25.0	22.5	12.0	19.7	12.5	900 A 22.5
28.0	23.9	29.0	20.3	29.5	900 A 24
32.0	24.5	10.0	21.2	10.5	900 A 24.5
26.0	24.6	25.0	21.5	26.0	900 A 24.5 x 25
29.0	24.7	31.5	23.1	32.0	900 A 24.7
28.0	25.5	17.0	22.3	18.5	900 A 25.5
31.0	27.0	20.5	24.8	21.8	900 A 27
32.0	28.4	9.5	26.0	10.0	900 A 28.5
33.0	30.0	19.0	27.3	20.5	900 A 30
34.0	31.0	9.5	28.0	10.5	900 A 31
36.0	32.5	21.0	29.6	22.5	900 A 32
37.0	32.8	19.0	29.4	20.0	900 A 33
47.0	38.8	21.0	35.4	22.0	900 A 39
43.0	40.5	9.5	37.5	11.0	900 A 41
50.0	44.8	19.0	41.4	20.0	900 A 45
53.5	51.0	24.0	48.3	25.5	900 A 51
54.5	52.0	9.5	49.0	10.5	900 A 52
61.0	58.0	12.5	55.0	12.5	900 A 58*
69.0	64.0	29.0	61.5	30.5	900 A 64
72.0	69.5	29.0	66.5	29.5	900 A 69
80.0	76.0	20.0	70.0	20.5	900 A 76

Size in mm

Colour and material alternatives, additional sizes, bespoke designs and technical cleanliness on request. For more information about materials, colours, drawings and application of our items, please see page 114/115.



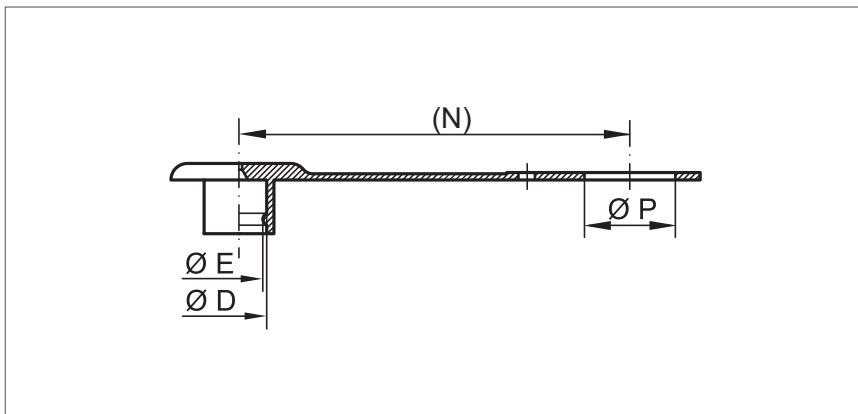
**PÖPPELMANN**

We will be happy to advise you: +49 4442 982-9166

**KAPSTO®**

# Protective Dust Caps

## GPN 920 Type B

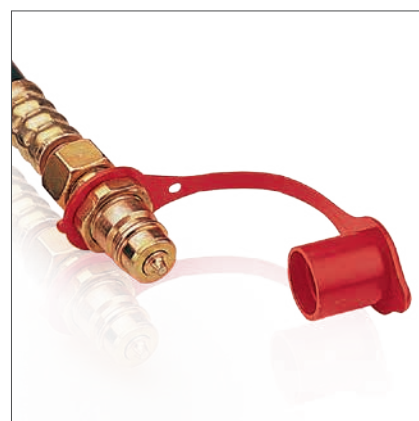


Suitable for nominal size	Dimensions				Order no.
	D	E	(N)	P	
1/4	12.5	11.5	125.0	22.0	920 / 9997
3/8	18.5	16.0	125.0	22.0	920 / 9995
1/2	24.0	23.0	135.0	29.0	920 / 4984
1/2	24.0	23.0	135.0	27.0	920 / 5371

Size in mm

Colour and material alternatives, additional sizes, bespoke designs and technical cleanliness on request. For more information about materials, colours, drawings and application of our items, please see page 114/115.

>> You also might be interested in the following products:  
GPN 920 Form A, GPN 930 Form A, GPN 930 Form B



### Your KAPSTO® quality benefits:



**Standard protection:**  
Protects open plug-in couplings from damage and contamination.



**Leak-proof:** Provides limited sealing action against an ingress or outflow of fluids.

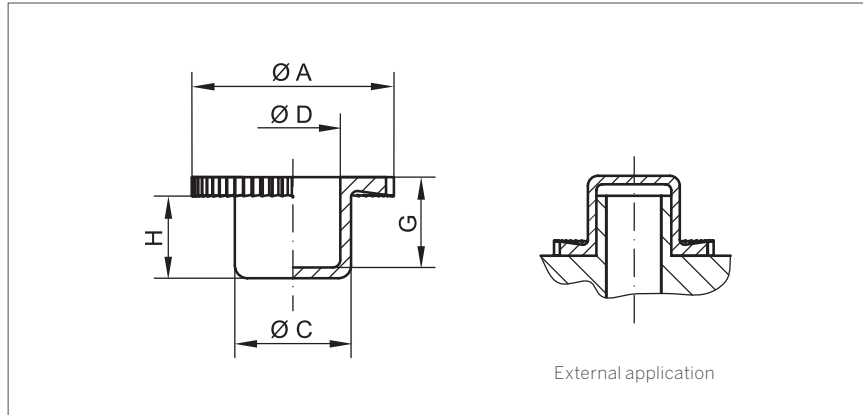


**Additional information:**  
Self-retaining design due to integral strap.

**Material:** PE-LD  
**Colour:** Red

# Protective Plugs

## GPN 950



### Your KAPSTO® quality benefits:



#### Multifunctional:

Can be used as cap or plug.



#### Technical cleanliness:

Production in accordance with VDA Band 19 and ISO 16232 in our specially equipped cleanroom on request. For more information, please see page 116/117.



#### Additional information:

With knurled collar. Suitable for bore holes, internal and external threads or pipe ends.

**Material:** PE-LD

**Colour:** Natural

Dimensions					Order no.
A	C	H	External application		
			D	G	
10.0	5.4	6.0	3.9	7.3	950 / 0054
10.5	6.7	7.0	5.2	7.8	950 / 0067
14.0	7.2	6.5	5.7	7.2	950 / 0072
16.0	9.6	6.5	7.7	7.2	950 / 0092
20.0	10.5	5.0	8.4	6.2	950 / 0105
18.0	10.6	8.5	9.0	9.2	950 / 0106
20.0	12.6	8.0	11.0	9.2	950 / 0126
22.0	13.1	8.0	11.5	9.2	950 / 0131
22.0	14.7	10.0	13.1	11.2	950 / 0147
20.0	15.7	8.0	13.5	8.9	950 / 0157
24.0	16.8	8.5	15.5	9.2	950 / 0168
24.0	18.0	7.2	16.0	8.0	950 / 0180
28.0	18.8	10.0	17.5	11.2	950 / 0188
28.0	19.3	10.0	17.7	11.2	950 / 0193
30.0	20.8	10.0	19.5	11.2	950 / 0208
31.8	22.9	10.0	21.7	11.4	950 / 0229
33.5	25.1	10.0	23.6	11.3	950 / 0250

Size in mm

Colour and material alternatives, additional sizes, bespoke designs and technical cleanliness on request. For more information about materials, colours, drawings and application of our items, please see page 114/115.

>> You also might be interested in the following products: [GPN 200 Form A](#), [GPN 200 Form B](#)



**PÖPPELMANN**

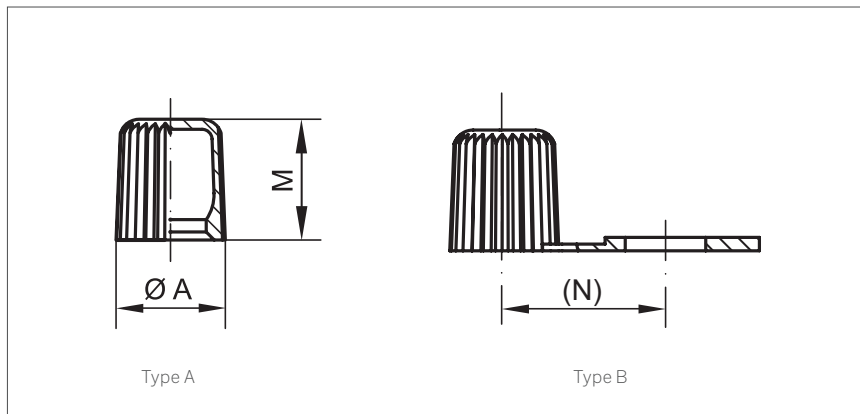
We will be happy to advise you: +49 4442 982-9166

**KAPSTO®**



# Grease Nipple Caps

## GPN 980



### Type A (without tab)

Dimensions		Colour	Order no.
A	M		
8.2	9.0	Yellow	980 / 0100
8.2	9.0	Red	980 / 0101
8.2	9.0	Green	980 / 0102
8.2	9.0	Black	980 / 0103

### Type B (with tab)

Dimensions			Colour	Order no.
A	M	(N)		
8.2	9.0	12.0	Yellow	980 / 0200
8.2	9.0	12.0	Red	980 / 0201
8.2	9.0	12.0	Green	980 / 0202
8.2	9.0	12.0	Black	980 / 0203

Size in mm

Colour and material alternatives, additional sizes, bespoke designs and technical cleanliness on request. For more information about materials, colours, drawings and application of our items, please see page 114/115.

>> You also might be interested in the following products: GPN 985



### Your KAPSTO® quality benefits:



#### Standard protection:

Protection for the tapered heads of grease nipples in accordance with DIN EN 71412.



#### Additional information:

Protect the tapered head of grease nipples against contamination and visibly mark lubrication points. Caps are knurled for ease of grip.  
design A: without tab  
design B: with tab.

**Material:** PE-LLD

**Colours:** Yellow, Red, Green, Black



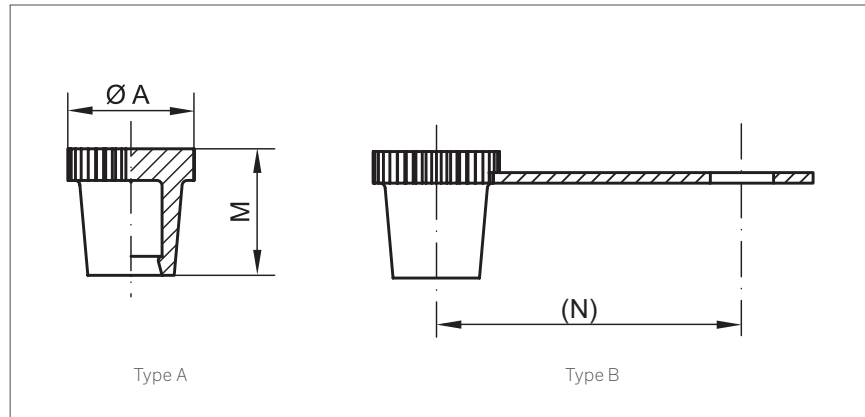
**PÖPPELMANN**

Contact, product search, CAD data download and sample requests: [www.poeppelemann.com](http://www.poeppelemann.com)

**KAPSTO®**

# Grease Nipple Caps

## GPN 985



### Type A (without tab)

Dimensions		Colour	Order no.
A	M		
12.0	12.0	Yellow	985 / 0100
12.0	12.0	Red	985 / 0101
12.0	12.0	Green	985 / 0102
12.0	12.0	Black	985 / 0103

### Type B (with tab)

Dimensions			Colour	Order no.
A	M	(N)		
12.0	12.0	29.0	Yellow	985 / 0200
12.0	12.0	29.0	Red	985 / 0201
12.0	12.0	29.0	Green	985 / 0202
12.0	12.0	29.0	Black	985 / 0203

Size in mm

Colour and material alternatives, additional sizes, bespoke designs and technical cleanliness on request. For more information about materials, colours, drawings and application of our items, please see page 114/115.

>> You also might be interested in the following products: **GPN 980**

### Your KAPSTO® quality benefits:



#### Standard protection:

Protection for the tapered heads of grease nipples in accordance with DIN EN 71412.



#### Additional information:

Protect the tapered head of grease nipples against contamination and visibly mark lubrication points. Caps are knurled for ease of grip.  
design A: without tab  
design B: with tab.

**Material:** PE-LLD

**Colours:** Yellow, Red, Green, Black

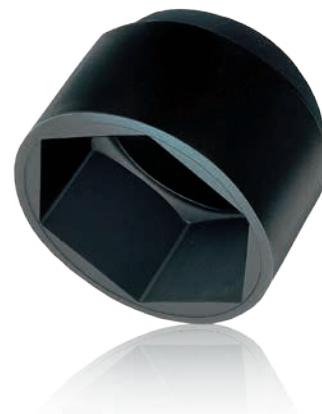
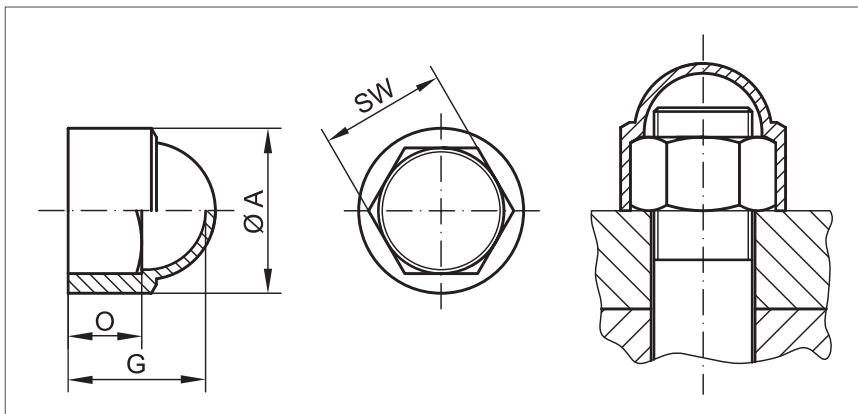


**PÖPPELMANN**

We will be happy to advise you: +49 4442 982-9166

**KAPSTO®**

# Hexagonal Caps GPN 1000



Dimensions			Suitable for hexagon nuts				Order no.	
A	G	O	Spanner width (width across flat)	Metric threads		Pipe thread		
9.0	7.5	3.5	7	M 4			1000 / 1916	
10.9	8.0	5.0	8	M 5			1000 / 1068	
12.9	12.0	6.0	10	M 6			1000 / 1069	
16.8	14.0	7.5	13	M 8	M 8 x 1		1000 / 0893	
18.0	14.0	7.5	14				1000 / 1071	
21.3	18.0	9.0	16	M 10			1000 / 8267	
21.3	18.5	9.0	17	M 10	M 10 x 1		1000 / 1072	
23.0	19.4	11.0	18	M 12			1000 / 0857	
23.6	20.0	11.0	19	M 12	M 12 x 1.5		1000 / 1073	
26.0	22.5	12.0	21	M 14	M 14 x 1.5		1000 / 0190	
27.5	22.5	12.0	22	M 14	M 14 x 1.5	1/4	1000 / 1074	
29.8	25.5	14.0	24	M 16	M 16 x 1.5		1000 / 1075	
34.0	29.0	16.0	27	M 18	M 18 x 1.5	M 18 x 2	3/8	1000 / 1076
37.4	31.0	17.0	30	M 20	M 20 x 1.5	M 20 x 2		1000 / 1077
39.7	34.0	19.0	32	M 22	M 22 x 1.5	M 22 x 2	1/2	1000 / 1078
44.4	38.0	20.0	36	M 24	M 24 x 1.5	M 24 x 2	5/8	1000 / 1079
50.1	44.0	23.0	41	M 27	M 26 x 1.5			1000 / 1080
					M 27 x 1.5	M 27 x 2	3/4	1000 / 1080
					M 28 x 1.5			1000 / 1080
55.9	49.0	25.0	46	M 30	M 30 x 1.5	M 30 x 2	7/8	1000 / 1081
60.5	53.0	27.0	50		M 32 x 1.5			1000 / 1414
					M 33 x 1.5	M 33 x 2		1000 / 1414
67.0	55.5	30.0	55		M 35 x 1.5			1000 / 1811
				M 36	M 36 x 1.5	M 36 x 3		1000 / 1811
72.0	60.0	38.0	60	M 39	M 38 x 1.5			1000 / 3762
					M 39 x 1.5	M 39 x 3		1000 / 3762
					M 40 x 1.5			1000 / 3762
76.6	63.0	42.0	65	M 42	M 42 x 1.5	M 42 x 3		1000 / 3763
85.5	73.0	38.0	70	M 45				1000 / 6706
91.6	78.5	41.0	75				1 1/2	1000 / 8638
98.0	83.4	43.5	80				1 3/4	1000 / 8639
116.7	102.0	55.0	95				2 1/4	1000 / 8641



Your KAPSTO® quality benefits:



**Robust:**  
Thick-walled design  
for higher demands.



**Additional information:**  
Protection for nuts and bolts.  
Optimum corrosion protection.  
The cylindrical outer contour  
prevents the application of  
spanners.

**Material:** PE-LD  
**Colour:** Black

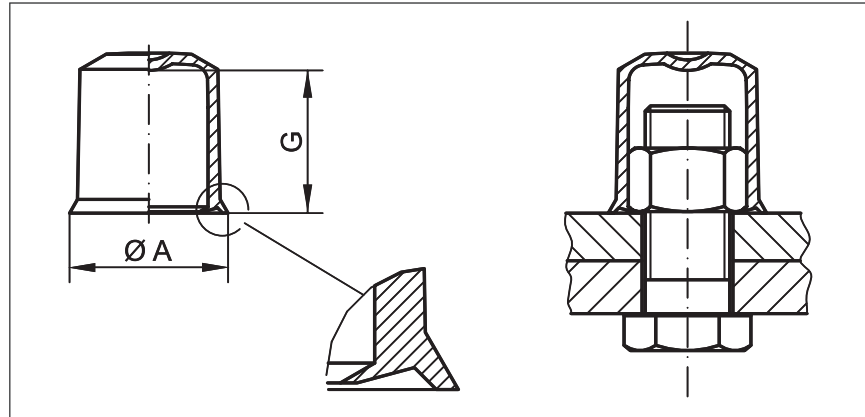
Size in mm

Colour and material alternatives, additional sizes, bespoke designs and technical cleanliness on request. For more information about materials, colours, drawings and application of our items, please see page 114/115.

>> You also might be interested in the following products: GPN 1010, GPN 1050

# Snap-on Caps

## GPN 1010



### Additional information:

Protection for nuts and bolts. Optimum corrosion protection. Designed for greater bolt length. The circumferential rim snaps in place beneath the nut.

**Material:** PE-LD

**Colour:** Black

Dimensions		Suitable for hexagon nuts				Order no.
A	G	Spanner width (width across flat)	Metric threads		Pipe thread	
12.0	10.2	8	M 5			1010 SW 8
15.0	13.5	10	M 6			1010 SW 10
19.0	18.5	13	M 8	M 8 x 1		1010 SW 13
24.4	25.0	17	M 10	M 10 x 1		1010 SW 17
27.0	27.7	19	M 12	M 12 x 1.5		1010 SW 19
30.5	33.0	22	M 14	M 14 x 1.5		1010 SW 22
33.5	36.6	24	M 16	M 16 x 1.5		1010 SW 24
41.0	47.0	30	M 20	M 20 x 1.5	M 20 x 2	1010 SW 30
49.3	56.5	36	M 24	M 24 x 1.5	M 24 x 2	1010 SW 36

Size in mm

Colour and material alternatives, additional sizes, bespoke designs and technical cleanliness on request. For more information about materials, colours, drawings and application of our items, please see page 114/115.

>> You also might be interested in the following products: GPN 1000, GPN 1050



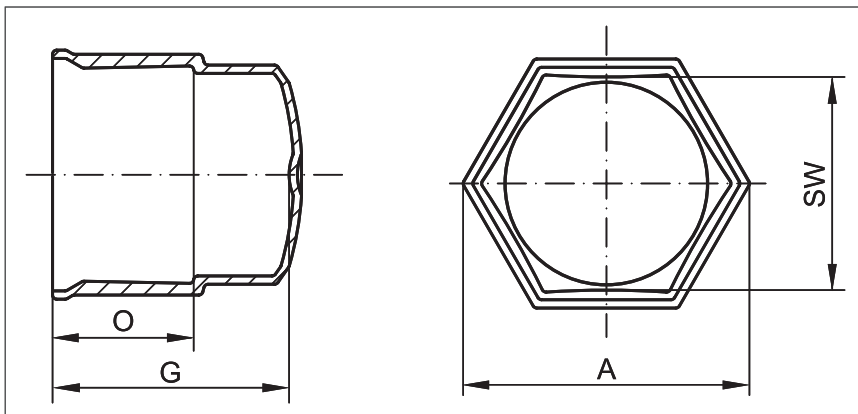
**PÖPPELMANN**

We will be happy to advise you: +49 4442 982-9166

**KAPSTO®**

# Hexagonal Caps

## GPN 1050



Dimensions			Suitable for Spanner width (width across flat)	Order no.
A	G	O		
19.6	26.3	14.5	14	1050 SW 14
23.1	26.3	14.5	17	1050 SW 17
25.2	27.1	15.5	19	1050 SW 19
28.7	26.9	15.5	22	1050 SW 22
30.5	28.5	17.0	24	1050 SW 24
34.5	28.2	17.0	27	1050 SW 27
38.0	28.4	17.0	30	1050 SW 30
40.3	28.4	17.0	32	1050 SW 32
44.9	28.3	17.0	36	1050 SW 36
50.7	29.5	18.0	41	1050 SW 41
56.4	30.0	19.0	46	1050 SW 46
61.0	30.5	19.5	50	1050 SW 50
72.6	31.0	20.0	60	1050 SW 60



Size in mm

Colour and material alternatives, additional sizes, bespoke designs and technical cleanliness on request. For more information about materials, colours, drawings and application of our items, please see page 114/115.

>> You also might be interested in the following products: [GPN 1000](#), [GPN 1010](#)



**Additional information:** For hose ends with union nut and hexagonal nut. These products provide effective protection against contamination, damage, corrosion and injuries.

**Material:** PE-LLD

**Colour:** Black



**PÖPPELMANN**

Contact, product search, CAD data download and sample requests: [www.poeppele.com](http://www.poeppele.com)

**KAPSTO®**



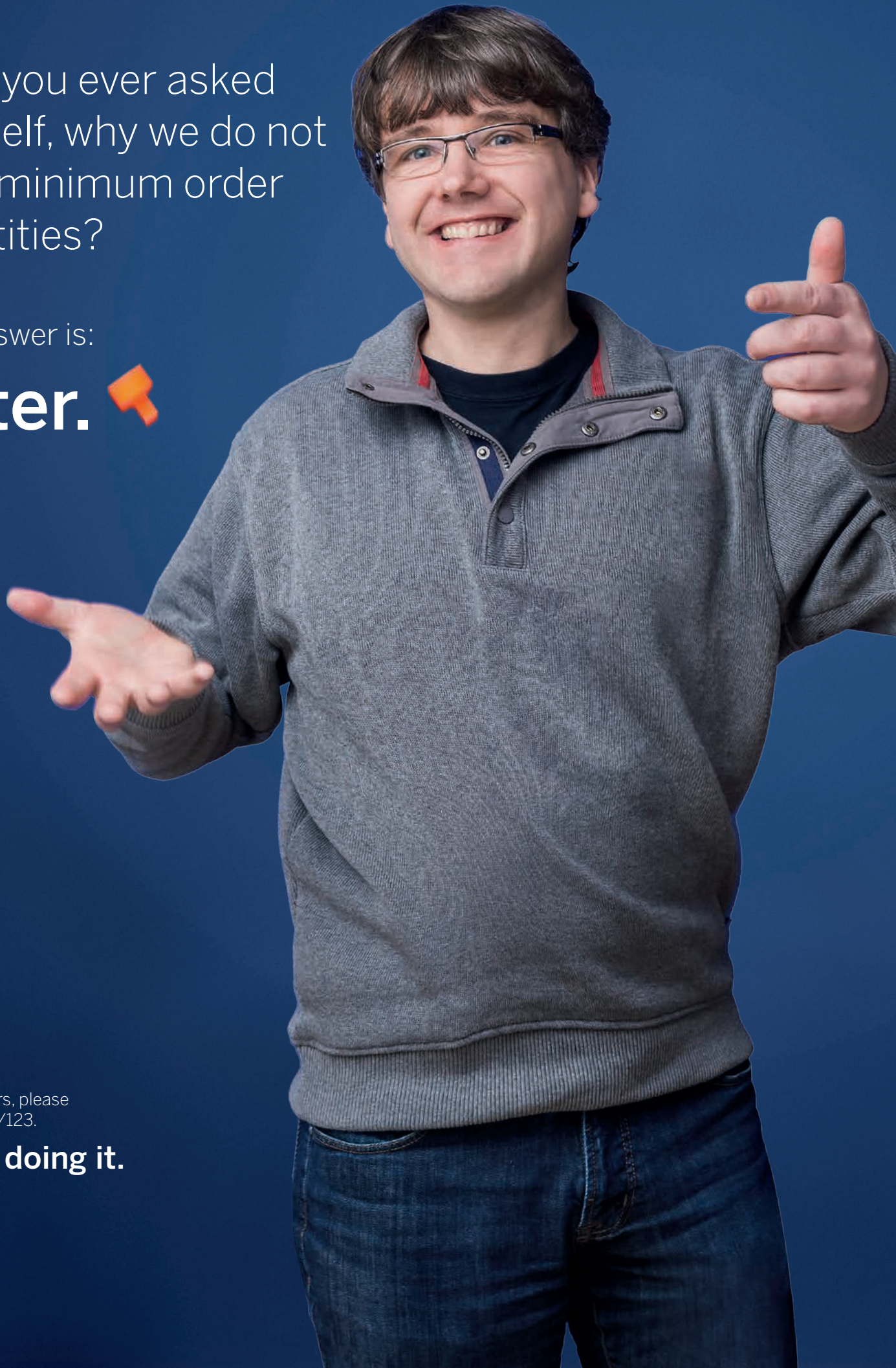
Have you ever asked yourself, why we do not have minimum order quantities?

One answer is:

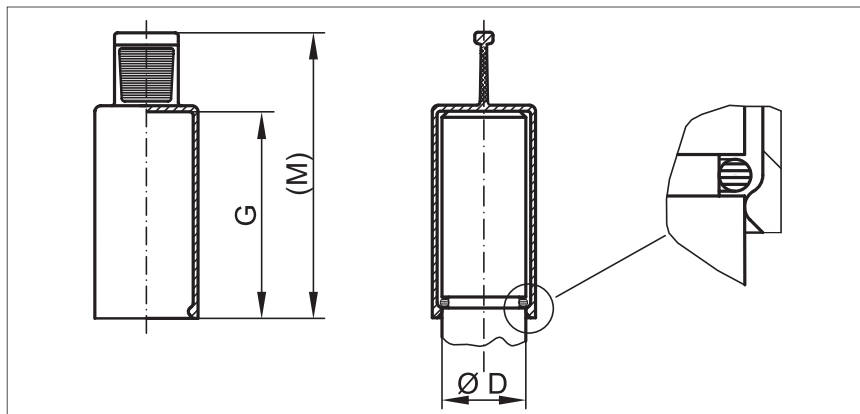
**Peter.** 

For all answers, please see page 122/123.

**We are doing it.**



# Grip Caps GPN 210



Suitable for external diameter			
D	G	(M)	Order no.
4.0	21.1	34.2	210 ZL 4 x 21
5.0	20.0	36.5	210 ZL 5 x 20
6.0	10.0	26.5	210 ZL 6 x 10
6.0	20.0	36.5	210 ZL 6 x 20
7.0	20.0	37.0	210 ZL 7 x 20
8.0	10.0	26.5	210 ZL 8 x 10
8.0	20.0	36.5	210 ZL 8 x 20
9.0	20.0	36.5	210 ZL 9 x 20
10.0	10.0	26.5	210 ZL 10 x 10
10.0	20.0	36.5	210 ZL 10 x 20
11.0	20.0	36.5	210 ZL 11 x 20
12.0	10.0	26.5	210 ZL 12 x 10
12.0	20.0	36.5	210 ZL 12 x 20
12.0	30.0	46.5	210 ZL 12 x 30
13.0	20.0	36.5	210 ZL 13 x 20
14.0	10.0	26.5	210 ZL 14 x 10
14.0	20.0	36.5	210 ZL 14 x 20
15.0	20.0	36.5	210 ZL 15 x 20
16.0	10.0	26.5	210 ZL 16 x 10
16.0	20.0	36.5	210 ZL 16 x 20
17.0	20.0	36.5	210 ZL 17 x 20
18.0	10.0	26.5	210 ZL 18 x 10
18.0	20.0	36.5	210 ZL 18 x 20
19.0	20.0	36.5	210 ZL 19 x 20
20.0	10.0	26.5	210 ZL 20 x 10
20.0	20.0	36.5	210 ZL 20 x 20
20.0	30.0	46.5	210 ZL 20 x 30
22.0	20.0	36.5	210 ZL 22 x 20
24.0	20.0	36.5	210 ZL 24 x 20

Size in mm

Colour and material alternatives, additional sizes, bespoke designs and technical cleanliness on request. For more information about materials, colours, drawings and application of our items, please see page 114/115.

>> You also might be interested in the following products: GPN 211, GPN 215, GPN 240



## Your KAPSTO® quality benefits:



**Time-saving:** With ergonomically designed removal tab for easy handling.



**Technical cleanliness:** Production in accordance with VDA Band 19 and ISO 16232 in our specially equipped cleanroom on request. For more information, please see page 116/117.



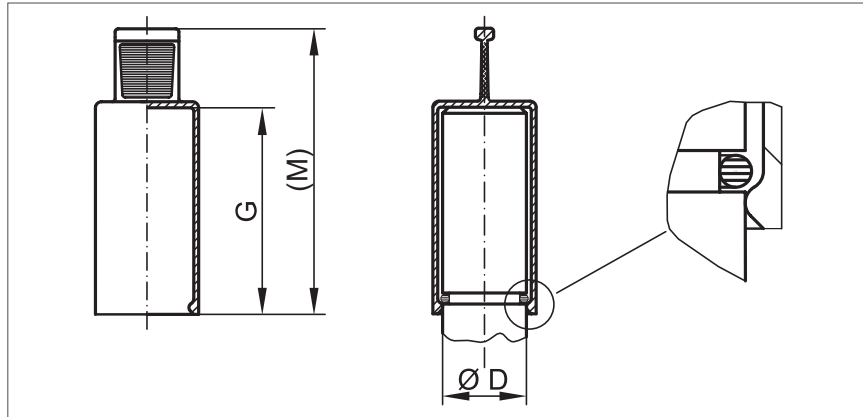
**Additional information:** Suitable for pipe ends, hoses and studs. With circumferential sealing lip for a firm fit.

**Material:** EVA, free from plasticisers  
**Colour:** Yellow



# Flexible Grip Caps

## GPN 211



Suitable for external diameter			
D	G	(M)	Order no.
4.0 – 5.0	21.0	34.0	211 ZL 4 x 21
5.0 – 6.0	20.0	36.0	211 ZL 5 x 20
6.0 – 7.5	10.0	26.0	211 ZL 6 x 10
6.0 – 7.5	20.0	36.0	211 ZL 6 x 20
7.0 – 8.0	20.0	37.0	211 ZL 7 x 20
7.9 – 9.0	10.0	26.0	211 ZL 8 x 10
7.9 – 9.0	20.0	36.0	211 ZL 8 x 20
9.0 – 10.5	20.0	36.0	211 ZL 9 x 20
9.9 – 11.5	10.0	26.0	211 ZL 10 x 10
9.9 – 11.5	20.0	36.0	211 ZL 10 x 20
10.9 – 12.5	20.0	36.0	211 ZL 11 x 20
11.9 – 13.0	10.0	26.0	211 ZL 12 x 10
11.9 – 13.0	20.0	36.0	211 ZL 12 x 20
11.9 – 13.0	30.0	46.5	211 ZL 12 x 30
12.9 – 15.0	20.0	36.0	211 ZL 13 x 20
13.9 – 16.0	10.0	26.0	211 ZL 14 x 10

### Your KAPSTO® quality benefits:



**Time-saving:** With ergonomically designed removal tab for easy handling.



**Temperature resistant:** Heat-resistant to 150 °C. More details: page 115, "Physical properties".



**Multifunctional:** Suitable for different diameters due to flexible material.



**Additional information:** Suitable for pipe ends, hoses and studs. With circumferential sealing lip for a firm fit.

**Material:** TPE, free from plasticisers

**Colour:** Yellow

Size in mm

► Continued on page 41

Colour and material alternatives, additional sizes, bespoke designs and technical cleanliness on request. For more information about materials, colours, drawings and application of our items, please see page 114/115.



**PÖPPELMANN**

We will be happy to advise you: +49 4442 982-9166

**KAPSTO®**

# Flexible Grip Caps

## GPN 211

► Continued from page 40

Suitable for external diameter D	G	(M)	Order no.
13,9 – 16,0	20,0	36,0	211 ZL 14 x 20
14,9 – 17,0	20,0	36,0	211 ZL 15 x 20
15,9 – 18,0	10,0	26,0	211 ZL 16 x 10
15,9 – 18,0	20,0	36,0	211 ZL 16 x 20
16,9 – 19,0	20,0	36,0	211 ZL 17 x 20
17,9 – 20,0	10,0	26,0	211 ZL 18 x 10
17,9 – 20,0	20,0	36,0	211 ZL 18 x 20
18,9 – 21,0	20,0	36,0	211 ZL 19 x 20
20,0 – 22,0	10,0	26,0	211 ZL 20 x 10
20,0 – 22,0	20,0	36,0	211 ZL 20 x 20
20,0 – 22,0	30,0	45,0	211 ZL 20 x 30
22,0 – 24,0	20,0	36,0	211 ZL 22 x 20
24,0 – 26,0	20,0	35,0	211 ZL 24 x 20

Size in mm

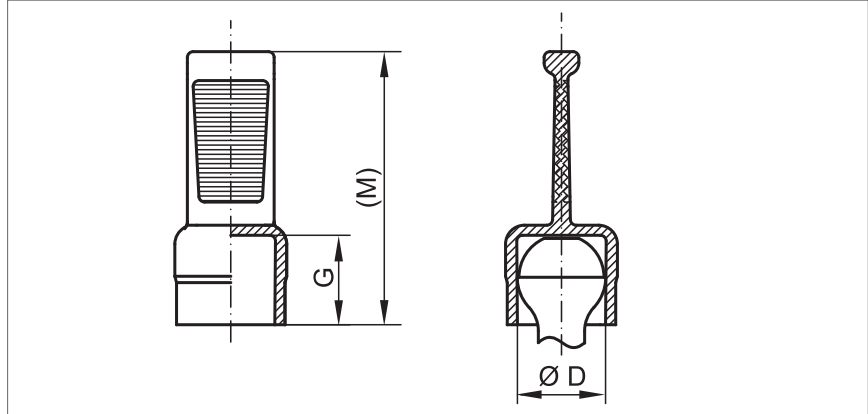
Colour and material alternatives, additional sizes, bespoke designs and technical cleanliness on request. For more information about materials, colours, drawings and application of our items, please see page 114/115.



## Grip Caps

## GPN 212

NEW



Suitable for external diameter D	G	(M)	Order no.
8.0 – 8.8	7.8	23.3	212 FM 76
8.0 – 9.0	10.1	25.4	212 FM 77
9.4 – 10.1	11.1	26.8	212 FM 88*
10.3 – 11.2	8.7	24.2	212 FM 102

Size in mm

Colour and material alternatives, additional sizes, bespoke designs and technical cleanliness on request. For more information about materials, colours, drawings and application of our items, please see page 114/115.

Dimension G and M are not subject to DIN ISO 3302-1.

\*This size will be delivered with interior surfaces.

>> You also might be interested in the following products: GPN 207, GPN 211

## Your KAPSTO® quality benefits:



**Time-saving:** With ergonomically designed removal tab for easy handling.



**Temperature resistant:** Heat-resistant to 150 °C. More details: page 115, "Physical properties".



**Multifunctional:** Suitable for different diameters due to flexible material.



**Additional information:** Particularly suitable for ball linings.

**Material:** TPE, free from plasticisers

**Colour:** Yellow



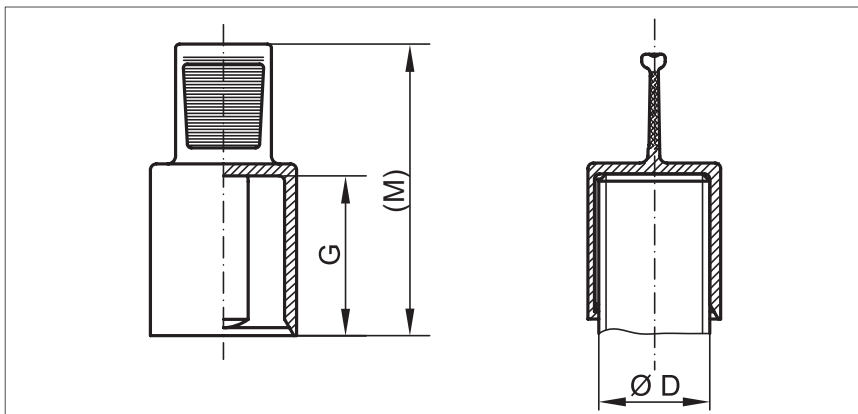
PÖPPELMANN

We will be happy to advise you: +49 4442 982-9166

KAPSTO®

# Grip Caps

## GPN 215



Suitable for external diameter			
D	G	(M)	Order no.
8.0	20.0	36.5	215 ML 8 x 20
10.0	20.0	36.5	215 ML 10 x 20
12.0	20.0	36.5	215 ML 12 x 20
14.0	20.0	36.5	215 ML 14 x 20
16.0	20.0	36.5	215 ML 16 x 20
17.0	20.0	36.5	215 ML 17 x 20
18.0	20.0	36.5	215 ML 18 x 20
19.0	20.0	36.5	215 ML 19 x 20
20.0	20.0	36.5	215 ML 20 x 20
22.0	20.0	36.5	215 ML 22 x 20
24.0	20.0	36.5	215 ML 24 x 20

Size in mm

Colour and material alternatives, additional sizes, bespoke designs and technical cleanliness on request. For more information about materials, colours, drawings and application of our items, please see page 114/115.

## Application Guide

Suitable for metric threads				Order no.	
Standard thread	Fine thread				
M 8	M 8 x 1			215 ML 8 x 20	
M 10	M 10 x 1	M 10 x 1.25		215 ML 10 x 20	
M 12	M 12 x 1	M 12 x 1.25	M 12 x 1.5	215 ML 12 x 20	
M 14	M 14 x 1		M 14 x 1.5	215 ML 14 x 20	
M 16	M 16 x 1		M 16 x 1.5	215 ML 16 x 20	
	M 17 x 1		M 17 x 1.5	215 ML 17 x 20	
M 18	M 18 x 1		M 18 x 1.5	215 ML 18 x 20	
M 20	M 20 x 1		M 20 x 1.5	215 ML 20 x 20	
M 22	M 22 x 1		M 22 x 1.5	M 22 x 2	215 ML 22 x 20
M 24	M 24 x 1		M 24 x 1.5	M 24 x 2	215 ML 24 x 20

This application table is a guide only. We will be happy to send you free samples for testing.

>> You also might be interested in the following products: GPN 205, GPN 211, GPN 255



### Your KAPSTO® quality benefits:



**Time-saving:** With ergonomically designed removal tab for easy handling.



**Multifunctional:** Interior surfaces accommodate major tolerances, ensuring a tight fit.



**Technical cleanliness:** Production in accordance with VDA Band 19 and ISO 16232 in our specially equipped cleanroom on request. For more information, please see page 116/117.



**Additional information:** Suitable for external threads and studs.

**Material:** EVA, free from plasticisers  
**Colour:** Black



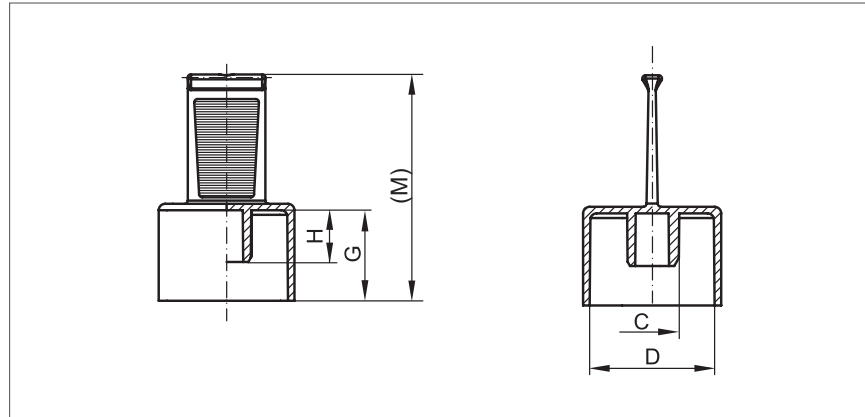
**PÖPPELMANN**

Contact, product search, CAD data download and sample requests: [www.poeppele.com](http://www.poeppele.com)

**KAPSTO®**

# Grip Caps

## GPN 220



Dimensions					Order no.
Inner application		External application			
D	C	(M)	G	H	
19.0	6.1	35.0	14.0	8.0	220 / 0614
19.0	7.6	35.0	14.0	8.0	220 / 0714
19.0	8.2	35.0	14.0	8.0	220 / 0814
19.0	9.1	35.0	14.0	8.0	220 / 0914
19.0	10.2	35.0	14.0	8.0	220 / 1014
19.0	10.0	40.5	19.5	8.0	220 / 1020
28.0	18.4	37.0	16.0	13.0	220 / 1816

Size in mm

Colour and material alternatives, additional sizes, bespoke designs and technical cleanliness on request. For more information about materials, colours, drawings and application of our items, please see page 114/115.

### Your KAPSTO® quality benefits:



**Time-saving:** With ergonomically designed removal tab for easy handling.



**Technical cleanliness:** Production in accordance with VDA Band 19 and ISO 16232 in our specially equipped cleanroom on request. For more information, please see page 116/117.



**Additional information:** Protection for braze-on port fittings. The cap is protecting the o-ring without touching it and provides limited sealing action against an ingress or outflow of fluids.

**Material:** PE-LLD

**Colour:** Orange

>> You also might be interested in the following products: GPN 210, GPN 211, GPN 215

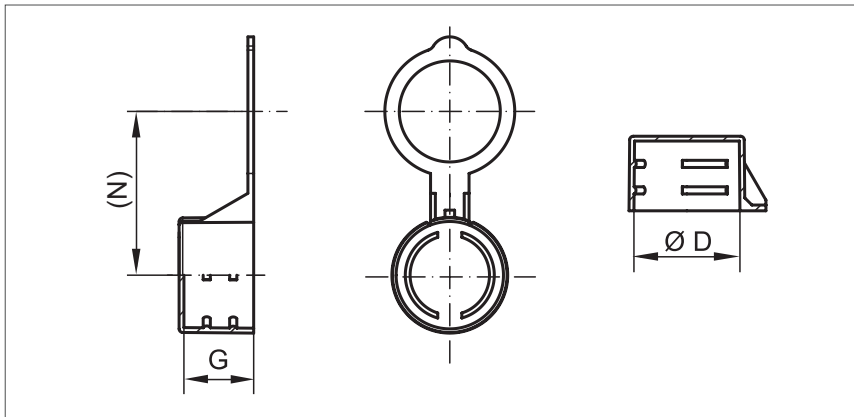


**PÖPPELMANN**

We will be happy to advise you: +49 4442 982-9166

**KAPSTO®**

# Fast-fit Caps GPN 940



Suitable for external		G	(N)	Order no.
Diameter D	Thread			
21.3	W 21.80 x 1/14	14.5	34.0	940 SV 21.3
26.0	W 24.32 x 1/14	14.5	36.8	940 SV 26.0
23.9	G 3/4	14.5	35.0	940 SV 23.9

Size in mm

Colour and material alternatives, additional sizes, bespoke designs and technical cleanliness on request. For more information about materials, colours, drawings and application of our items, please see page 114/115.

>> You also might be interested in the following products: GPN 205, GPN 600



## Your KAPSTO® quality benefits:



### Standard protection:

Tamper-evident closure for valves in accordance with DIN 477-1.



**Time-saving:** Particularly fast and easy to remove.



### Additional information:

With ventilation tab for safe leakage. Also suitable for external threads and studs.

**Material:** PE-LD

**Colour:** Yellow



Have you ever asked  
yourself, why with every  
call you will receive  
professional advice?

One answer is:

**Stefan.**

For all answers, please  
see page 122/123.

**We are doing it.**

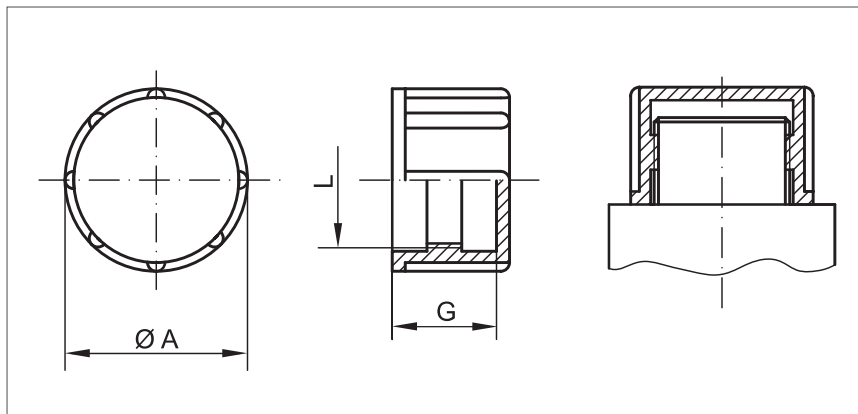




# Screw Caps

## GPN 800

with metric threads



Suitable for thread L	Dimensions		Order no.
	A	G	
M 8	12.0	8.0	800 M 8
M 10	14.0	8.0	800 M 10
M 12	16.0	12.0	800 M 12
M 14	18.0	12.0	800 M 14
M 16	21.0	12.0	800 M 16
M 18	22.0	12.0	800 M 18
M 20	25.0	14.0	800 M 20
M 22	28.0	14.0	800 M 22
M 24	32.0	14.0	800 M 24
M 27	35.0	14.0	800 M 27
M 30	38.0	14.0	800 M 30
M 8 x 1	12.0	8.0	800 M 8 x 1
M 10 x 1	14.0	8.0	800 M 10 x 1
M 12 x 1	16.0	12.0	800 M 12 x 1
M 12 x 1.5	16.0	12.0	800 M 12 x 1.5
M 14 x 1.5	18.0	12.0	800 M 14 x 1.5
M 16 x 1.5	21.0	12.0	800 M 16 x 1.5
M 18 x 1.5	22.0	12.0	800 M 18 x 1.5
M 20 x 1.5	25.0	14.0	800 M 20 x 1.5
M 22 x 1.5	28.0	14.0	800 M 22 x 1.5
M 23 x 1.5	29.0	22.0	800 M 23 x 1.5
M 24 x 1.5	30.0	14.0	800 M 24 x 1.5
M 25 x 1.5	33.0	14.0	800 M 25 x 1.5
M 26 x 1.5	34.0	11.0	800 M 26 x 1.5
M 28 x 1.5	34.5	28.0	800 M 28 x 1.5
M 30 x 1.5	36.0	14.0	800 M 30 x 1.5
M 36 x 1.5	44.0	17.0	800 M 36 x 1.5
M 45 x 1.5	53.0	15.0	800 M 45 x 1.5
M 22 x 2	28.0	14.0	800 M 22 x 2
M 30 x 2	38.0	14.0	800 M 30 x 2
M 36 x 2	44.0	17.0	800 M 36 x 2
M 42 x 2	50.0	15.0	800 M 42 x 2
M 45 x 2	53.0	15.0	800 M 45 x 2
M 52 x 2	60.0	15.0	800 M 52 x 2

Size in mm

Colour and material alternatives, additional sizes, bespoke designs and technical cleanliness on request. For more information about materials, colours, drawings and application of our items, please see page 114/115.

>> You also might be interested in the following products: [GPN 205](#), [GPN 215](#), [GPN 804](#)



### Additional information:

Suitable for a variety of different thread types. Easy to grip external rib for easy mounting and removal by hand.

**Material:** PE-HD

**Colour:** Yellow



**PÖPPELMANN**

Contact, product search, CAD data download and sample requests: [www.poeppelemann.com](http://www.poeppelemann.com)

**KAPSTO®**

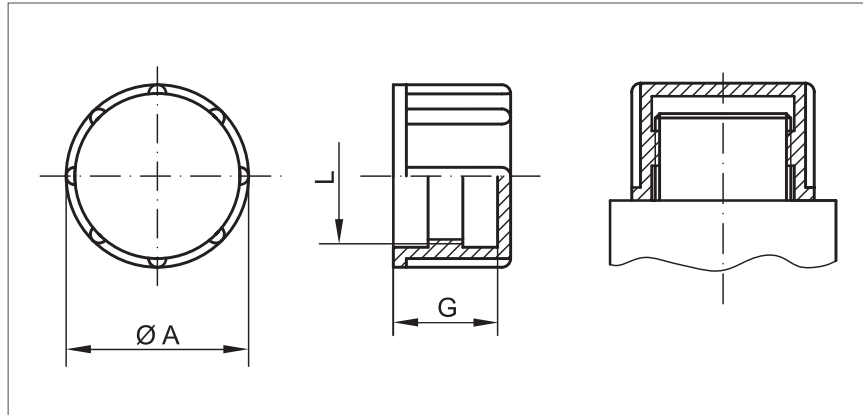
# Screw Caps

## GPN 800

for pipe threads

**Material:** PE-HD

**Colour:** Yellow



Suitable for thread L	Dimensions		Order no.
	A	G	
G 1/8	14.0	8.0	800 G 1/8
G 1/4	18.0	12.0	800 G 1/4
G 3/8	21.0	12.0	800 G 3/8
G 1/2	25.0	14.0	800 G 1/2
G 5/8	28.0	14.0	800 G 5/8
G 3/4	32.0	14.0	800 G 3/4
G 1	39.0	14.0	800 G 1
G 1 1/4	47.7	17.7	800 G 1 1/4
G 1 1/2	56.0	17.0	800 G 1 1/2
G 2	68.0	18.0	800 G 2
G 2 1/2	80.9	18.0	800 G 2 1/2

Size in mm

Colour and material alternatives, additional sizes, bespoke designs and technical cleanliness on request. For more information about materials, colours, drawings and application of our items, please see page 114/115.

# Screw Caps

## GPN 800

with imperial threads

**Material:** PE-HD

**Colour:** Yellow

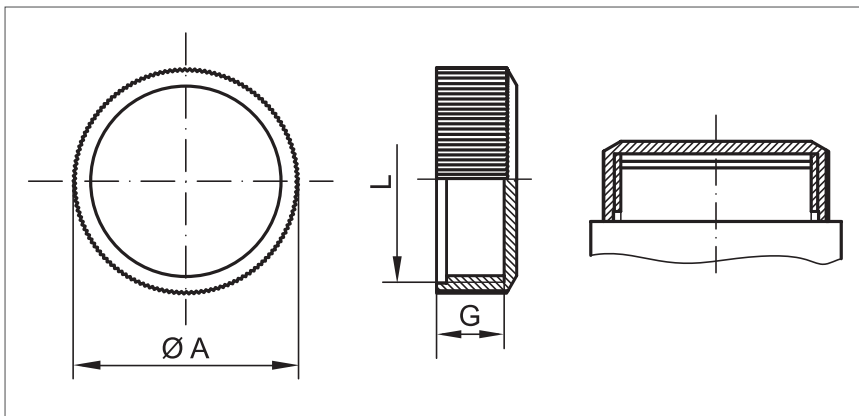
Suitable for thread L	Dimensions		Order no.
	A	G	
1/4 - 28 UNF	12.0	8.0	800 1/4 - 28 UNF
7/16 - 20 UNF	15.0	12.0	800 7/16 - 20 UNF
1/2 - 20 UNF	18.0	15.0	800 1/2 - 20 UNF
9/16 - 18 UNF	18.0	12.0	800 9/16 - 18 UNF
5/8 - 18 UNF	19.3	14.2	800 5/8 - 18 UNF
3/4 - 16 UNF	24.0	18.0	800 3/4 - 16 UNF
13/16 - 16 UN	26.0	12.0	800 13/16 - 16 UN
7/8 - 14 UNF	27.0	20.0	800 7/8 - 14 UNF
1 - 14 UNS	33.0	14.0	800 1 - 14 UNS
1 1/16 - 12 UN	34.0	23.0	800 1 1/16 - 12 UN
1 1/16 - 16 UN	34.0	14.0	800 1 1/16 - 16 UN
1 3/16 - 20 UN	38.0	14.0	800 1 3/16 - 20 UN
1 1/4 - 12 UNF	38.0	14.0	800 1 1/4 - 12 UNF
1 5/16 - 12 UN	40.0	24.0	800 1 5/16 - 12 UN
1 5/8 - 12 UN	50.0	17.0	800 1 5/8 - 12 UN
1 7/8 - 12 UN	55.0	17.0	800 1 7/8 - 12 UN
2 1/4 - 12 UN	66.0	18.0	800 2 1/4 - 12 UN
2 1/2 - 12 UN	72.0	18.0	800 2 1/2 - 12 UN

Size in mm

Colour and material alternatives, additional sizes, bespoke designs and technical cleanliness on request. For more information about materials, colours, drawings and application of our items, please see page 114/115.

# Screw Caps

## GPN 801



Suitable for thread L	Dimensions		Order no.
	A	G	
M 16 x 1	19.0	5.0	801 M 16 x 1
M 12 x 1.5	15.0	7.0	801 M 12 x 1.5
M 14 x 1.5	17.0	7.0	801 M 14 x 1.5
M 16 x 1.5	20.0	7.0	801 M 16 x 1.5
M 18 x 1.5	21.0	9.0	801 M 18 x 1.5
M 22 x 1.5	25.0	9.0	801 M 22 x 1.5
M 26 x 1.5	29.0	10.0	801 M 26 x 1.5
M 30 x 1.5	33.0	10.0	801 M 30 x 1.5
M 30 x 2	33.0	10.0	801 M 30 x 2
M 36 x 2	39.0	10.0	801 M 36 x 2

Size in mm

Colour and material alternatives, additional sizes, bespoke designs and technical cleanliness on request. For more information about materials, colours, drawings and application of our items, please see page 114/115.

>> You also might be interested in the following products: GPN 205, GPN 215, GPN 800



### Your KAPSTO® quality benefits:



**Time-saving:**  
Flat design for  
faster installation.



**Additional information:**  
Suitable for outer threads.  
Easy-to-grip external rib for  
easy mounting and removal  
by hand.

**Material:** PE-LD  
**Colour:** Natural



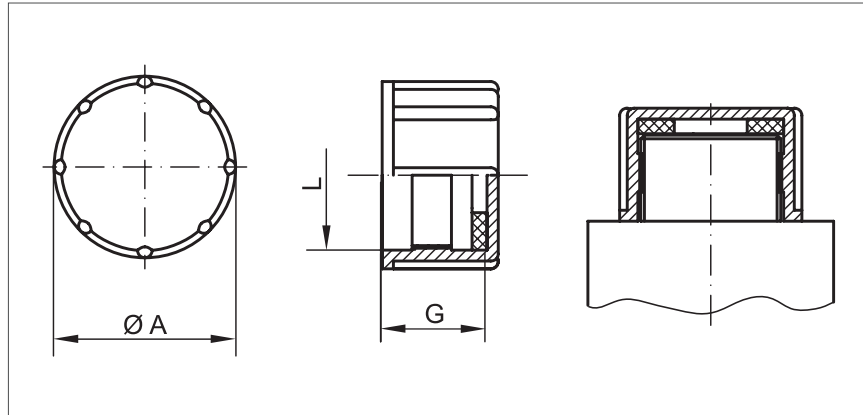
**PÖPPELMANN**

Contact, product search, CAD data download and sample requests: [www.poeppele.com](http://www.poeppele.com)

**KAPSTO®**

# Screw Caps with Sealing Ring

## GPN 804



Suitable for thread L	Dimensions		Order no.
	A	G	
M 8 x 1	12.0	8.0	804 M 8 x 1
M 12 x 1	16.0	12.0	804 M 12 x 1
M 12 x 1.5	16.0	12.0	804 M 12 x 1.5
M 14 x 1.5	18.0	12.0	804 M 14 x 1.5
M 16 x 1.5	21.0	12.0	804 M 16 x 1.5
M 18 x 1.5	22.0	12.0	804 M 18 x 1.5
M 20 x 1.5	25.0	14.0	804 M 20 x 1.5
M 22 x 1.5	28.0	14.0	804 M 22 x 1.5
M 24 x 1.5	29.0	14.0	804 M 24 x 1.5
M 26 x 1.5	30.0	14.0	804 M 26 x 1.5
M 36 x 1.5	44.0	12.0	804 M 36 x 1.5
M 45 x 1.5	53.0	15.0	804 M 45 x 1.5
M 30 x 2	38.0	14.0	804 M 30 x 2
M 36 x 2	44.0	17.0	804 M 36 x 2
M 42 x 2	50.0	15.0	804 M 42 x 2
M 45 x 2	53.0	15.0	804 M 45 x 2
M 52 x 2	60.0	15.0	804 M 52 x 2
G 1/4	18.0	12.0	804 G 1/4
G 3/8	21.0	12.0	804 G 3/8
G 1/2	25.0	14.0	804 G 1/2
G 3/4	32.0	14.0	804 G 3/4
G 1	39.0	14.0	804 G 1
G 1 1/4	47.7	17.7	804 G 1 1/4
9/16 18 UNF	18.0	12.0	804 9/16 18 UNF
3/4 16 UNF	24.0	18.0	804 3/4 16 UNF

### Your KAPSTO® quality benefits:



**Leak-proof:** Same design as GPN 800 but with sealing ring for increased sealing properties.



**Additional information:** Suitable for a variety of different thread types. Easy to grip external rib for easy mounting and removal by hand.

**Material:** PE-HD  
**Colour:** Yellow

Size in mm

Colour and material alternatives, additional sizes, bespoke designs and technical cleanliness on request. For more information about materials, colours, drawings and application of our items, please see page 114/115.

>> You also might be interested in the following products: GPN 205, GPN 215, GPN 800



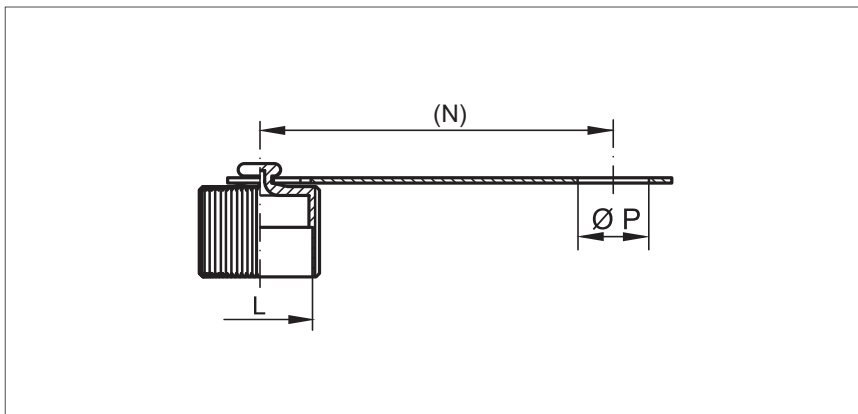
**PÖPPELMANN**

We will be happy to advise you: +49 4442 982-9166

**KAPSTO®**

# Protective Dust Caps

## GPN 930 Type B



Suitable for nominal size	Dimensions			Order no.
	L	(N)	P	
DN 6 + 8	M 28 x 2	100.0	20.0	930 / 10074*
DN 10 + 12	M 36 x 2	110.0	24.0	930 / 10078*
DN 10 + 12	M 36 x 2	135.0	29.5	930 / 10031
DN 16 + 20	RD 48 x 3	145.0	41.0	930 / 10082*
DN 25 + 32	RD 70 x 3	200.0	55.0	930 / 10086*

Size in mm

Colour and material alternatives, additional sizes, bespoke designs and technical cleanliness on request. For more information about materials, colours, drawings and application of our items, please see page 114/115.

\*Strap eye not slotted.

>> You also might be interested in the following products:  
GPN 920 Form A, GPN 920 Form B, GPN 930 Form A



### Your KAPSTO® quality benefits:



#### Standard protection:

Protect open couplings and particularly their thread.



#### Leak-proof:

Provides limited sealing action against an ingress or outflow of fluids.



#### Additional information:

Self-retaining design due to integral strap.

**Material:** PE-HD

**Material Strap:** PE-LLD

**Colour:** Red



**PÖPPELMANN**

Contact, product search, CAD data download and sample requests: [www.poeppelemann.com](http://www.poeppelemann.com)

**KAPSTO®**



Did you know, why we  
have more than 3,000  
caps and plugs available  
from stock?

One answer is:

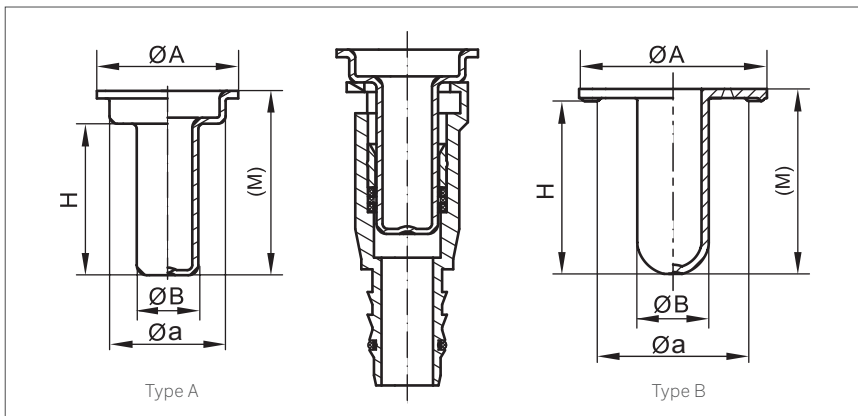
**Günter.**



For all answers, please  
see page 122/123.

**We are doing it.**

# QC-Plugs GPN 245

**NEW**


Type A

Type	Suitable for external SAE couplings		Dimensions					Order no.
	Nominal width mm	Nominal width inch	A	a	B	H	(M)	
B	6.35	1/4	31.6	28.6	6.35	25.3	26.8	245 QCL 6.35
A	8	5/16	26.0	22.0	7.6	27.0	33.0	245 QC 8
B	9.5	3/8	30.8	24.8	9.5	25.8	27.3	245 QCL 9.5
A	10	7/16	23.0	18.0	9.6	30.0	34.0	245 QC 10
B	12		38.0	32.0	11.8	29.2	30.7	245 QCL 12
A	12.7	1/2	28.0	23.0	12.2	30.0	36.5	245 QC 12.7
A	14.24		32.0	28.0	13.4	28.0	34.5	245 QC 14.24
A	15.9		34.0	30.0	15.7	35.0	43.0	245 QC 15.9

Size in mm

Colour and material alternatives, additional sizes, bespoke designs and technical cleanliness on request. For more information about materials, colours, drawings and application of our items, please see page 114/115.

>> You also might be interested in the following products: GPN 210, GPN 211, GPN 240



Type B

## Your KAPSTO® quality benefits:



### Standard Protection:

Suitable for SAE quick connectors.



**Leak-proof:** Suitable for limited pressure testing.



### Technical cleanliness:

Production in accordance with VDA Band 19 and ISO 16232 in our specially equipped cleanroom on request. For more information, please see page 116/117.



### Additional information:

Clamping is carried out gently and safely on the internal sealing rings of the connector.

**Material Type A:** PE-HD

**Material Type B:** PE-LD

**Colour:** Natural


**PÖPPELMANN**

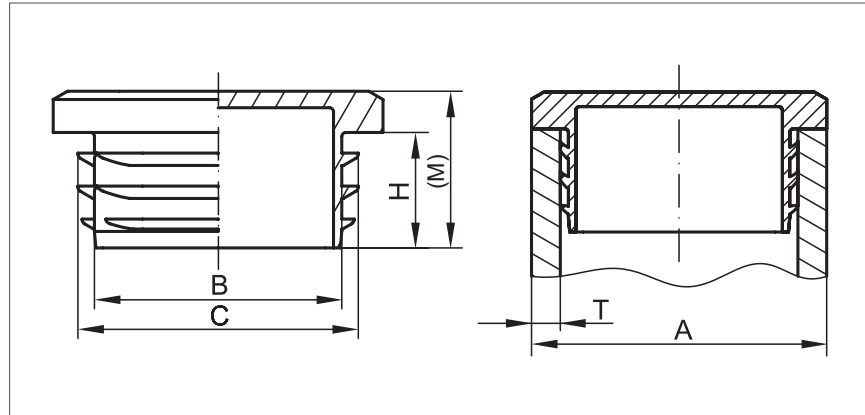
Contact, product search, CAD data download and sample requests: [www.poeppelemann.com](http://www.poeppelemann.com)

**KAPSTO®**



# Square Plugs

## GPN 260



### Your KAPSTO® quality benefits:



#### Robust:

Reinforced head area for higher demands.



#### Additional information:

For closing of section tubes. Distinctive external ribs provide a secure press fit. High visual appeal due to grained top surface finish and chamfered edges.

**Material:** PE-LLD

**Colour:** Black

Suitable for pipe dimensions		Dimensions				Order no.	
External A	Wall thickness T	B	C	H	(M)		
12 x 12	1.5 - 2	7.0	10.0	11.0	15.0	260 Q 1212	1.5 - 2
15 x 15	1.5 - 2	10.0	13.0	11.0	15.0	260 Q 1515	1.5 - 2
16 x 16	1.5 - 2	11.0	14.0	11.0	15.0	260 Q 1616	1.5 - 2
18 x 18	1.5 - 2	13.0	16.0	11.0	15.0	260 Q 1818	1.5 - 2
20 x 20	1.5 - 2	15.0	18.0	11.0	15.0	260 Q 2020	1.5 - 2
22 x 22	1.5 - 2	16.0	20.0	14.0	19.0	260 Q 2222	1.5 - 2
25 x 25	1.5 - 2	19.0	23.0	14.0	19.0	260 Q 2525	1.5 - 2
25 x 25	3	17.0	21.0	14.0	19.0	260 Q 2525	3
30 x 30	1.5 - 2	24.0	28.0	14.0	19.0	260 Q 3030	1.5 - 2
30 x 30	3	22.0	26.0	14.0	19.0	260 Q 3030	3
34 x 34	1.5 - 2	28.0	32.0	14.0	19.0	260 Q 3434	1.5 - 2
34 x 34	3	26.0	30.0	14.0	19.0	260 Q 3434	3
40 x 40	1.5 - 2	34.0	38.0	14.0	19.0	260 Q 4040	1.5 - 2
40 x 40	3	32.0	36.0	14.0	19.0	260 Q 4040	3
40 x 40	4	30.0	34.0	14.0	19.0	260 Q 4040	4
40 x 40	5	28.0	32.0	14.0	19.0	260 Q 4040	5
45 x 45	1.5 - 2	39.0	43.0	14.0	19.0	260 Q 4545	1.5 - 2
50 x 50	1.5 - 2	44.0	48.0	14.0	19.0	260 Q 5050	1.5 - 2
50 x 50	3	42.0	46.0	14.0	19.0	260 Q 5050	3
50 x 50	5	38.0	42.0	14.0	19.0	260 Q 5050	5
60 x 60	1.5 - 2	54.0	58.0	14.0	19.0	260 Q 6060	1.5 - 2
60 x 60	4	50.0	54.0	14.0	19.0	260 Q 6060	4
60 x 60	5	48.0	52.0	14.0	19.0	260 Q 6060	5
70 x 70	3	61.0	66.0	17.0	22.0	260 Q 7070	3
70 x 70	4	59.0	64.0	17.0	22.0	260 Q 7070	4
80 x 80	3	71.0	76.0	17.0	22.0	260 Q 8080	3
90 x 90	1.5 - 2	83.0	88.0	17.0	22.0	260 Q 9090	1.5 - 2
90 x 90	5	77.0	82.0	17.0	22.0	260 Q 9090	5
100 x 100	3	91.0	96.0	17.0	22.0	260 Q 100100	3
100 x 100	5	87.0	92.0	17.0	22.0	260 Q 100100	5
120 x 120	5	107.0	112.0	17.0	22.0	260 Q 120120	5

Size in mm

Colour and material alternatives, additional sizes, bespoke designs and technical cleanliness on request. For more information about materials, colours, drawings and application of our items, please see page 114/115.

>> You also might be interested in the following products:  
GPN 270, GPN 280, GPN 320, GPN 1000



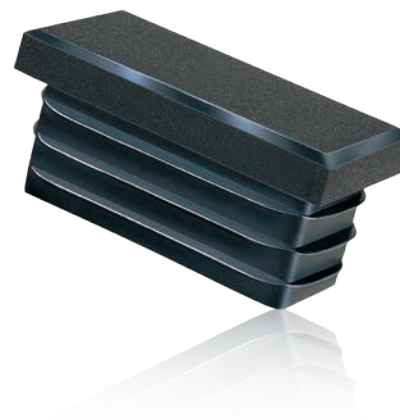
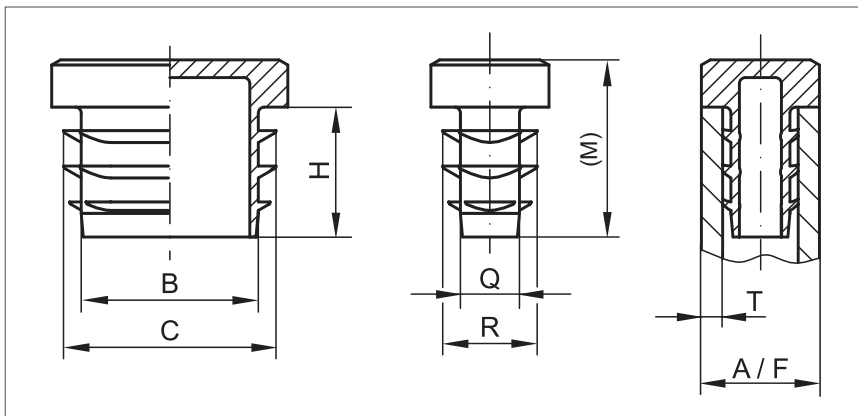
**PÖPPELMANN**

We will be happy to advise you: +49 4442 982-9166

**KAPSTO®**

# Rectangular Plugs

## GPN 270



Suitable for pipe dimensions		Dimensions						Order no.	
External A/F	Wall thickness T	B	C	H	(M)	Q	R		
20 x 10	1.5 - 2	15.0	18.0	11.0	15.0	5.0	8.0	270 R 2010	1.5 - 2
20 x 15	1.5 - 2	15.0	18.0	11.0	15.0	10.0	13.0	270 R 2015	1.5 - 2
25 x 10	1.5 - 2	20.0	23.0	11.0	15.0	5.0	8.0	270 R 2510	1.5 - 2
25 x 15	1.5 - 2	20.0	23.0	11.0	15.0	10.0	13.0	270 R 2515	1.5 - 2
25 x 20	1.5 - 2	20.0	23.0	11.0	15.0	15.0	18.0	270 R 2520	1.5 - 2
30 x 10	1.5 - 2	25.0	28.0	11.0	15.0	5.0	8.0	270 R 3010	1.5 - 2
30 x 15	1.5 - 2	25.0	28.0	11.0	15.0	10.0	13.0	270 R 3015	1.5 - 2
30 x 20	1.5 - 2	25.0	28.0	11.0	15.0	15.0	18.0	270 R 3020	1.5 - 2
30 x 20	3	23.0	26.0	11.0	15.0	13.0	16.0	270 R 3020	3
30 x 25	1.5 - 2	24.0	28.0	14.0	19.0	19.0	23.0	270 R 3025	1.5 - 2
35 x 20	1.5 - 2	29.0	33.0	14.0	19.0	14.0	18.0	270 R 3520	1.5 - 2
35 x 25	1.5 - 2	29.0	33.0	14.0	19.0	19.0	23.0	270 R 3525	1.5 - 2
35 x 30	1.5 - 2	29.0	33.0	14.0	19.0	24.0	28.0	270 R 3530	1.5 - 2
40 x 10	1.5 - 2	34.0	38.0	14.0	19.0	4.0	8.0	270 R 4010	1.5 - 2
40 x 15	1.5 - 2	34.0	38.0	14.0	19.0	9.0	13.0	270 R 4015	1.5 - 2
40 x 20	1.5 - 2	34.0	38.0	14.0	19.0	14.0	18.0	270 R 4020	1.5 - 2
40 x 20	3	32.0	36.0	14.0	19.0	12.0	16.0	270 R 4020	3
40 x 25	1.5 - 2	34.0	38.0	14.0	19.0	19.0	23.0	270 R 4025	1.5 - 2
40 x 30	1.5 - 2	34.0	38.0	14.0	19.0	24.0	28.0	270 R 4030	1.5 - 2
40 x 30	3	32.0	36.0	14.0	19.0	22.0	26.0	270 R 4030	3
45 x 15	1.5 - 2	39.0	43.0	14.0	19.0	9.0	13.0	270 R 4515	1.5 - 2
45 x 20	1.5 - 2	39.0	43.0	14.0	19.0	14.0	18.0	270 R 4520	1.5 - 2
45 x 25	1.5 - 2	39.0	43.0	14.0	19.0	19.0	23.0	270 R 4525	1.5 - 2
48 x 38	1.5 - 2	42.0	46.0	14.0	19.0	32.0	36.0	270 R 4838	1.5 - 2
50 x 20	1.5 - 2	44.0	48.0	14.0	19.0	14.0	18.0	270 R 5020	1.5 - 2
50 x 25	1.5 - 2	44.0	48.0	14.0	19.0	19.0	23.0	270 R 5025	1.5 - 2
50 x 30	1.5 - 2	44.0	48.0	14.0	19.0	24.0	28.0	270 R 5030	1.5 - 2
50 x 30	3	42.0	46.0	14.0	19.0	22.0	26.0	270 R 5030	3
50 x 34	1.5 - 2	44.0	48.0	14.0	19.0	28.0	32.0	270 R 5034	1.5 - 2
50 x 40	1.5 - 2	44.0	48.0	14.0	19.0	34.0	38.0	270 R 5040	1.5 - 2
60 x 20	1.5 - 2	54.0	58.0	14.0	19.0	14.0	18.0	270 R 6020	1.5 - 2
60 x 30	1.5 - 2	54.0	58.0	14.0	19.0	24.0	28.0	270 R 6030	1.5 - 2
60 x 30	3	52.0	56.0	14.0	19.0	22.0	26.0	270 R 6030	3
60 x 40	1.5 - 2	54.0	58.0	14.0	19.0	34.0	38.0	270 R 6040	1.5 - 2
60 x 40	4	50.0	54.0	14.0	19.0	30.0	34.0	270 R 6040	4
60 x 40	5	48.0	52.0	14.0	19.0	28.0	32.0	270 R 6040	5
70 x 30	1.5 - 2	63.0	68.0	17.0	22.0	23.0	28.0	270 R 7030	1.5 - 2
70 x 40	1.5 - 2	63.0	68.0	17.0	22.0	33.0	38.0	270 R 7040	1.5 - 2
70 x 40	4	59.0	64.0	17.0	22.0	29.0	34.0	270 R 7040	4
80 x 20	1.5 - 2	73.0	78.0	17.0	22.0	13.0	18.0	270 R 8020	1.5 - 2
80 x 30	1.5 - 2	73.0	78.0	17.0	22.0	23.0	28.0	270 R 8030	1.5 - 2
80 x 40	1.5 - 2	73.0	78.0	17.0	22.0	33.0	38.0	270 R 8040	1.5 - 2

► Continued on page 56



Your KAPSTO® quality benefits:



**Robust:**  
Reinforced head area  
for higher demands.



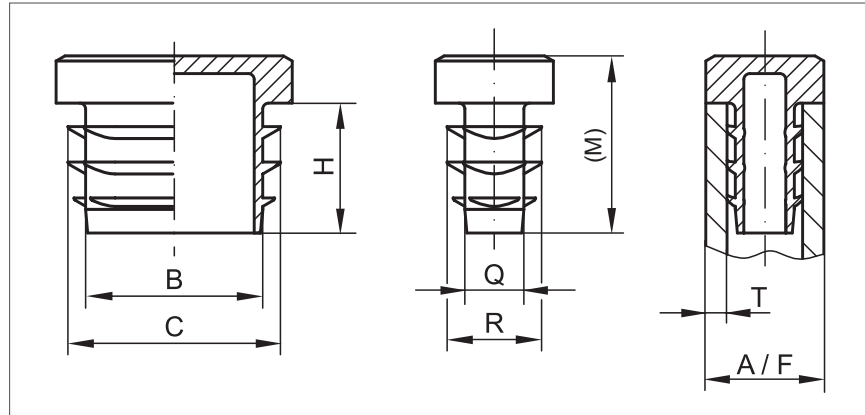
**Additional information:**  
For closing of section tubes.  
Distinctive external ribs  
provide a secure press fit.  
High visual appeal due to  
grained top surface finish  
and chamfered edges.

**Material:** PE-LLD

**Colour:** Black

# Rectangular Plugs

## GPN 270



◀ Continued from page 55

Suitable for pipe dimensions		Dimensions						Order no.	
External A/F	Wall thickness T	B	C	H	(M)	Q	R		
80 x 40	4	69.0	74.0	17.0	22.0	29.0	34.0	270 R 8040	4
80 x 40	5	67.0	72.0	17.0	22.0	27.0	32.0	270 R 8040	5
80 x 50	1.5 - 2	73.0	78.0	17.0	22.0	43.0	48.0	270 R 8050	1.5 - 2
80 x 50	4	69.0	74.0	17.0	22.0	39.0	44.0	270 R 8050	4
80 x 60	3	71.0	76.0	17.0	22.0	51.0	56.0	270 R 8060	3
80 x 60	5	67.0	72.0	17.0	22.0	47.0	52.0	270 R 8060	5
100 x 40	1.5 - 2	93.0	98.0	17.0	22.0	33.0	38.0	270 R 10040	1.5 - 2
100 x 40	3	91.0	96.0	17.0	22.0	31.0	36.0	270 R 10040	3
100 x 50	3	91.0	96.0	17.0	22.0	41.0	46.0	270 R 10050	3
100 x 50	4	89.0	94.0	17.0	22.0	39.0	44.0	270 R 10050	4
100 x 50	5	87.0	92.0	17.0	22.0	37.0	42.0	270 R 10050	5
120 x 40	3	111.0	116.0	17.0	22.0	31.0	36.0	270 R 12040	3
120 x 60	3	111.0	116.0	17.0	22.0	51.0	56.0	270 R 12060	3
120 x 60	4	109.0	114.0	17.0	22.0	49.0	54.0	270 R 12060	4
120 x 60	5	107.0	112.0	17.0	22.0	47.0	52.0	270 R 12060	5
120 x 80	1.5 - 2	113.0	118.0	17.0	22.0	73.0	78.0	270 R 12080	1.5 - 2
140 x 80	4	129.0	134.0	17.0	22.0	69.0	74.0	270 R 14080	4

Size in mm

Colour and material alternatives, additional sizes, bespoke designs and technical cleanliness on request. For more information about materials, colours, drawings and application of our items, please see page 114/115.

>> You also might be interested in the following products:

### Your KAPSTO® quality benefits:



**Robust:** Reinforced head area for higher demands.



**Additional information:**  
For closing of section tubes. Distinctive external ribs provide a secure press fit. High visual appeal due to grained top surface finish and chamfered edges.

**Material:** PE-LLD

**Colour:** Black



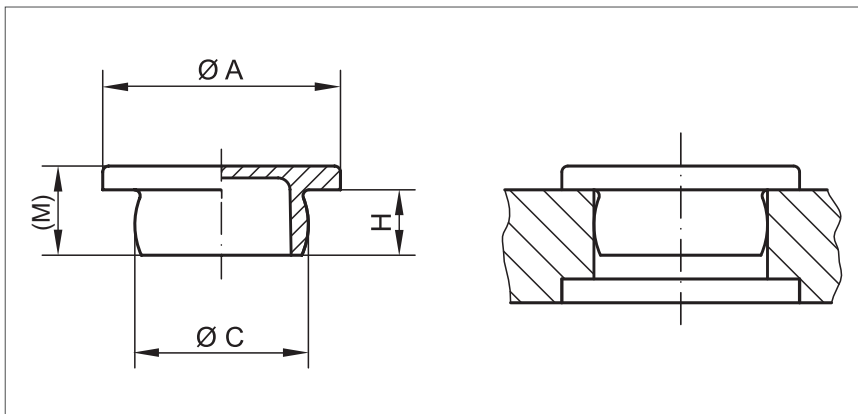
**PÖPPELMANN**

We will be happy to advise you: +49 4442 982-9166

**KAPSTO®**

# Closures

## GPN 300 F



Dimensions				Order no.
A	C	H	(M)	
5.0	3.1	2.0	3.0	300 F 1
7.0	4.7	1.8	2.6	300 F 011
9.0	6.6	4.0	5.2	300 F 012
14.0	7.2	6.0	8.0	300 F 2
14.0	8.4	6.0	8.0	300 F 3
14.0	8.6	4.5	6.5	300 F 031
18.0	8.6	6.0	8.0	300 F 0315
13.0	8.8	7.5	9.5	300 F 032
14.0	9.2	4.5	6.5	300 F 4
14.0	9.4	4.5	6.5	300 F 041
13.0	10.3	5.5	7.5	300 F 042
14.0	10.7	5.5	7.5	300 F 5
16.0	11.7	7.0	9.0	300 F 7
16.0	12.3	7.0	9.0	300 F 9
16.0	13.0	7.0	9.0	300 F 091
20.0	13.7	8.0	10.0	300 F 10
20.0	14.6	5.5	7.5	300 F 11
20.0	15.0	8.0	10.0	300 F 111
20.0	15.0	5.5	7.5	300 F 112
20.0	15.6	8.0	10.0	300 F 12
22.0	16.7	5.5	7.5	300 F 14
22.0	16.5	5.5	7.5	300 F 141
20.0	16.5	5.5	7.5	300 F 142
22.0	17.1	8.0	10.5	300 F 15
25.0	18.4	8.0	10.5	300 F 17
25.0	19.3	8.0	10.8	300 F 18
25.0	21.4	7.5	9.5	300 F 181
25.0	21.7	8.0	10.5	300 F 182
25.0	19.6	8.0	10.5	300 F 183
25.0	21.2	8.0	10.0	300 F 184
25.0	20.7	8.0	10.5	300 F 19
28.0	22.4	9.0	12.0	300 F 21
28.0	23.6	9.0	12.0	300 F 211

Size in mm

Dimensions				Order no.
A	C	H	(M)	
28.0	24.0	9.0	12.0	300 F 22
28.0	24.6	9.0	12.0	300 F 23
27.0	24.5	8.5	11.0	300 F 231
28.0	25.5	7.5	9.5	300 F 232
28.0	26.5	9.0	12.0	300 F 233
36.0	29.0	12.0	15.0	300 F 24
36.0	30.5	12.0	15.0	300 F 241
36.0	31.0	12.0	15.0	300 F 242
36.0	32.0	10.0	12.5	300 F 25
36.0	33.5	12.0	14.0	300 F 26
42.0	34.8	15.0	18.0	300 F 27
42.0	35.5	15.0	18.0	300 F 271
42.0	36.5	15.0	18.0	300 F 28
42.0	38.4	10.0	12.5	300 F 30
42.0	39.0	15.0	18.0	300 F 301
42.0	40.0	15.0	18.0	300 F 31
45.0	40.7	15.0	18.0	300 F 311
48.0	42.3	15.0	18.0	300 F 312
55.0	46.0	18.0	21.0	300 F 32
55.0	48.5	12.0	15.0	300 F 33
55.0	51.5	18.0	21.0	300 F 35
63.0	55.0	18.0	21.0	300 F 37
63.0	55.8	18.0	21.0	300 F 38
63.0	58.0	18.0	21.0	300 F 40
71.0	66.0	18.0	21.5	300 F 401
63.0	59.0	18.0	21.3	300 F 402
78.0	71.0	18.0	22.0	300 F 41
86.0	75.8	19.0	22.0	300 F 411
95.0	86.0	18.0	19.3	300 F 42
124.0	102.5	18.0	21.5	300 F 44
152.0	123.5	18.0	21.5	300 F 47
165.0	152.0	17.5	20.0	300 F 52
200.0	182.0	19.5	22.0	300 F 55

► Application guide data, see page 59

Colour and material alternatives, additional sizes, bespoke designs and technical cleanliness on request. For more information about materials, colours, drawings and application of our items, please see page 114/115.

>> You also might be interested in the following products: GPN 350, GPN 600, GPN 615



Your KAPSTO® quality benefits:



### Multifunctional:

Multifunctional use for internal threads and bore holes.



### Technical cleanliness:

Production in accordance with to VDA Band 19 and ISO 16232 in our specially equipped cleanroom on request. For more information, please see page 116/117



### Additional information:

Flat-headed design. Firm fit due to crowned shank.

**Material:** PE-LD; from GPN 300 F 52: PE-LLD  
**Colour:** Natural



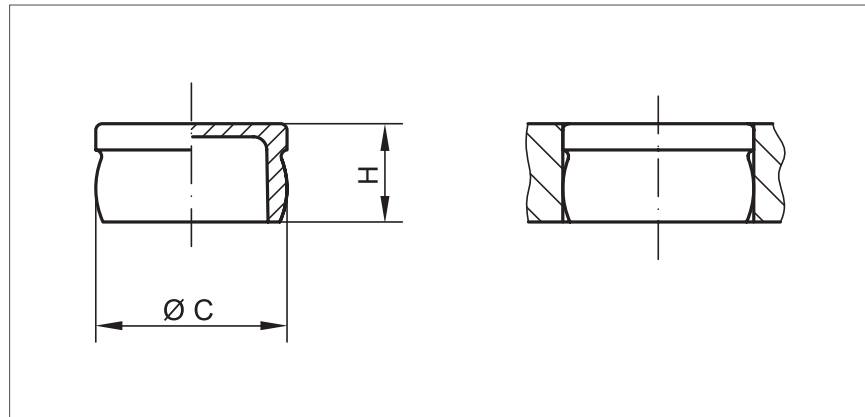
**PÖPPELMANN**

Contact, product search, CAD data download and sample requests: [www.poeppelemann.com](http://www.poeppelemann.com)

**KAPSTO®**

# Closures

## GPN 300 V



### Your KAPSTO® quality benefits:



#### Multifunctional:

Multifunctional use for internal threads and bore holes.



#### Technical cleanliness:

Production in accordance with VDA Band 19 and ISO 16232 in our specially equipped cleanroom on request. For more information, please see page 116/117.



#### Additional information:

Application as for F-type but with smaller head diameter for recessed mounting.

**Material:** PE-LD

**Colour:** Natural

Dimensions		Order no.
C	H	
6.2	8.0	300 V 011
7.2	8.0	300 V 2
8.4	8.0	300 V 3
8.6	6.5	300 V 031
9.2	6.5	300 V 4
9.4	6.5	300 V 041
10.7	7.5	300 V 5
11.7	9.0	300 V 7
12.3	9.0	300 V 9
13.0	9.0	300 V 091
13.7	10.0	300 V 10
14.6	7.5	300 V 11
15.0	10.0	300 V 111
15.0	7.5	300 V 112
15.6	10.0	300 V 12
16.5	7.5	300 V 142
16.7	7.5	300 V 14
17.1	10.5	300 V 15
18.4	10.5	300 V 17
19.3	10.8	300 V 18
21.4	9.5	300 V 181
21.7	10.5	300 V 182
19.6	10.5	300 V 183
21.2	10.0	300 V 184
20.7	10.5	300 V 19
22.4	11.5	300 V 21

Size in mm

Dimensions		Order no.
C	H	
23.6	12.0	300 V 211
24.0	12.0	300 V 22
24.6	12.0	300 V 23
24.5	11.0	300 V 231
25.5	9.5	300 V 232
26.5	12.0	300 V 233
29.0	15.0	300 V 24
30.5	15.0	300 V 241
32.0	12.5	300 V 25
33.5	15.0	300 V 26
34.8	18.0	300 V 27
35.5	18.0	300 V 271
36.5	18.0	300 V 28
38.4	12.5	300 V 30
39.0	18.0	300 V 301
40.0	18.0	300 V 31
40.7	18.0	300 V 311
42.3	18.0	300 V 312
46.0	21.0	300 V 32
48.5	15.0	300 V 33
51.5	21.0	300 V 35
55.0	21.0	300 V 37
55.8	21.0	300 V 38
58.0	21.0	300 V 40
66.0	21.5	300 V 401
71.0	22.0	300 V 41

► Application guide data, see page 59

Colour and material alternatives, additional sizes, bespoke designs and technical cleanliness on request. For more information about materials, colours, drawings and application of our items, please see page 114/115.

>> You also might be interested in the following products: GPN 350, GPN 600, GPN 615



**PÖPPELMANN**

We will be happy to advise you: +49 4442 982-9166

**KAPSTO®**

# Closures

## GPN 300

### Application Guide

Metric threads				Pipe thread	Order no.	
Standard thread	Fine thread				F-Type	V-Type
M 3.5					300 F 1	
	M 5 x 0.5				300 F 011	
M 7						300 V 011
	M 7.5 x 1				300 F 012	
M 8	M 8 x 1			1/16	300 F 2	300 V 2
	M 9 x 1				300 F 3	300 V 3
M 10					300 F 031	300 V 031
M 10					300 F 0315	
M 10	M 9.5 x 1			1/8	300 F 032	
	M 10 x 1			1/8	300 F 4	300 V 4
	M 10 x 1				300 F 041	300 V 041
M 12	M 11 x 1				300 F 042	
M 12		M 12 x 1.5			300 F 5	300 V 5
	M 12 x 1	M 13 x 1.5		1/4	300 F 7	300 V 7
M 14	M 13 x 1			1/4	300 F 9	300 V 9
	M 13.5 x 1	M 14 x 1.5			300 F 091	300 V 091
		M 15 x 1.5			300 F 10	300 V 10
M 16	M 15 x 1				300 F 11	300 V 11
		M 16 x 1.5			300 F 111	300 V 111
		M 16 x 1.5			300 F 112	300 V 112
M 18	M 16 x 1			3/8	300 F 12	300 V 12
		M 18 x 1.5			300 F 14	300 V 14
	M 17 x 1	M 18 x 1.5			300 F 141	
	M 17 x 1	M 18 x 1.5			300 F 142	300 V 142
		M 18 x 1.5			300 F 15	300 V 15
	M 19 x 1		M 20 x 2		300 F 17	300 V 17
	M 20 x 1		M 21 x 2	1/2	300 F 18	300 V 18
M 24	M 22 x 1		M 23 x 2		300 F 181	300 V 181
	M 22 x 1				300 F 182	300 V 182
M 22		M 21 x 1.5			300 F 183	300 V 183
M 24	M 22 x 1			5/8	300 F 184	300 V 184
		M 22 x 1.5			300 F 19	300 V 19
	M 23 x 1		M 24 x 2		300 F 21	300 V 21
	M 24 x 1	M 25 x 1.5	M 25 x 2		300 F 211	300 V 211
M 27		M 25 x 1.5			300 F 22	300 V 22
	M 25 x 1	M 26 x 1.5	M 26 x 2	3/4	300 F 23	300 V 23
M 25	M 25 x 1		M 26 x 2		300 F 231	300 V 23
	M 26 x 1		M 27 x 2		300 F 232	300 V 232
M 30	M 27 x 1		M 28 x 2		300 F 233	300 V 233
		M 30 x 1.5			300 F 24	300 V 24
	M 31 x 1		M 32 x 2	1	300 F 241	300 V 241
		M 32 x 1.5		1	300 F 242	
M 36		M 33 x 1.5			300 F 25	300 V 25
	M 34 x 1		M 35 x 2	M 36 x 3	300 F 26	300 V 26
		M 36 x 1.5			300 F 27	300 V 27
M 39	M 36 x 1		M 37 x 2	M 38 x 3	300 F 271	300 V 271
	M 37 x 1		M 38 x 2	M 39 x 3	300 F 28	300 V 28
	M 39 x 1		M 40 x 2		300 F 30	300 V 30
M 45		M 40 x 1.5	M 42 x 2	M 42 x 3	300 F 301	300 V 301
		M 42 x 1.5		M 45 x 3	300 F 311	300 V 311
				M 50 x 4	300 F 32	
			M 50 x 2		300 F 33	300 V 33
	M 52 x 1			1 3/4	300 F 35	300 V 35
		M 56 x 1.5			300 F 37	300 V 37
	M 56 x 1				300 F 38	300 V 38
M 64				M 62 x 4	300 F 40	300 V 40
				M 70 x 4	300 F 401	300 V 401
		M 60 x 1.5			300 F 402	
		M 72 x 1.5		M 75 x 4	300 F 41	300 V 41
				M 90 x 4	300 F 42	
				M 105 x 3	300 F 44	
			M 125 x 2		300 F 47	
				M 155 x 3	300 F 52	
				M 185 x 3	300 F 55	

◀ For product dimensions refer to page 57 (F-Type) and 58 (V-Type)



F-Type



V-Type



#### Additional information:

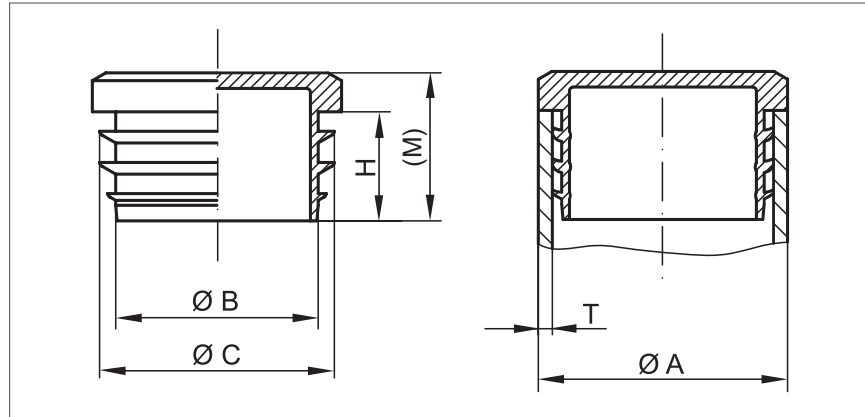
When making your selection, please note that the shaft diameter C must be approximately 0.2 to 0.8 mm larger (depending on nominal dimension) than the bore or core diameter of the thread you wish to close. This application table is a guide only. We will be happy to send you free samples for testing.





# Finned Plugs

## GPN 320



### Your KAPSTO® quality benefits:



**Standard protection:** To close off round pipes in accordance with DIN EN 10220, DIN EN 10255, and DIN EN ISO 1127.



**Robust:** Solid design for increased demands.



**Multifunctional:** Ribs on the shake provide a secure fit even with varying tube tolerances.



**Additional information:** High visual appeal due to grained top surface finish and chamfered edges.

**Material:** PE-LLD

**Colour:** Black

Suitable for pipe dimensions		Dimensions				Order no.
External A	Wall thickness T	B	C	H	(M)	
10.0	1-2	5.0	8.5	11.0	15.0	320 GL 10 1-2
12.0	1-2	7.0	10.5	11.0	15.0	320 GL 12 1-2
13.0	1-2	8.0	11.5	11.0	15.0	320 GL 13 1-2
14.0	1-2	9.0	12.5	11.0	15.0	320 GL 14 1-2
15.0	1-2	10.0	13.5	11.0	15.0	320 GL 15 1-2
16.0	1-2	11.0	14.5	11.0	15.0	320 GL 16 1-2
18.0	1-2	13.0	16.5	11.0	15.0	320 GL 18 1-2
20.0	1-2	15.0	18.5	11.0	15.0	320 GL 20 1-2
22.0	1-2	16.0	20.5	14.0	19.0	320 GL 22 1-2
25.0	1-2	19.0	23.5	14.0	19.0	320 GL 25 1-2
27.0	1-2	21.0	25.5	14.0	19.0	320 GL 27 1-2
28.0	1-2	22.0	26.5	14.0	19.0	320 GL 28 1-2
30.0	1-2	24.0	28.5	14.0	19.0	320 GL 30 1-2
32.0	1-2	26.0	30.5	14.0	19.0	320 GL 32 1-2
34.0	1-2	28.0	32.5	14.0	19.0	320 GL 34 1-2
35.0	1-2	29.0	33.5	14.0	19.0	320 GL 35 1-2
36.0	1-2	30.0	34.5	14.0	19.0	320 GL 36 1-2
38.0	1-2	32.0	36.5	14.0	19.0	320 GL 38 1-2
40.0	1-2	34.0	38.5	14.0	19.0	320 GL 40 1-2
42.0	1-2	36.0	40.5	14.0	19.0	320 GL 42 1-2
45.0	1-2	39.0	43.5	14.0	19.0	320 GL 45 1-2
48.0	1-2	42.0	46.5	14.0	19.0	320 GL 48 1-2
50.0	1-2	43.0	48.5	17.0	22.0	320 GL 50 1-2
55.0	1-2	48.0	53.5	17.0	22.0	320 GL 55 1-2
60.0	1-2	53.0	58.5	17.0	22.0	320 GL 60 1-2
60.0	2-3	51.0	56.5	17.0	22.0	320 GL 60 2-3
70.0	2-3	61.0	66.5	17.0	22.0	320 GL 70 2-3
70.0	3-4	59.0	64.5	17.0	22.0	320 GL 70 3-4
76.0	2-3	67.0	72.5	17.0	22.0	320 GL 76 2-3
76.0	3-4	65.0	70.5	17.0	22.0	320 GL 76 3-4
90.0	2-3	81.0	86.5	17.0	22.0	320 GL 90 2-3
90.0	3-4	79.0	84.5	17.0	22.0	320 GL 90 3-4
102.0	2-3	93.0	98.5	17.0	22.0	320 GL 102 2-3
102.0	3-4	91.0	96.5	17.0	22.0	320 GL 102 3-4

Size in mm

Colour and material alternatives, additional sizes, bespoke designs and technical cleanliness on request. For more information about materials, colours, drawings and application of our items, please see page 114/115.

>> You also might be interested in the following products:  
GPN 260, GPN 270, GPN 280, GPN 1000



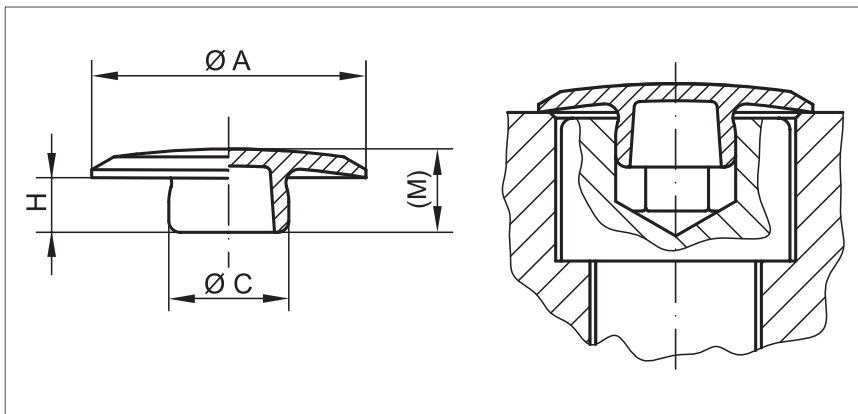
**PÖPPELMANN**

We will be happy to advise you: +49 4442 982-9166

**KAPSTO®**

# Covers

## GPN 340

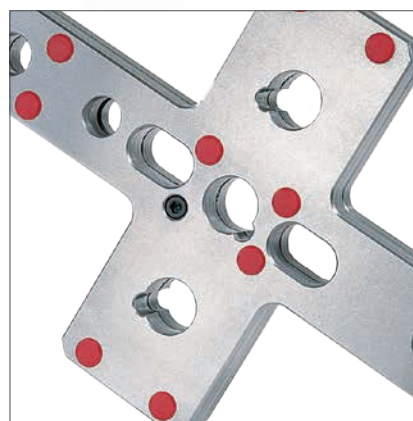
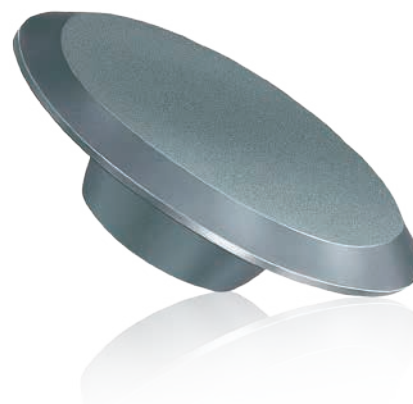


Suitable for screws						Order no.
Thread	Hexagon socket width across flats	A	C	H	(M)	
M 3	2.5	10.0	2.8	2.2	4.0	340 SW 2.5
M 4	3	12.0	3.3	2.3	4.3	340 SW 3
M 5	4	14.0	4.4	2.9	4.9	340 SW 4
M 6	5	15.0	5.4	3.3	5.3	340 SW 5
M 8	6	19.0	6.3	4.0	6.1	340 SW 6
M 10	8	22.0	8.5	4.5	7.0	340 SW 8
M 12	10	24.0	10.5	5.0	7.3	340 SW 10
M 16	14	30.0	14.5	7.1	9.7	340 SW 14
M 20	17	36.5	17.5	9.0	11.6	340 SW 17

Size in mm

Colour and material alternatives, additional sizes, bespoke designs and technical cleanliness on request. For more information about materials, colours, drawings and application of our items, please see page 114/115.

>> You also might be interested in the following products: GPN 300 F, GPN 500, GPN 600



Your KAPSTO® quality benefits:



### Standard protection:

Suitable for countersunk hexagonal socket head screws in accordance with DIN EN ISO 4762 and locking screws conforming to DIN 908.

**Material:** PE-LD

**Colour:** Grey



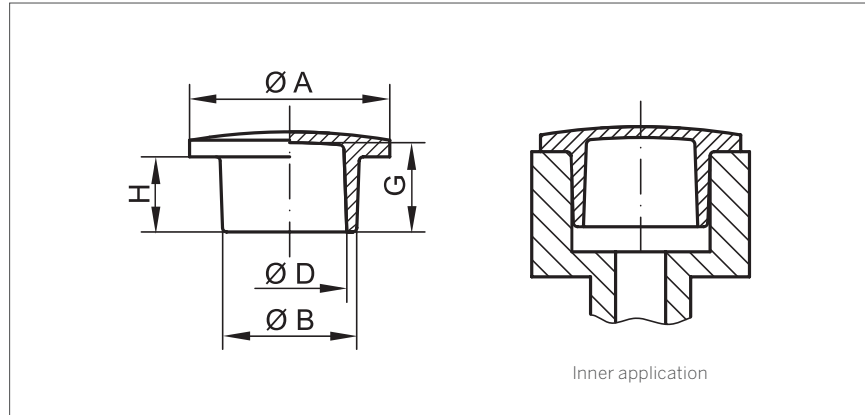
**PÖPPELMANN**

Contact, product search, CAD data download and sample requests: [www.poeppelemann.com](http://www.poeppelemann.com)

**KAPSTO®**

# Closures

## GPN 350



### Your KAPSTO® quality benefits:



#### Multi Funcuional:

Can be used as plug or cap.



#### Technical cleanliness:

Production in accordance with VDA Band 19 and ISO 16232 in our specially equipped cleanroom on request. For more information, please see page 116/117.



#### Additional information:

Suitable for openings, bolts, lines and threads.

**Material:** PE-LD

**Colour:** Natural

Dimensions					
A	Inner application		D	G	Order no.
	B	H			
13.0	6.2	6.0	3.8	7.3	350   2
13.0	6.4	9.0	5.0	10.8	350   3
13.0	7.1	6.0	4.7	7.8	350   4
13.0	8.2	6.0	5.8	7.8	350   5
13.0	7.8	9.0	6.0	10.8	350   6
13.0	9.3	6.0	7.7	7.3	350   7
16.0	10.4	8.0	8.1	9.0	350   8
16.0	10.4	11.0	8.0	12.8	350   9
16.0	10.8	8.0	8.8	9.8	350   10
16.0	11.3	8.0	9.4	9.3	350   11
16.0	11.9	13.0	9.7	14.5	350   12
16.0	11.9	8.0	9.7	9.2	350   13
19.0	12.9	8.0	10.9	9.8	350   14
19.0	13.9	8.0	11.7	9.8	350   15
19.0	14.0	16.0	11.7	17.7	350   16
19.0	14.5	8.0	12.5	9.3	350   17
19.0	15.0	8.0	13.0	9.3	350   18
24.0	15.9	9.0	13.7	10.7	350   20
24.0	17.0	9.0	14.7	10.6	350   21
24.0	17.8	22.0	14.7	23.3	350   22
24.0	17.7	9.0	15.7	10.7	350   23
24.0	18.3	9.0	16.5	10.7	350   24
26.0	19.9	10.0	17.7	12.2	350   25
26.0	20.9	10.0	18.7	12.2	350   26
26.0	21.5	26.0	18.7	28.2	350   27
26.0	22.0	10.0	19.7	12.2	350   28
26.0	22.7	10.0	20.5	12.2	350   29
29.0	23.2	10.0	21.2	12.2	350   30
29.0	23.7	10.0	21.7	12.2	350   31
29.0	24.4	10.0	23.0	12.2	350   32
29.0	25.0	10.0	23.7	12.2	350   33
33.0	26.3	11.0	24.9	13.2	350   35
33.0	27.2	11.0	25.2	13.2	350   36
33.0	28.3	11.0	25.7	13.2	350   37
33.0	29.3	11.0	26.9	12.5	350   38
36.0	30.1	11.0	27.9	12.6	350   39
36.0	30.4	11.0	28.3	13.2	350   40
36.0	32.0	11.0	29.7	12.5	350   41

► Continued on page 63



**PÖPPELMANN**

We will be happy to advise you: +49 4442 982-9166

**KAPSTO®**

# Closures

## GPN 350

◀ Continued from page 62

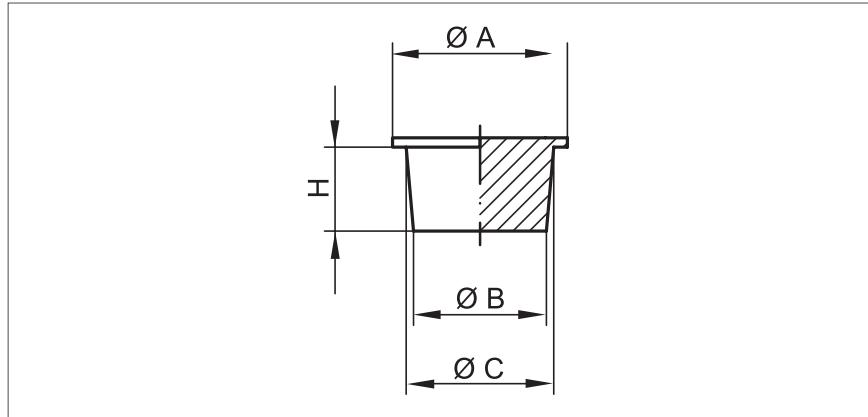
Dimensions					
A	Inner application		D	G	Order no.
	B	H			
36.0	32.8	11.0	30.5	13.2	350142
42.0	33.9	12.0	31.5	14.2	350143
42.0	34.5	12.0	32.5	14.2	350144
42.0	35.3	12.0	32.4	14.2	350145
42.0	36.5	12.0	34.7	14.2	350146
45.0	38.0	12.0	35.7	14.2	350147
45.0	38.9	12.0	36.7	14.2	350148
45.0	39.4	12.0	37.5	14.2	350149
45.0	40.2	12.0	38.5	14.2	350150
50.0	41.8	12.0	39.5	13.7	350151
50.0	43.7	12.0	41.5	14.2	350152
50.0	44.8	12.0	42.0	14.2	350153
56.0	45.8	11.8	43.9	12.9	3501531
56.0	46.8	12.0	44.5	13.7	350154
55.0	48.3	12.0	46.3	14.2	3501541
56.0	48.7	12.0	46.7	14.2	350155
56.0	50.5	20.0	47.5	22.2	350156
62.0	54.0	13.0	51.5	14.2	350157
65.0	59.4	15.0	56.9	15.0	3501570
65.0	60.8	18.0	56.8	18.0	3501571
72.0	62.5	14.0	59.2	16.0	350158
85.0	79.5	18.0	76.5	18.0	3501581
88.0	75.6	14.0	72.9	16.5	350159
92.0	88.5	20.0	85.0	20.0	350160

Size in mm

Colour and material alternatives, additional sizes, bespoke designs and technical cleanliness on request. For more information about materials, colours, drawings and application of our items, please see page 114/115.

# Tapered Plugs

## GPN 500



Suitable for thread	Dimensions				Order no.
	A	B	C	H	
M 4	5.5	3.2	3.5	3.0	500 B 31
M 5	7.5	4.1	4.5	3.0	500 B 41
M 5 x 0.5	8.0	4.4	4.7	3.0	500 B 43
M 6	8.0	4.9	5.4	4.0	500 B 47
M 6 x 0.5	8.5	5.4	5.6	3.0	500 B 53
M 7	9.0	5.8	6.1	4.0	500 B 58
M 8	9.0	6.4	6.8	4.0	500 B 64
M 8 x 1	10.0	6.8	7.2	4.0	500 B 68
M 9 x 1	11.0	7.8	8.2	4.0	500 B 78

Size in mm

Colour and material alternatives, additional sizes, bespoke designs and technical cleanliness on request. For more information about materials, colours, drawings and application of our items, please see page 114/115.

>> You also might be interested in the following products: GPN 305, GPN 551, GPN 600



**Robust:** Solid design for increased demands.



**Multifunctional:** Tapered plug to accommodate tolerances.



**Additional information:** For closing internal threads and bore holes.

**Material:** PE-LD

**Colour:** Natural

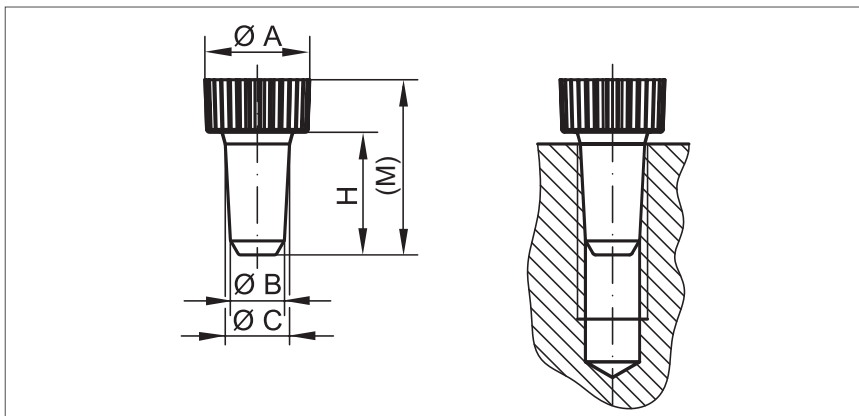


**PÖPPELMANN**

We will be happy to advise you: +49 4442 982-9166

**KAPSTO®**

# Screw-in Plugs GPN 550



Suitable for thread	Dimensions					Order no.
	A	B	C	H	(M)	
M 2	7.0	1.3	2.0	7.0	14.0	550 / 002
M 3	7.0	2.1	3.0	12.0	19.0	550 / 003
M 4	8.0	2.8	4.0	15.0	22.0	550 / 004
M 5	9.0	3.6	5.0	18.0	27.0	550 / 005
M 6	11.0	4.3	5.8	18.0	27.0	550 / 006
M 7	11.0	5.0	6.5	18.0	27.0	550 / 007
M 8	14.0	6.0	7.5	18.0	27.0	550 / 008
M 9	14.0	6.5	8.5	18.0	27.0	550 / 009
M 10	16.0	7.6	9.3	21.0	30.0	550 / 010
M 12	18.0	9.3	11.0	21.0	30.0	550 / 012

Size in mm

Colour and material alternatives, additional sizes, bespoke designs and technical cleanliness on request. For more information about materials, colours, drawings and application of our items, please see page 114/115.

>> You also might be interested in the following products: GPN 551, GPN 605, GPN 700



### Your KAPSTO® quality benefits:



**Robust:** Thick walled shaft for increased demands.



**Multifunctional:** Tapered plug to accommodate tolerances.



**Additional information:** Self tapping plug for tight closure of threads or bore holes. Ideal for painting processes.

**Material:** PE-LD

**Colour:** Yellow



**PÖPPELMANN**

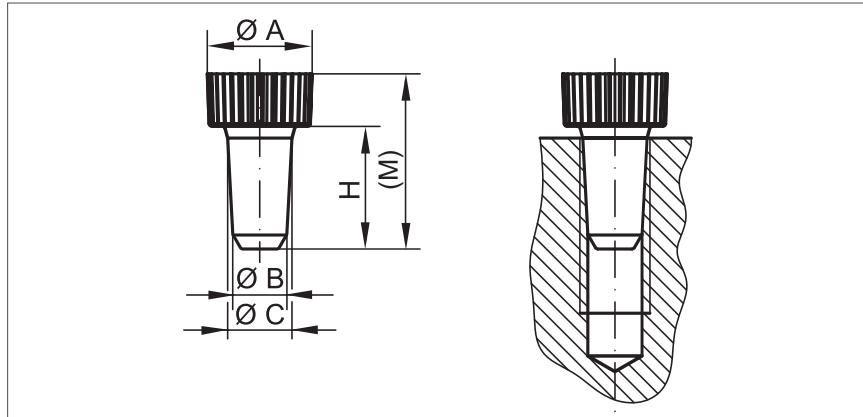
Contact, product search, CAD data download and sample requests: [www.poeppele.com](http://www.poeppele.com)

**KAPSTO®**



# Screw-in Plugs

## GPN 551



Suitable for thread	Dimensions					Order no.
	A	B	C	H	(M)	
M 2	7.0	1.3	2.0	7.0	14.0	551 / 002
M 3	7.0	2.1	3.0	12.0	19.0	551 / 003
M 4	8.0	2.8	4.0	15.0	22.0	551 / 004
M 5	9.0	3.6	5.0	18.0	27.0	551 / 005
M 6	11.0	4.3	5.8	18.0	27.0	551 / 006
M 7	11.0	5.0	6.5	18.0	27.0	551 / 007
M 8	14.0	6.0	7.5	18.0	27.0	551 / 008
M 9	14.0	6.5	8.5	18.0	27.0	551 / 009
M 10	16.0	7.6	9.3	21.0	30.0	551 / 010
M 12	18.0	9.3	11.0	21.0	30.0	551 / 012

Size in mm

Colour and material alternatives, additional sizes, bespoke designs and technical cleanliness on request. For more information about materials, colours, drawings and application of our items, please see page 114/115.

>> You also might be interested in the following products: GPN 550, GPN 605, GPN 700



### Temperature resistant:

Heat-resistant to 150 °C.  
More details: page 115,  
"Physical properties".



**Robust:** Thick walled shaft for increased demands.



**Multifunctional:** Tapered plug to accommodate tolerances.



**Additional information:** Self tapping plug for tight closure of threads or bore holes. Ideal for painting processes.

**Material:** PHT

**Colour:** Red



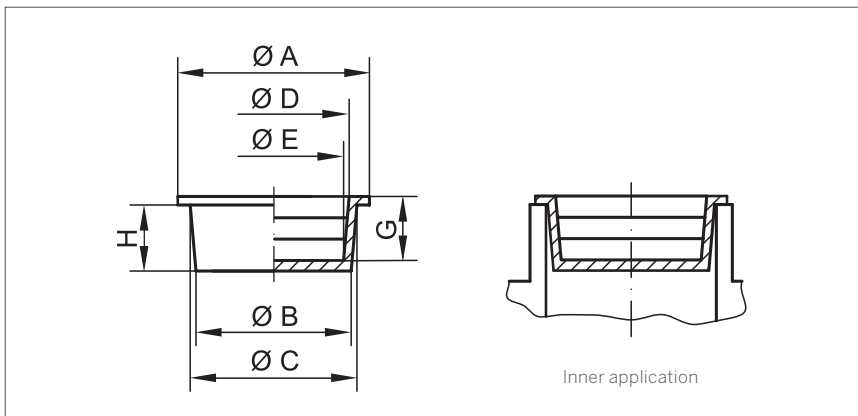
**PÖPPELMANN**

We will be happy to advise you: +49 4442 982-9166

**KAPSTO®**

# Tapered Closures

## GPN 600



Dimensions							Order no.
A	Inner application			D	E	G	
	B	C	H				
11.0	8.1	9.2	7.2	7.8	6.6	7.0	600 B 81
12.0	9.8	11.0	7.2	9.6	8.4	7.0	600 B 98
14.0	10.6	11.6	7.0	10.0	8.8	6.9	600 B 106
15.0	11.4	12.4	7.0	11.2	10.0	6.8	600 B 114
16.0	13.3	14.4	7.0	12.8	11.6	6.8	600 B 133
17.0	14.0	15.1	7.2	13.6	12.4	6.9	600 B 140
18.0	14.6	15.6	7.2	14.5	13.3	6.9	600 B 146
18.0	15.3	16.4	7.0	14.8	13.6	7.0	600 B 153
20.0	16.0	17.3	9.0	16.2	14.6	8.8	600 B 160
21.0	17.4	18.8	9.2	18.0	16.4	8.8	600 B 174
22.0	18.2	19.6	9.0	18.8	17.2	8.8	600 B 182
24.0	18.7	20.0	9.2	19.0	17.7	8.7	600 B 187
24.0	19.8	21.2	8.8	19.7	18.3	8.8	600 B 198
25.0	20.3	22.6	14.0	20.8	18.4	13.8	600 B 203
26.0	21.2	23.3	14.2	22.0	19.6	14.0	600 B 212
28.0	23.0	25.0	14.0	24.0	21.6	13.8	600 B 230
30.0	24.3	26.4	14.0	25.0	22.6	13.6	600 B 243
30.0	25.7	27.8	14.2	26.8	24.4	13.8	600 B 257
32.0	27.2	29.3	14.0	27.0	24.6	13.8	600 B 272
35.0	30.0	32.0	14.0	30.6	28.4	13.8	600 B 300
38.0	32.0	34.0	14.0	32.0	29.6	14.0	600 B 320
40.0	33.6	36.0	14.0	34.0	31.6	14.0	600 B 336
41.0	34.5	37.0	14.0	35.0	32.6	14.0	600 B 345
42.0	35.5	38.1	14.0	35.5	33.1	14.0	600 B 355
42.0	36.0	38.4	14.0	36.0	33.6	14.0	600 B 360
44.0	37.9	40.0	13.8	38.0	35.6	13.8	600 B 379
43.0	38.5	41.0	14.0	39.5	37.1	14.0	600 B 385
46.0	39.8	42.0	14.0	39.5	37.1	14.0	600 B 398
47.0	41.3	43.5	14.0	41.5	39.1	14.0	600 B 413
51.5	43.9	46.0	13.5	42.0	40.2	13.6	600 B 439
52.0	45.5	47.5	13.5	45.0	43.0	13.6	600 B 455
54.0	47.9	50.0	13.5	46.5	44.1	13.6	600 B 479
56.0	49.8	51.6	13.3	48.5	46.1	13.5	600 B 498
55.0	50.5	53.3	14.0	51.3	48.8	14.2	600 B 505
58.0	52.5	54.9	13.5	52.5	50.6	13.5	600 B 525
60.0	54.5	56.2	13.5	54.0	51.6	13.5	600 B 545
61.0	55.5	58.0	13.6	55.0	52.6	13.5	600 B 555
63.0	57.0	59.0	13.4	56.8	54.5	13.5	600 B 570
64.0	58.5	60.8	13.5	58.0	55.6	13.5	600 B 585
66.0	60.5	63.0	13.5	60.0	57.6	14.0	600 B 605
67.0	61.3	63.5	13.0	61.0	58.6	13.5	600 B 613
68.0	62.5	64.8	13.2	62.0	59.6	13.5	600 B 625
69.0	63.5	65.7	13.0	63.0	60.1	13.5	600 B 635
71.0	65.0	67.3	13.0	64.5	62.3	13.3	600 B 650
72.0	66.0	67.5	13.0	65.0	62.6	13.0	600 B 660
74.0	67.9	69.5	13.0	67.0	64.6	13.5	600 B 679
75.0	69.8	71.7	13.0	68.0	66.0	13.5	600 B 698
77.0	71.5	73.4	13.0	70.0	67.6	13.0	600 B 715
79.0	72.8	74.0	13.0	70.0	67.6	13.5	600 B 728
85.0	74.0	76.6	17.0	73.0	69.9	17.0	600 B 740
87.0	76.5	79.0	16.8	76.5	73.4	17.0	600 B 765
88.0	77.5	80.0	17.0	76.0	72.9	17.2	600 B 775
90.0	79.0	82.0	17.0	78.0	75.4	17.2	600 B 790
92.0	81.5	83.6	16.5	80.0	76.9	17.0	600 B 815
89.0	82.0	86.0	23.0	83.9	79.7	23.5	600 B 820
95.0	84.0	87.1	16.5	83.0	79.9	17.0	600 B 840

► Continued on page 68



Your KAPSTO® quality benefits:



**Multifunctional:** Can be used universally as plug or cap. The tapered design is ideal for accommodating tolerances.



**Additional information:** To close off bore holes and internal threads, or to protect studs and external threads.

**Material:** PE-LD; from GPN 600 B 915: PE-LLD  
**Colour:** Natural



**PÖPPELMANN**

Contact, product search, CAD data download and sample requests: [www.poeppelmann.com](http://www.poeppelmann.com)

**KAPSTO®**

# Tapered Closures

## GPN 600



### Your KAPSTO® quality benefits:

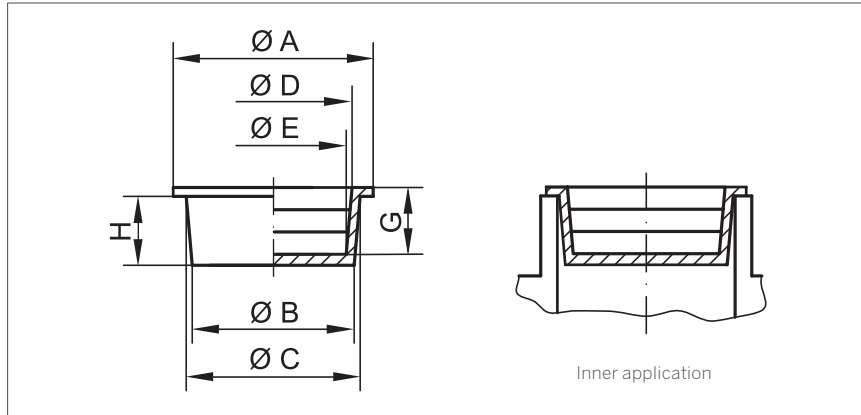


**Multifunctional:** Can be used universally as plug or cap. The tapered design is ideal for accommodating tolerances.



**Additional information:** To close off bore holes and internal threads, or to protect studs and external threads.

**Material:** PE-LD; from GPN 600 B 915: PE-LLD  
**Colour:** Natural



◀ Continued from page 67

Dimensions							
A	Inner application			D	E	G	Order no.
	B	C	H				
97.0	86.5	89.0	17.5	86.0	82.9	18.0	600 B 865
100.0	89.0	91.5	17.0	89.0	86.5	17.5	600 B 890
102.0	91.5	94.0	17.0	92.0	88.9	17.5	600 B 915
105.0	94.0	96.0	17.0	92.0	90.0	17.5	600 B 940
107.0	96.5	99.0	17.0	96.0	92.9	17.5	600 B 965
110.0	99.0	102.5	17.0	99.0	95.9	17.5	600 B 990
112.0	101.5	104.0	17.0	102.0	98.9	17.3	600 B 1015
115.0	104.0	106.5	17.0	104.0	100.9	17.5	600 B 1040
117.0	106.5	109.0	17.0	106.0	102.9	17.2	600 B 1065
120.0	109.0	111.0	17.0	108.0	105.0	17.5	600 B 1090
123.0	112.0	114.5	17.0	112.5	109.4	17.0	600 B 1120
125.0	114.0	117.0	16.6	114.5	111.4	17.2	600 B 1140
124.5	114.3	119.2	28.0	117.1	112.1	28.7	600 B 1143
130.0	119.0	123.0	23.0	120.2	116.1	23.0	600 B 1190
134.0	124.0	128.0	23.0	123.0	119.1	23.0	600 B 1240
137.6	127.5	130.6	23.0	127.6	123.6	22.5	600 B 1275
140.0	129.0	133.0	23.0	130.2	126.1	23.5	600 B 1290
143.0	133.0	137.0	23.0	133.0	129.0	22.5	600 B 1330
149.0	139.0	143.0	23.0	139.0	135.0	23.0	600 B 1390
159.5	146.8	152.6	33.0	149.9	144.0	33.5	600 B 1468
159.0	149.0	153.0	23.0	148.0	144.1	23.3	600 B 1490
163.6	153.5	157.5	23.0	153.6	149.6	23.0	600 B 1535
169.0	159.0	162.0	23.0	158.0	154.0	23.0	600 B 1590
170.0	160.0	164.0	23.0	160.0	156.0	23.0	600 B 1600
179.0	169.0	172.0	23.0	168.0	164.0	23.0	600 B 1690
184.0	174.0	177.0	23.0	173.0	169.0	22.5	600 B 1740
189.0	179.0	182.0	23.0	178.0	174.0	23.0	600 B 1790
192.0	181.5	184.5	23.0	180.5	176.5	23.0	600 B 1815
199.5	183.6	190.6	33.0	187.9	182.0	33.8	600 B 1836
209.0	199.0	202.0	22.5	198.0	194.0	22.5	600 B 1990
212.0	202.0	205.0	23.0	202.1	198.1	23.0	600 B 2020
213.0	203.0	205.0	23.0	202.0	199.0	23.0	600 B 2030
216.0	206.0	210.6	23.5	206.0	201.6	23.5	600 B 2060
235.0	218.0	222.0	22.5	217.4	213.5	22.5	600 B 2180
242.0	225.0	229.0	23.5	225.4	221.3	23.0	600 B 2250*
249.5	231.2	238.2	33.0	235.6	228.6	33.5	600 B 2312
267.0	249.0	252.0	22.5	248.0	244.1	22.5	600 B 2490
265.0	253.0	258.0	18.0	253.0	249.2	18.0	600 B 2530
314.0	293.4	300.2	32.5	296.7	289.8	33.0	600 B 2934
315.0	299.0	304.0	22.5	298.0	294.1	22.5	600 B 2990
326.0	308.0	313.0	21.8	308.0	303.4	21.8	600 B 3080
329.0	311.0	316.0	22.0	311.0	306.4	21.7	600 B 3110
358.0	338.0	343.0	22.0	338.0	333.4	21.8	600 B 3380
399.0	371.9	381.0	32.5	377.7	368.4	32.8	600 B 3719*
415.0	398.0	406.0	30.0	399.0	392.7	29.8	600 B 3980
455.0	435.0	443.0	30.0	437.0	430.7	30.0	600 B 4350
499.0	465.4	476.7	32.0	472.8	461.3	33.0	600 B 4654
506.0	484.0	491.0	30.0	486.0	479.7	30.0	600 B 4840

Size in mm

► Application Guide Data for Internal Use, see page 69

Colour and material alternatives, additional sizes, bespoke designs and technical cleanliness on request. For more information about materials, colours, drawings and application of our items, please see page 114/115.

\*These sizes are supplied with bore.



**PÖPPELMANN**

We will be happy to advise you: +49 4442 982-9166

**KAPSTO®**

# Tapered Closures

## GPN 600

### Application Guide Data for Internal Use

Metric threads						Pipe thread	Order no.
Standard thread	Fine thread						
M 10	M 10 x 1					1/8	600 B 81
M 12		M 12 x 1.5					600 B 98
	M 12 x 1						600 B 106
M 14						1/4	600 B 114
M 16	M 15 x 1						600 B 133
							600 B 140
M 18						3/8	600 B 146
	M 17 x 1		M 18 x 2				600 B 153
							600 B 160
		M 20 x 1.5	M 20 x 2				600 B 174
	M 20 x 1					1/2	600 B 182
M 22							600 B 187
M 24		M 22 x 1.5				5/8	600 B 198
			M 24 x 2				600 B 203
		M 24 x 1.5					600 B 212
M 27		M 26 x 1.5	M 26 x 2			3/4	600 B 230
	M 27 x 1	M 27 x 1.5	M 28 x 2				600 B 243
M 30	M 28 x 1	M 28 x 1.5		M 30 x 3			600 B 257
		M 30 x 1.5	M 30 x 2	M 32 x 3		7/8	600 B 272
	M 32 x 1	M 33 x 1.5	M 33 x 2	M 34 x 3			600 B 300
	M 34 x 1	M 35 x 1.5	M 35 x 2	M 36 x 3			600 B 320
M 39	M 36 x 1	M 36 x 1.5	M 37 x 2	M 38 x 3		1 1/8	600 B 336
	M 37 x 1	M 37 x 1.5	M 38 x 2	M 39 x 3	M 40 x 4		600 B 345
M 42	M 38 x 1	M 38 x 1.5	M 39 x 2	M 40 x 3			600 B 355
M 42		M 39 x 1.5	M 39 x 2		M 42 x 4		600 B 360
M 45	M 40 x 1	M 40 x 1.5	M 42 x 2	M 42 x 3		1 1/4	600 B 379
	M 42 x 1	M 42 x 1.5					600 B 385
				M 45 x 3	M 45 x 4		600 B 398
M 48			M 45 x 2			1 3/8	600 B 413
				M 48 x 3		1 1/2	600 B 439
M 52	M 48 x 1	M 48 x 1.5		M 50 x 3			600 B 455
	M 50 x 1	M 50 x 1.5		M 52 x 3		1 3/4	600 B 479
	M 52 x 1				M 55 x 4		600 B 498
				M 55 x 3	M 56 x 4		600 B 505
M 60	M 55 x 1	M 55 x 1.5	M 56 x 2		M 58 x 4		600 B 525
					M 60 x 4		600 B 545
	M 58 x 1	M 58 x 1.5		M 60 x 3		2	600 B 555
		M 60 x 1.5	M 60 x 2		M 62 x 4		600 B 570
			M 62 x 2		M 64 x 4		600 B 585
M 68			M 64 x 2	M 65 x 3			600 B 605
		M 64 x 1.5	M 65 x 2			2 1/4	600 B 613
	M 64 x 1				M 64 x 4	M 68 x 4	600 B 625
				M 68 x 3			600 B 635
			M 68 x 2				600 B 650
				M 72 x 3			600 B 679
			M 75 x 2			2 1/2	600 B 715
			M 76 x 2		M 80 x 6		600 B 728
					M 80 x 4		600 B 740
			M 80 x 2				600 B 765
					M 85 x 6	2 3/4	600 B 775
				M 85 x 4			600 B 790
			M 85 x 2				600 B 815
						3	600 B 820
				M 90 x 4	M 90 x 6		600 B 840
			M 90 x 2		M 95 x 6		600 B 865
				M 95 x 4		3 1/4	600 B 890
			M 95 x 2		M 100 x 6		600 B 915
				M 100 x 4			600 B 940
			M 100 x 2		M 105 x 6	3 1/2	600 B 965
				M 105 x 4			600 B 990
			M 105 x 2		M 110 x 6		600 B 1015
				M 110 x 4			600 B 1040
			M 110 x 2		M 115 x 6		600 B 1065
				M 115 x 4		4	600 B 1090
			M 115 x 2		M 120 x 6		600 B 1120
				M 120 x 4			600 B 1140
			M 120 x 2		M 125 x 6		600 B 1143
				M 125 x 4			600 B 1190
				M 130 x 4			600 B 1240
					M 135 x 6		600 B 1275
				M 140 x 4		5	600 B 1330
					M 155 x 6	5 1/2	600 B 1468
			M 155 x 3				600 B 1490
			M 160 x 3				600 B 1535
						6	600 B 1590
			M 165 x 3		M 170 x 6		600 B 1600
					M 190 x 6		600 B 1815
			M 190 x 3		M 195 x 6		600 B 1836
					M 210 x 6		600 B 2020



#### Additional information:

This application table is a guide only. We will be happy to send you free samples for testing. For apertures and bore holes without threads, please use dimensions B and C. Colour and material alternatives, additional sizes, bespoke designs and technical cleanliness on request. For more information about materials, colours, drawings and application of our items, please see page 114/115.

◀ Dimensions on pages 67/68



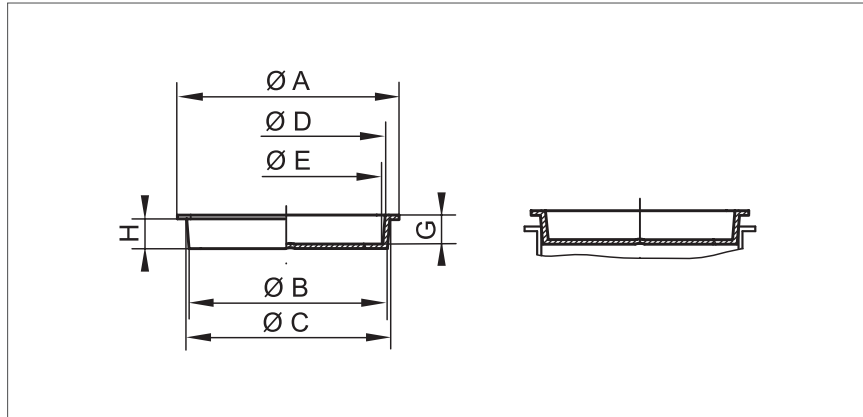
**PÖPPELMANN**

Contact, product search, CAD data download and sample requests: [www.poeppelemann.com](http://www.poeppelemann.com)

**KAPSTO®**

# Thin-Walled Closures

## GPN 601



Dimensions							Order no.
A	Inner application			D	E	G	
	B	C	H				
79.0	68.7	71.2	13.5	69.6	67.2	13.5	601 D 728
110.0	103.0	105.5	16.0	104.0	102.0	17.0	601 D 1055*
117.0	105.0	107.0	16.0	106.0	103.5	17.2	601 D 1070
128.0	119.5	121.5	15.3	120.9	118.0	15.9	601 D 1215
117.0	107.0	109.0	17.0	108.0	106.0	19.0	601 D 1090
130.0	120.0	123.0	23.0	121.5	118.0	24.4	601 D 1230
136.0	126.0	129.0	25.0	128.0	125.0	26.5	601 D 1290
136.0	128.0	130.6	23.0	129.0	127.0	24.2	601 D 1306
144.0	135.0	138.0	23.0	137.0	134.0	24.4	601 D 1380

Size in mm

Colour and material alternatives, additional sizes, bespoke designs and technical cleanliness on request. For more information about materials, colours, drawings and application of our items, please see page 114/115.

\*These sizes are supplied with bore.

### Your KAPSTO® quality benefits:



**Time-saving:** Easy handling due to being a thinner walled version of the GPN 600.



**Weight reduction:** Less material used during production.



**Multifunctional:** Can be used universally as plug or cap. The tapered design is ideal for accommodating tolerances.



**Technical cleanliness:** Production in accordance with VDA Band 19 and ISO 16232 in our specially equipped cleanroom on request. For more information, please see page 116/117.



**Additional information:** To close off bore holes and internal openings, or to protect studs and external threads.

**Material GPN 601:** PE-LLD  
**Colour:** Red



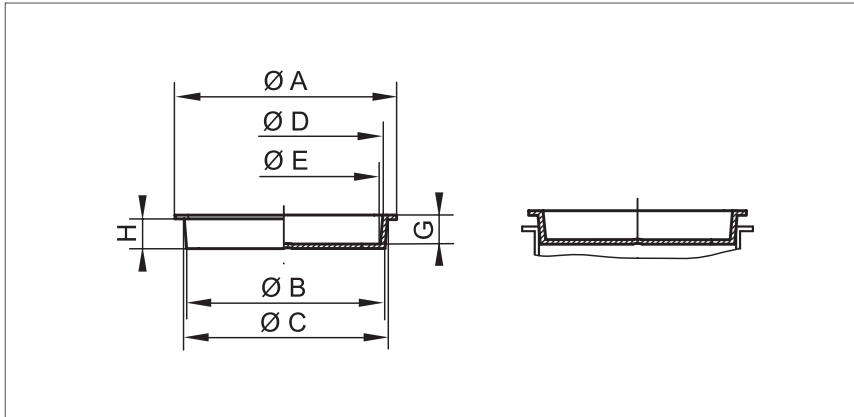
**PÖPPELMANN**

We will be happy to advise you: +49 4442 982-9166

**KAPSTO®**

# Thin-Walled Closures

## GPN 602



Dimensions							Order no.
A	Inner application			D	E	G	
	B	C	H				
110.0	103.0	105.0	16.0	104.0	102.0	17.0	602 D 1055*
117.0	104.5	107.0	16.0	106.0	103.0	17.2	602 D 1070
117.0	106.0	109.0	17.0	107.5	106.0	18.4	602 D 1090
130.0	119.5	123.0	23.0	122.0	118.0	24.4	602 D 1230
136.0	126.0	129.0	25.0	128.0	125.0	26.5	602 D 1290
136.5	128.0	130.6	23.0	129.0	127.0	24.2	602 D 1306
144.0	135.0	138.0	23.0	137.0	134.0	24.4	602 D 1380

Size in mm

Colour and material alternatives, additional sizes, bespoke designs and technical cleanliness on request. For more information about materials, colours, drawings and application of our items, please see page 114/115.

\*These sizes are supplied with bore.

>> You also might be interested in the following products: GPN 610, GPN 615, GPN 620



Protective Plugs

### Your KAPSTO® quality benefits:



**Time-saving:** Easy handling due to being a thinner walled version of the GPN 600.



**Weight reduction:** Less material used during production.



**Multifunctional:** Can be used universally as plug or cap. The tapered design is ideal for accommodating tolerances.



**Technical cleanliness:** Production in accordance with VDA Band 19 and ISO 16232 in our specially equipped cleanroom on request. For more information, please see page 116/117.



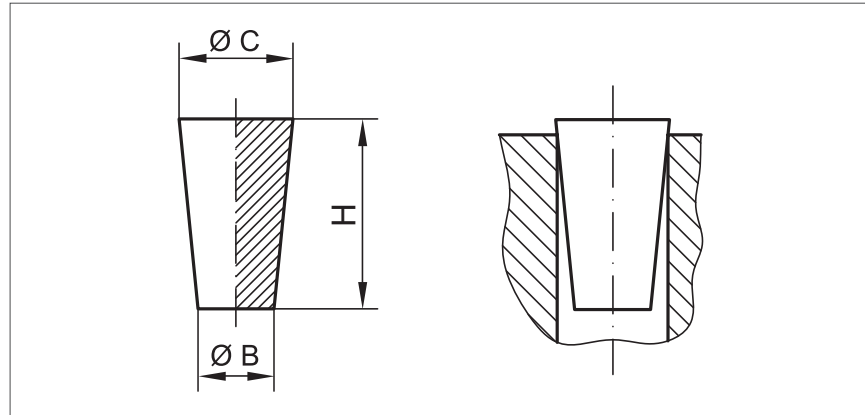
**Additional information:** To close off bore holes and internal openings, or to protect studs and external threads.

**Material:** PP  
**Colour:** Red



# Tapered Plugs

## GPN 605



### Your KAPSTO® quality benefits:



**Temperature resistant:**  
Extremely heat-resistant to 250 °C. More details: page 115, "Physical properties".



**Robust:** Solid design for increased demands.



**Multifunctional:** The tapered design is ideal for accommodating large tolerances.



**Additional information:**  
Suitable for closing off apertures, bore holes and internal threads.

**Material:** SI

**Colour:** Natural

Dimensions			Order no.
B	C	H	
0.8	3.2	16.0	605 / 0832
1.6	3.2	16.0	605 / 1632
1.6	4.8	16.0	605 / 1648
3.2	6.3	19.0	605 / 3263
4.8	8.7	16.0	605 / 4887
6.3	9.5	19.0	605 / 6395
6.3	9.5	12.7	605 / 6312
9.0	12.0	19.0	605 / 9012
10.0	15.0	25.0	605 / 1015
13.0	17.0	25.0	605 / 1317
14.0	19.0	25.0	605 / 1419
16.0	20.0	25.0	605 / 1620
18.0	24.0	25.0	605 / 1824
20.0	26.0	25.0	605 / 2026
23.0	27.0	25.0	605 / 2327
24.0	28.0	25.0	605 / 2428
26.0	32.0	25.0	605 / 2632
27.0	34.0	25.0	605 / 2734
30.0	37.0	25.0	605 / 3037
31.0	39.0	25.0	605 / 3139
33.0	41.0	25.0	605 / 3341
36.0	43.0	25.0	605 / 3643
37.0	45.0	25.0	605 / 3745
38.0	46.0	25.0	605 / 3846
42.0	50.0	25.0	605 / 4250
45.0	53.0	25.0	605 / 4553
48.0	56.0	25.0	605 / 4856
62.0	75.0	35.0	605 / 6275

Size in mm

Flash and foreign particles are permitted for these items. We advise to perform functional test before series launch. For more information about the application of our items, please see page 114/115.

>> You also might be interested in the following products: GPN 610, GPN 615, GPN 620

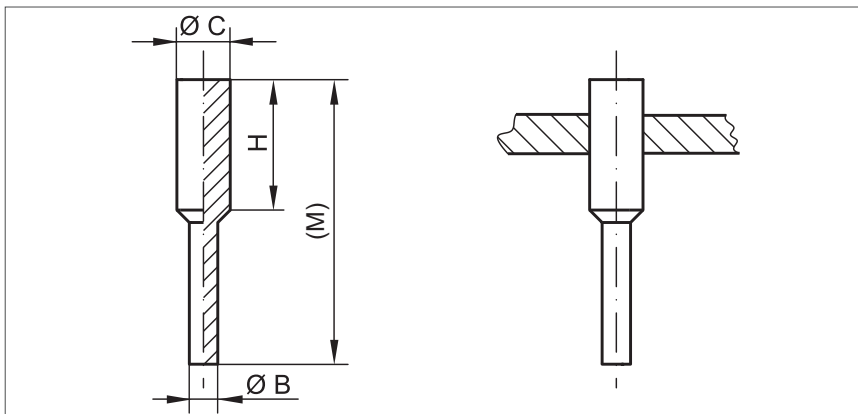


**PÖPPELMANN**

We will be happy to advise you: +49 4442 982-9166

**KAPSTO®**

# Pull Plugs GPN 606



Dimensions				Order no.
B	C	H	(M)	
2.4	3.3	15.9	32.3	606 / 0033
2.5	4.1	15.9	31.5	606 / 0041
3.3	5.5	25.4	51.4	606 / 0055
3.2	7.0	23.8	47.6	606 / 0070
3.9	8.5	25.4	53.2	606 / 0085
4.0	9.5	25.4	51.2	606 / 0095
4.9	10.4	25.6	53.8	606 / 0104
6.4	12.6	25.4	53.8	606 / 0126
9.5	16.3	25.4	54.5	606 / 0163
9.5	17.8	31.8	56.4	606 / 0178
9.5	19.6	25.4	56.3	606 / 0196

Size in mm

For more information about materials, colours, drawings and application of our items, please see page 114/115.

## Application Guide

Metric threads			Pipe thread	Order no.
Standard thread	Fine thread			
M 4				606 / 0033
M 5				606 / 0041
M 6				606 / 0055
M 8	M 8 x 1		G 1/16	606 / 0070
M 10	M 9 x 1			606 / 0085
	M 10 x 1		G 1/8	606 / 0095
M 11				606 / 0095
M 12	M 11 x 1	M 12 x 1.5		606 / 0104
M 14	M 13 x 1	M 14 x 1.5		606 / 0126
M 18	M 16 x 1	M 17 x 1	M 18 x 2	606 / 0163
M 20	M 18 x 1	M 19 x 1.5		606 / 0178
M 22	M 20 x 1	M 20 x 1.5	G 1/2	606 / 0196

This application table is a guide only. We will be happy to send you free samples for testing. For apertures and bore holes without threads, please use dimensions B and C. Flash and foreign particles are permitted for these items. We advise to perform functional test before series launch.

>> You also might be interested in the following products: GPN 255, GPN 551, GPN 605, GPN 607



### Your KAPSTO® quality benefits:



**Time-saving:** With pull tab  $\varnothing B$  for easy fitting and removal.



**Temperature resistant:** Extremely heat-resistant to 250 °C. More details: page 115, "Physical properties".



**Robust:** Solid design for increased demands.



**Additional information:** Suitable for through holes with or without thread.  $\varnothing C$  closes off,  $\varnothing B$  is used as pull tab.

**Material:** SI  
**Colour:** Natural



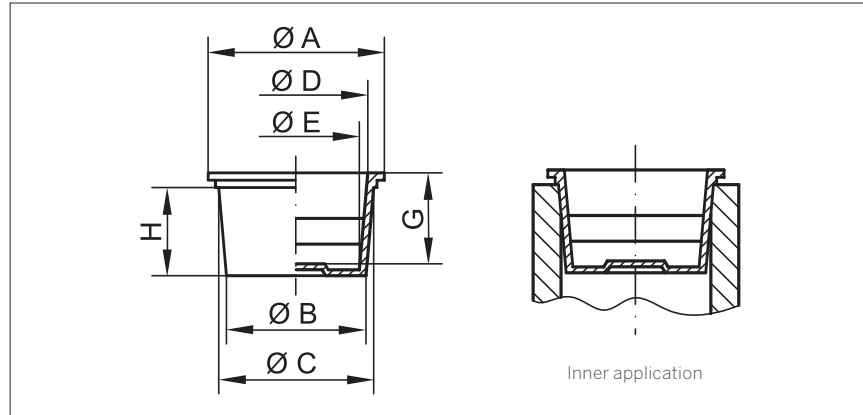
**PÖPPELMANN**

Contact, product search, CAD data download and sample requests: [www.poeppelemann.com](http://www.poeppelemann.com)

**KAPSTO®**

# Universal Protection

## GPN 610



Dimensions							
A	Inner application			D	E	G	Order no.
	B	C	H				
10.0	4.4	6.2	10.0	4.6	2.8	10.8	610 U 1
11.0	6.0	7.8	10.0	6.2	4.4	10.8	610 U 2
13.0	7.6	9.4	10.0	7.8	6.0	10.0	610 U 3
14.0	8.4	10.2	10.0	8.6	6.8	10.0	610 U 4
14.0	9.2	11.0	10.0	9.3	7.5	10.0	610 U 5
15.0	9.9	11.7	10.0	10.1	8.3	10.0	610 U 6
16.0	10.6	12.4	10.0	10.8	9.0	10.0	610 U 7
17.0	11.3	13.1	10.0	11.2	9.5	10.0	610 U 8
18.0	12.0	14.1	12.0	12.5	10.4	12.0	610 U 9
18.0	12.5	14.6	12.0	13.3	11.2	12.0	610 U 10
19.0	13.5	15.6	12.0	14.0	11.9	12.0	610 U 11
19.0	14.0	16.1	12.0	14.5	12.4	12.0	610 U 12
21.0	15.0	17.0	13.0	15.5	13.2	13.0	610 U 13
22.0	16.3	18.6	13.0	17.0	14.7	13.0	610 U 14
22.0	17.3	19.4	13.0	17.6	15.5	13.0	610 U 15
24.0	17.5	20.1	15.0	18.5	15.9	15.0	610 U 16
25.0	18.4	21.0	15.0	19.4	16.8	15.0	610 U 17
25.0	19.0	21.6	15.0	20.0	17.4	15.0	610 U 18
27.0	20.4	23.2	16.0	21.6	18.8	16.0	610 U 19
28.0	20.7	23.5	16.0	21.9	19.1	16.0	610 U 20
29.0	22.0	24.8	16.0	23.0	20.4	16.0	610 U 21
30.0	23.2	26.3	18.0	24.4	21.2	18.0	610 U 22
32.0	24.5	27.8	19.0	26.2	22.9	19.0	610 U 23
33.0	25.5	29.2	19.0	27.7	23.7	19.0	610 U 24
33.0	26.4	30.4	19.0	28.9	24.9	19.0	610 U 241
35.0	27.8	31.1	19.0	29.5	26.2	19.0	610 U 25
37.0	29.8	32.6	16.0	31.1	28.3	16.0	610 U 26
38.0	31.4	35.1	21.0	33.4	29.7	21.0	610 U 27
41.0	33.3	37.1	22.0	35.5	31.7	22.0	610 U 28
45.0	36.7	40.5	22.0	39.0	35.2	22.0	610 U 29
45.0	38.4	40.7	13.0	39.2	36.9	13.0	610 U 291
48.0	38.2	43.0	23.0	41.4	36.6	23.0	610 U 30
48.0	39.6	42.9	19.0	41.3	38.0	19.0	610 U 31
49.0	41.4	44.7	19.0	43.0	39.7	19.0	610 U 32
51.0	44.4	47.7	19.0	46.1	42.8	19.0	610 U 33
54.0	45.2	49.6	25.0	48.0	43.6	25.0	610 U 34
55.0	46.6	51.0	25.0	48.7	45.2	25.0	610 U 35
62.0	52.5	56.9	25.0	55.2	50.8	25.0	610 U 36
65.0	54.0	59.3	25.0	57.8	52.5	25.0	610 U 37
65.0	54.2	58.6	25.0	57.0	52.6	25.0	610 U 38
67.0	58.4	62.8	25.0	61.1	56.7	25.0	610 U 39
71.0	60.7	67.1	29.0	64.3	57.5	28.5	610 U 40
75.0	67.1	70.4	19.0	68.7	65.4	19.0	610 U 41
83.0	72.4	75.7	19.0	74.1	70.8	19.0	610 U 42
92.0	84.5	87.8	19.0	85.7	82.4	19.0	610 U 43

### Your KAPSTO® quality benefits:



**Multifunctional:** Can be used universally as plug or cap. The tapered design is ideal for accommodating tolerances.



**Technical cleanliness:** Production in accordance with VDA Band 19 and ISO 16232 in our specially equipped cleanroom on request. For more information, please see page 116/117.



**Additional information:** To close off bore holes and internal threads, or to protect studs and external threads.

**Material:** PE-LD

**Colour:** Yellow

Size in mm

► **Application Guide Data for Internal Use, see page 75**

Colour and material alternatives, additional sizes, bespoke designs and technical cleanliness on request. For more information about materials, colours, drawings and application of our items, please see page 114/115.



**PÖPPELMANN**

We will be happy to advise you: +49 4442 982-9166

**KAPSTO®**

# Universal Protection

## GPN 610

### Application Guide Data for Internal Use

Standard thread	Metric threads			Pipe thread	Order no.	
	Fine thread					
M 6	M 6 x 0.5	M 6 x 0.75			610 U 1	
M 8	M 8 x 1				610 U 2	
M 10	M 9.5 x 1	M 10 x 1.25		1/8	610 U 3	
M 11	M 10.5 x 1				610 U 4	
M 12	M 11 x 1	M 12 x 1.5			610 U 5	
	M 12 x 1	M 12 x 1.25			610 U 6	
M 14	M 12.5 x 1			1/4	610 U 7	
	M 13.5 x 1	M 14 x 1.5			610 U 8	
	M 14 x 1	M 15 x 1.5			610 U 9	
M 16	M 14.5 x 1	M 15 x 1			610 U 10	
	M 16 x 1	M 16 x 1.5	M 17 x 2		610 U 11	
M 18		M 17 x 1.5		3/8	610 U 12	
	M 17 x 1	M 18 x 1.5			610 U 13	
M 20		M 19 x 1.5	M 20 x 2		610 U 14	
		M 20 x 1.5		1/2	610 U 15	
M 22	M 20 x 1		M 21 x 2	1/2	610 U 16	
	M 21 x 1		M 22 x 2		610 U 17	
M 24		M 22 x 1.5		5/8	610 U 18	
	M 23 x 1		M 24 x 2		610 U 19	
		M 24 x 1.5			610 U 20	
M 27		M 25 x 1.5	M 26 x 2		610 U 21	
	M 26 x 1		M 27 x 2	M 28 x 3	3/4	610 U 22
M 30	M 27 x 1	M 28 x 1.5			610 U 23	
	M 29 x 1	M 29 x 1.5	M 30 x 2		7/8	610 U 24
M 33	M 30 x 1	M 30 x 1.5		M 32 x 3		610 U 241
M 33	M 31 x 1	M 31 x 1.5	M 32 x 2		1	610 U 25
M 36	M 32 x 1	M 33 x 1.5				610 U 26
	M 34 x 1	M 35 x 1.5	M 36 x 2			610 U 27
M 39	M 36 x 1	M 37 x 1.5		M 39 x 3	1 1/8	610 U 28
	M 40 x 1	M 40 x 1.5		M 42 x 3	1 1/4	610 U 29
			M 42 x 2			610 U 291
M 45	M 42 x 1	M 42 x 1.5		M 45 x 4		610 U 30
	M 42 x 1			M 45 x 3	1 3/8	610 U 31
	M 44 x 1	M 45 x 1.5		M 48 x 4		610 U 32
M 52		M 48 x 1.5	M 48 x 2	M 50 x 3		610 U 33
		M 50 x 1.5	M 50 x 2	M 52 x 4		610 U 34
M 56	M 50 x 1	M 50 x 1.5		M 52 x 3		610 U 35
M 60	M 56 x 1	M 56 x 1.5		M 58 x 3		610 U 36
M 64	M 58 x 1	M 58 x 1.5		M 60 x 3	2	610 U 37
M 64	M 58 x 1	M 58 x 1.5		M 60 x 3	2	610 U 38
M 68	M 62 x 1	M 62 x 1.5		M 64 x 3		610 U 39
	M 65 x 1	M 65 x 1.5		M 68 x 4		610 U 40
	M 70 x 1	M 70 x 1.5		M 72 x 3		610 U 41
	M 75 x 1	M 76 x 1.5				610 U 42
				M 90 x 3		610 U 43



#### Additional information:

This application table is a guide only. We will be happy to send you free samples for testing. For apertures and bore holes without threads, please use dimensions B and C. Colour and material alternatives, additional sizes, bespoke designs and technical cleanliness on request. For more information about materials, colours, drawings and application of our items, please see page 114/115.

◀ Dimensions on page 74

>> You also might be interested in the following products: GPN 600, GPN 615, GPN 620

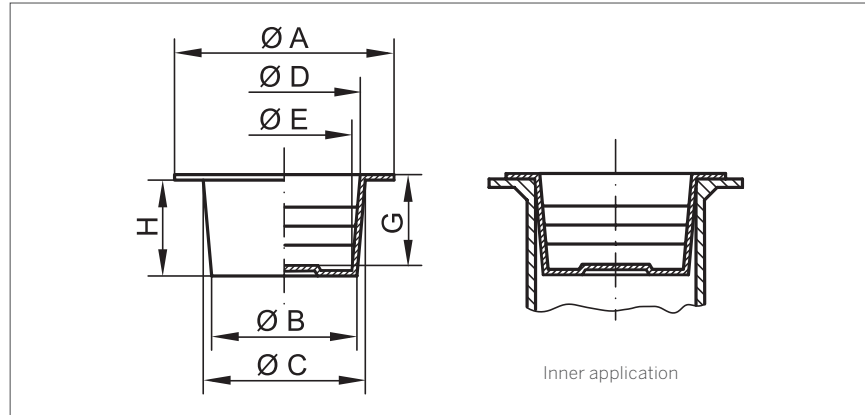


**PÖPPELMANN**

**KAPSTO®**

# Universal Protection

## GPN 620



### Your KAPSTO® quality benefits:



**Multifunctional:** Can be used as a plug or cap for a wide range of applications. Tapered design for accommodating tolerances.



**Technical cleanliness:** Production in accordance with VDA Band 19 and ISO 16232 in our specially equipped cleanroom on request. For more information, please see page 116/117.



**Additional information:** Same design as GPN 610 but with larger cover flange.

**Material:** PE-LD  
**Colour:** Yellow

Dimensions							
A	Inner application			D	E	G	Order no.
	B	C	H				
22.0	4.4	6.3	11.0	4.6	2.7	11.2	620 U 1 B
23.0	6.0	7.9	11.0	6.1	4.3	11.2	620 U 2 B
25.0	7.6	9.5	11.0	7.8	5.9	11.0	620 U 3 B
26.0	8.4	10.3	11.0	8.6	6.8	10.0	620 U 4 B
26.0	9.2	11.0	11.0	9.3	7.5	10.0	620 U 5 B
27.0	9.9	11.7	11.0	10.0	8.3	10.0	620 U 6 B
28.0	10.6	12.4	11.0	10.6	8.8	10.0	620 U 7 B
29.0	11.3	13.2	11.0	11.6	9.8	10.0	620 U 8 B
30.0	12.0	14.2	13.0	12.5	10.4	12.0	620 U 9 B
30.0	12.5	14.6	13.0	13.1	11.2	12.0	620 U 10 B
31.0	13.8	15.9	13.0	14.1	12.0	12.0	620 U 11 B
31.0	14.0	16.4	13.0	14.5	12.2	12.0	620 U 12 B
33.0	15.0	17.2	14.0	15.5	13.4	13.0	620 U 13 B
34.0	16.5	18.8	14.0	17.1	14.8	13.0	620 U 14 B
34.0	17.4	19.6	14.0	17.8	15.6	13.0	620 U 15 B
36.0	17.7	20.3	16.0	18.6	16.0	15.0	620 U 16 B
37.0	18.6	21.2	16.0	19.5	16.9	15.0	620 U 17 B
37.0	19.3	21.9	16.0	20.1	17.6	15.0	620 U 18 B
39.0	20.8	23.5	17.0	21.8	18.9	16.0	620 U 19 B
40.0	21.2	24.0	17.0	22.1	19.3	16.0	620 U 20 B
41.0	22.3	25.2	17.0	23.4	20.4	16.0	620 U 21 B
42.0	23.7	27.0	19.0	24.1	20.9	18.0	620 U 22 B
44.0	25.0	28.3	20.0	26.4	23.0	19.0	620 U 23 B
45.0	26.4	29.5	20.0	27.7	24.7	19.0	620 U 24 B
47.0	28.3	31.4	20.0	29.7	26.4	19.0	620 U 25 B
49.0	29.8	32.9	20.0	31.2	28.1	19.0	620 U 26 B
50.0	32.0	35.5	22.0	33.6	29.8	21.0	620 U 27 B
52.0	33.8	37.8	23.0	36.0	31.9	22.0	620 U 28 B
54.0	36.4	40.2	22.0	38.4	34.5	21.0	620 U 29 B
60.0	39.2	43.1	23.0	41.3	37.2	22.0	620 U 31 B
70.0	41.3	44.8	20.0	43.0	39.5	19.0	620 U 32 B
64.0	44.4	47.9	20.0	46.1	42.6	19.0	620 U 33 B
66.0	50.5	53.1	14.0	51.1	48.8	13.7	620 U 351 B
74.3	52.7	56.6	25.0	54.6	51.0	24.7	620 U 36 B
85.0	62.5	67.5	20.5	66.0	60.4	20.5	620 U 401 B

Size in mm

Colour and material alternatives, additional sizes, bespoke designs and technical cleanliness on request. For more information about materials, colours, drawings and application of our items, please see page 114/115.

>> You also might be interested in the following products: GPN 610, GPN 615



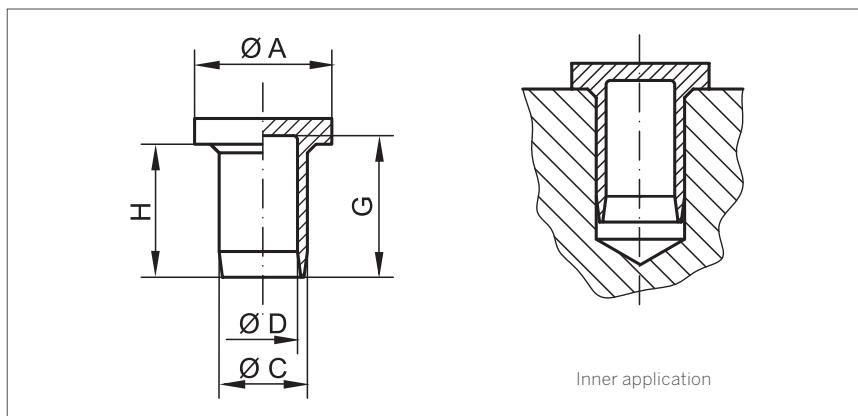
**PÖPPELMANN**

We will be happy to advise you: +49 4442 982-9166

**KAPSTO®**

# Closures

## GPN 900



Dimensions					
A	Inner application		D	G	Order no.
	C	H			
13.0	7.2	9.0	5.2	10.5	900 A 7
12.0	8.3	16.0	6.0	17.0	900 A 8.5
12.0	8.9	9.5	5.8	10.5	900 A 8.9
11.0	9.0	9.5	7.4	10.5	900 A 9
16.0	10.3	15.5	8.0	16.5	900 A 10.5
16.0	10.8	15.8	8.0	17.0	900 A 11
18.0	12.0	10.0	9.8	11.2	900 A 12
20.0	12.4	16.2	10.0	17.6	900 A 12.5
15.0	12.8	9.5	11.3	10.5	900 A 12.5 x 9.5
18.0	13.4	10.0	11.5	10.0	900 A 13.5
17.0	14.7	9.5	11.7	10.5	900 A 14
20.0	14.5	20.8	11.5	21.1	900 A 14.5
20.0	15.2	12.7	12.8	13.7	900 A 15
22.0	16.6	21.0	13.5	22.0	900 A 16.5
24.0	16.6	9.0	13.5	10.5	900 A 16.5 x 9
20.0	17.0	9.5	14.5	10.5	900 A 16.9
20.0	17.0	24.0	14.5	25.5	900 A 17
21.0	18.4	25.0	15.5	26.0	900 A 18.5 x 21
28.0	18.4	25.0	15.5	26.0	900 A 18.5
25.0	18.9	10.5	16.5	11.0	900 A 19
21.5	19.3	9.5	17.4	10.5	900 A 19.5
28.0	20.2	21.0	17.8	21.5	900 A 20
22.0	20.7	9.5	17.7	10.5	900 A 21
22.5	21.0	16.0	18.6	16.0	900 A 21 x 16
25.0	22.5	12.0	19.7	12.5	900 A 22.5
28.0	23.9	29.0	20.3	29.5	900 A 24
32.0	24.5	10.0	21.2	10.5	900 A 24.5
26.0	24.6	25.0	21.5	26.0	900 A 24.5 x 25
29.0	24.7	31.5	23.1	32.0	900 A 24.7
28.0	25.5	17.0	22.3	18.5	900 A 25.5
31.0	27.0	20.5	24.8	21.8	900 A 27
32.0	28.4	9.5	26.0	10.0	900 A 28.5
33.0	30.0	19.0	27.3	20.5	900 A 30
34.0	31.0	9.5	28.0	10.5	900 A 31
36.0	32.5	21.0	29.6	22.5	900 A 32
37.0	32.8	19.0	29.4	20.0	900 A 33
47.0	38.8	21.0	35.4	22.0	900 A 39
43.0	40.5	9.5	37.5	11.0	900 A 41
50.0	44.8	19.0	41.4	20.0	900 A 45
53.5	51.0	24.0	48.3	25.5	900 A 51
54.5	52.0	9.5	49.0	10.5	900 A 52
61.0	58.0	12.5	55.0	12.5	900 A 58*
69.0	64.0	29.0	61.5	30.5	900 A 64
72.0	69.5	29.0	66.5	29.5	900 A 69
80.0	76.0	20.0	70.0	20.5	900 A 76

Size in mm

Colour and material alternatives, additional sizes, bespoke designs and technical cleanliness on request. For more information about materials, colours, drawings and application of our items, please see page 114/115.



Your KAPSTO® quality benefits:



**Multifunctional:** Cylindrical closure - can be used as plug or cap.



**Technical cleanliness:** Production in accordance with VDA Band 19 and ISO 16232 in our specially equipped cleanroom on request. For more information, please see page 116/117.

**Material:** PE-LD

**Material\*:** PE-LLD

**Colour:** Natural



**PÖPPELMANN**

Contact, product search, CAD data download and sample requests: [www.poeppelemann.com](http://www.poeppelemann.com)

**KAPSTO®**



# Covers

## GPN 910

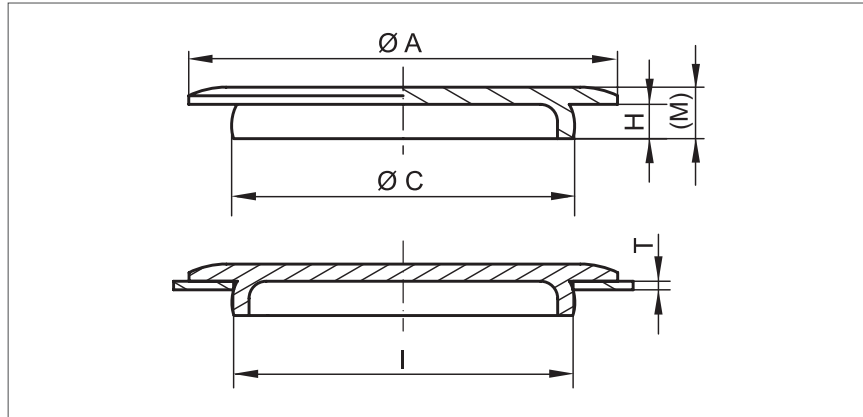


Your KAPSTO® quality benefits:



**Additional information:**  
Flat design, ideal for closing apertures in cover panels.

**Material:** PE-LLD  
**Colour:** Black



Suitable for casings		Dimensions				Order no.
Aperture I	Wall thickness T	A	C	H	(M)	
12.0	1.0	16.0	12.3	3.0	5.0	910 / 3280
15.0	1.0	18.0	15.4	4.0	5.0	910 / 2179
17.3	1.0	20.0	17.6	4.0	6.0	910 / 3759
20.0	1.0	35.0	20.5	5.0	7.5	910 / 2967
20.5	1.0	25.0	21.1	2.5	4.0	910 / 0766
25.0	1.5	28.0	26.0	4.0	6.2	910 / 4015
25.5	1.0	38.0	26.0	5.3	7.4	910 / 3040
26.3	2.2	38.0	27.0	7.5	9.5	910 / 3043
26.5	1.5	38.0	27.0	4.3	6.3	910 / 0763
33.0	1.5	36.0	33.5	4.0	6.0	910 / 3790
36.0	2.0	53.0	36.5	5.0	7.0	910 / 5539
39.5	0.9	50.0	40.0	4.0	6.0	910 / 3205
39.7	0.8	50.0	40.4	2.4	4.2	910 / 4010
50.0	1.0	55.0	50.6	4.0	6.0	910 / 3097
53.0	1.5	62.0	53.8	4.0	6.0	910 / 0715
60.8	2.2	66.0	61.5	7.8	9.8	910 / 3044
61.0	1.5	68.0	62.0	4.0	5.8	910 / 0714
64.0	1.5	85.0	64.6	4.1	6.1	910 / 3791
71.0	1.5	76.0	71.5	5.0	7.5	910 / 2713
72.0	3.0	90.0	72.8	7.5	9.5	910 / 3042
74.5	1.5	83.0	75.0	8.0	10.0	910 / 3223
81.5	1.5	90.0	82.0	8.0	10.0	910 / 3222
92.0	3.0	103.0	93.0	7.7	9.7	910 / 3277
100.0	2.0	109.0	101.0	5.0	7.0	910 / 4395

Size in mm

Colour and material alternatives, additional sizes, bespoke designs and technical cleanliness on request. For more information about materials, colours, drawings and application of our items, please see page 114/115.

>> You also might be interested in the following products: GPN 300 F, GPN 600, GPN 915



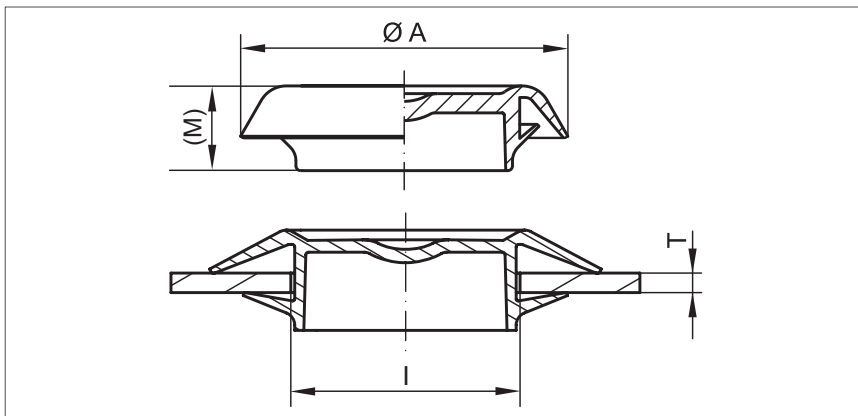
**PÖPPELMANN**

We will be happy to advise you: +49 4442 982-9166

**KAPSTO®**

# Sealing Plugs

## GPN 915



Suitable for casings		Dimensions		Order no.
Aperture l	Wall thickness T	A	(M)	
12.0 - 13.0	0.5 - 3.0	20.8	9.0	915 / 12
15.0 - 17.0	0.5 - 3.0	23.8	8.9	915 / 15
19.5 - 21.5	0.5 - 3.0	27.9	8.8	915 / 20
25.0 - 27.0	0.5 - 3.0	34.0	8.6	915 / 25
30.0 - 31.0	0.5 - 3.0	39.0	8.9	915 / 30
34.5 - 36.5	0.5 - 3.0	48.0	11.0	915 / 35
50.0 - 52.0	0.5 - 3.0	59.0	8.8	915 / 50

Size in mm

Colour and material alternatives, additional sizes, bespoke designs and technical cleanliness on request. For more information about materials, colours, drawings and application of our items, please see page 114/115.

>> You also might be interested in the following products: GPN 300 F, GPN 910



Your KAPSTO® quality benefits:



**Temperature resistant:**  
Heat-resistant to 150 °C.  
More details: page 115,  
"Physical properties".



**Leak-proof:** Provides limited  
sealing action against ingress  
or outflow of fluids.



**Multifunctional:** Suitable for  
various wall thicknesses and  
diameters.



**Additional information:** Ideal  
for closing of holes in cover  
panels.

**Material:** PHT  
**Colour:** Black



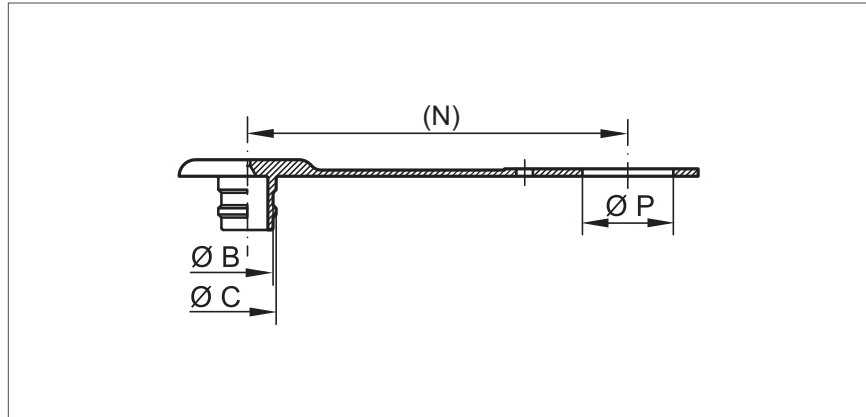
**PÖPPELMANN**

Contact, product search, CAD data download and sample requests: [www.poeppele.com](http://www.poeppele.com)

**KAPSTO®**

# Protective Dust Plugs

## GPN 920 Type A



Suitable for nominal size	Dimensions				Order no.
	B	C	(N)	P	
1/4	11.0	12.0	125.0	22.0	920 / 9998
3/8	16.0	18.0	125.0	22.0	920 / 9996
1/2	20.0	23.6	135.0	29.0	920 / 4982
1/2	20.0	23.6	135.0	27.0	920 / 5370

Size in mm

Colour and material alternatives, additional sizes, bespoke designs and technical cleanliness on request. For more information about materials, colours, drawings and application of our items, please see page 114/115.

>> You also might be interested in the following products:  
GPN 920 Form B, GPN 930 Form A, GPN 930 Form B

### Your KAPSTO® quality benefits:



#### Standard protection:

Protects open plug-in couplings from damage and contamination.



**Leak-proof:** Provides limited sealing action against an ingress or outflow of fluids.



#### Additional information:

Self-retaining design due to integral strap.

**Material:** PE-LD

**Colour:** Red



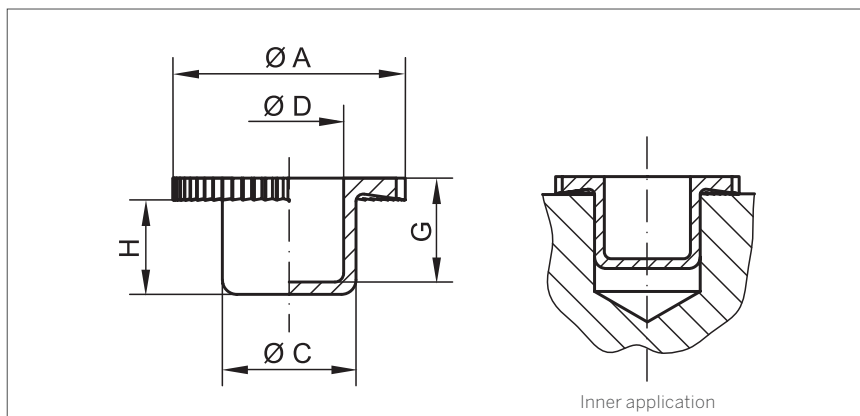
**PÖPPELMANN**

We will be happy to advise you: +49 4442 982-9166

**KAPSTO®**

# Protective Plugs

## GPN 950



Dimensions					
A	Inner application		D	G	Order no.
	C	H			
10.0	5.4	6.0	3.9	7.3	950 / 0054
10.5	6.7	7.0	5.2	7.8	950 / 0067
14.0	7.2	6.5	5.7	7.2	950 / 0072
16.0	9.6	6.5	7.7	7.2	950 / 0092
20.0	10.5	5.0	8.4	6.2	950 / 0105
18.0	10.6	8.5	9.0	9.2	950 / 0106
20.0	12.6	8.0	11.0	9.2	950 / 0126
22.0	13.1	8.0	11.5	9.2	950 / 0131
22.0	14.7	10.0	13.1	11.2	950 / 0147
20.0	15.7	8.0	13.5	8.9	950 / 0157
24.0	16.8	8.5	15.5	9.2	950 / 0168
24.0	18.0	7.2	16.0	8.0	950 / 0180
28.0	18.8	10.0	17.5	11.2	950 / 0188
28.0	19.3	10.0	17.7	11.2	950 / 0193
30.0	20.8	10.0	19.5	11.2	950 / 0208
31.8	22.9	10.0	21.7	11.4	950 / 0229
33.5	25.1	10.0	23.6	11.3	950 / 0250

Size in mm

Colour and material alternatives, additional sizes, bespoke designs and technical cleanliness on request. For more information about materials, colours, drawings and application of our items, please see page 114/115.

>> You also might be interested in the following products: GPN 300 F, GPN 305



Your KAPSTO® quality benefits:



**Multifunctional:**  
Can be used as cap or plug.



**Technical cleanliness:**  
Production in accordance with VDA Band 19 and ISO 16232 in our specially equipped cleanroom on request. For more information, please see page 116/117.



**Additional information:**  
With knurled collar. Suitable for bore holes, internal and external threads or pipe ends.

**Material:** PE-LD  
**Colour:** Natural



Have you ever asked  
yourself, why our caps  
and plugs quality is  
exemplary?

One answer is:

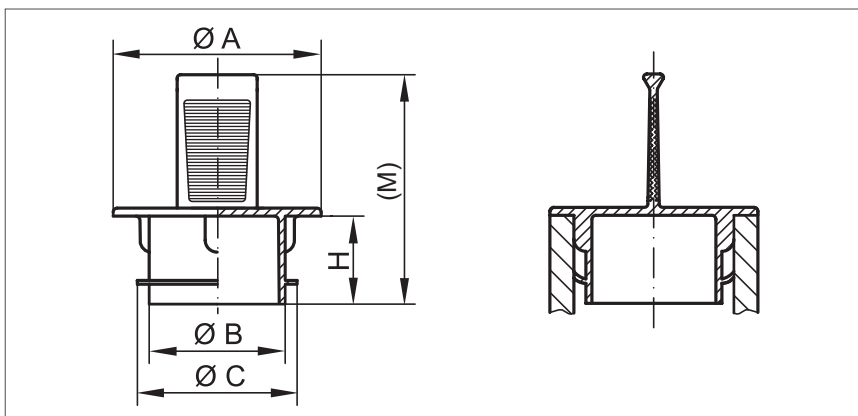
**Christoph.**

For all answers, please  
see page 122/123.

**We are doing it.**



# Grip Plugs GPN 305



Dimensions					Order no.
A	B	C	H	(M)	
11.0	3.0	5.3	11.0	24.0	305 GV 5
10.0	5.0	7.1	13.0	27.0	305 GV 7
18.0	8.5	10.4	11.0	24.0	305 GV 10
19.0	9.5	11.4	11.0	24.0	305 GV 11
18.0	10.0	12.5	10.0	31.0	305 GV 12
15.0	11.0	13.5	10.0	26.0	305 GV 13
20.0	11.5	14.0	7.5	20.5	305 GV 14
21.5	14.0	15.4	11.0	24.0	305 GV 15
23.5	15.8	18.3	7.5	20.5	305 GV 18
28.5	17.0	19.4	11.0	24.0	305 GV 19

Size in mm

Colour and material alternatives, additional sizes, bespoke designs and technical cleanliness on request. For more information about materials, colours, drawings and application of our items, please see page 114/115.

## Application Guide

Metric threads		Order no.	
Standard thread	Fine thread		
M 6	M 6 x 0.75	305 GV 5	
M 8		305 GV 7	
M 12		305 GV 10	
		305 GV 11	
M 14		305 GV 12	
		305 GV 14	
	M 16 x 1	305 GV 15	
		305 GV 18	
	M 20 x 1	M 20 x 1.5	305 GV 19

This application table is a guide only. We will be happy to send you free samples for testing. For apertures and bore holes without thread, please use dimensions B and C.

>> You also might be interested in the following products:  
GPN 308, GPN 310, GPN 330, GPN 630



Grip Plugs

### Your KAPSTO® quality benefits:



**Time-saving:** With ergonomically designed removal tab for easy handling.



**Additional information:** Protection for hoses, bore holes and internal threads. With circumferential ribs and centring segments for firm fit.

**Material:** EVA, free from plasticisers  
**Colour:** Yellow



**PÖPPELMANN**

Contact, product search, CAD data download and sample requests: [www.poeppele.com](http://www.poeppele.com)

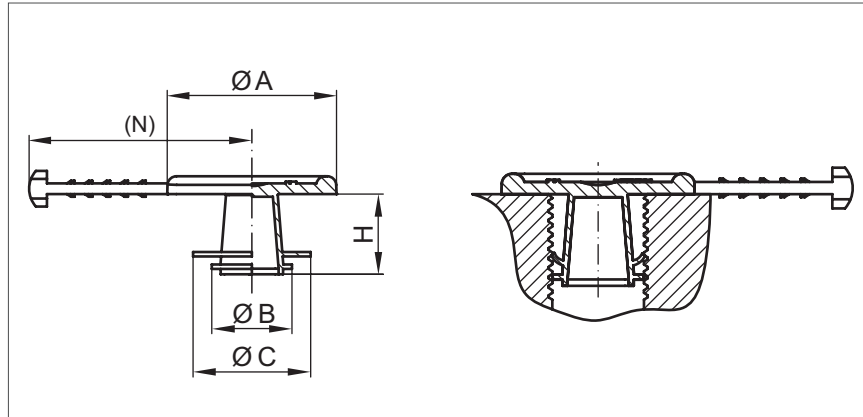
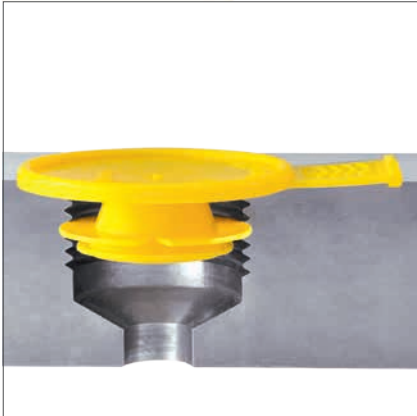
**KAPSTO®**



# Grip Plugs

## GPN 308

**NEW**



Dimensions					Order no.
A	B	C	H	(N)	
19.0	9.0	13.2	9.0	25.0	308 SL 132
22.7	12.0	16.5	7.0	27.0	308 SL 165
30.0	15.5	19.5	8.0	31.0	308 SL 195
34.3	19.3	23.8	9.5	32.0	308 SL 238
40.0	22.5	27.6	9.5	35.0	308 SL 276
45.0	29.9	34.5	10.0	38.0	308 SL 345

Size in mm

Colour and material alternatives, additional sizes, bespoke designs and technical cleanliness on request. For more information about materials, colours, drawings and application of our items, please see page 114/115.

### Your KAPSTO® quality benefits:



**Time-saving:** Newly designed removal tab for fast handling. Protected tab design.



**Multifunctional:** Suitable for different thread sizes. Flexible ribs for accommodating large tolerances.



**Additional information:** Protection for bore holes and internal threads.

**Material:** PE-LD  
**Colour:** Yellow

### Application Guide

Metric thread	Pipe thread	Unified Thread pursuant to ASME / ANSI B 1.1 / UN / UNC / UNF / UNEF	Order no.
M 10	1/8	7/16	308 SL 132
M 12			308 SL 132
M 14	1/4	1/2	308 SL 165
M 16		5/8	308 SL 165
		9/16	308 SL 165
M 18	3/8	3/4	308 SL 195
M 20			308 SL 195
M 22	1/2	7/8	308 SL 238
M 24	5/8		308 SL 238
M 26	3/4	1 1/16	308 SL 276
M 28		1 1/8	308 SL 276
M 30	1	1 1/4	308 SL 345
M 36		1 3/8	308 SL 345

This application table is a guide only. We will be happy to send you free samples for testing. For apertures and bore holes without thread, please use dimensions B and C.

>> You also might be interested in the following products: GPN 305, GPN 310, GPN 315



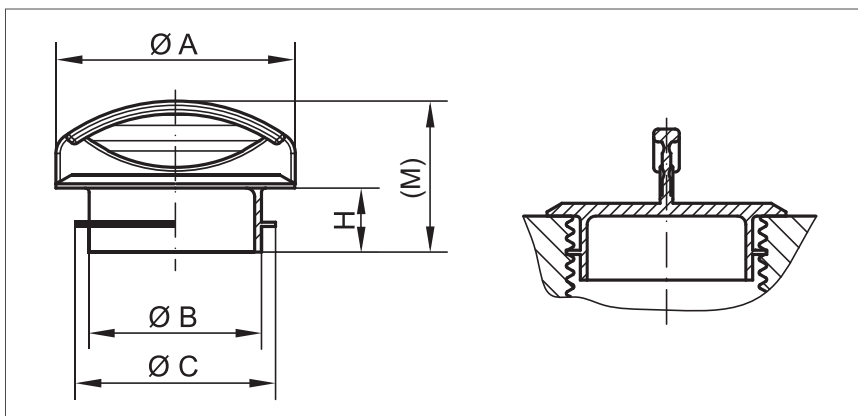
**PÖPPELMANN**

We will be happy to advise you: +49 4442 982-9166

**KAPSTO®**

# Grip Plugs

## GPN 310



Dimensions					Order no.
A	B	C	H	(M)	
14.0	4.0	7.0	5.5	15.0	310 G 8
16.0	5.0	10.5	5.5	15.0	310 G 11
15.6	8.0	13.0	5.5	14.7	310 G 13
19.6	11.4	16.5	5.5	15.2	310 G 16
22.8	15.6	21.3	7.5	17.1	310 G 21
25.7	17.3	22.3	7.5	18.5	310 G 22
28.0	20.2	23.5	7.5	17.7	310 G 23
30.0	20.6	25.5	7.5	19.7	310 G 25
35.0	22.5	27.5	7.5	19.0	310 G 28
38.0	24.5	29.7	7.5	19.0	310 G 30

Size in mm

Colour and material alternatives, additional sizes, bespoke designs and technical cleanliness on request. For more information about materials, colours, drawings and application of our items, please see page 114/115.

## Application Guide

Metric threads				Pipe thread	Order no.
Standard thread	Fine thread				
M 7					310 G 8
M 11	M 10 x 1				310 G 11
		M 12 x 1.5			310 G 13
	M 13 x 1	M 13 x 1.5		1/4	310 G 13
M 14		M 14 x 1.5			310 G 13
	M 16 x 1				310 G 16
		M 17 x 1.5		3/8	310 G 16
M 18					310 G 16
	M 20 x 1	M 20 x 1.5			310 G 21
	M 21 x 1	M 21 x 1.5		1/2	310 G 21
M 22			M 22 x 2		310 G 21
M 24	M 22 x 1	M 22 x 1.5		5/8	310 G 22
	M 23 x 1	M 24 x 1.5	M 24 x 2		310 G 23
	M 25 x 1	M 25 x 1.5			310 G 25
		M 26 x 1.5	M 26 x 2	3/4	310 G 25
M 27					310 G 25
M 30	M 27 x 1	M 28 x 1.5	M 28 x 2		310 G 28
	M 29 x 1	M 30 x 1.5	M 30 x 2	7/8	310 G 30

This application table is a guide only. We will be happy to send you free samples for testing. For apertures and bore holes without thread, please use dimensions B and C.

>> You also might be interested in the following products:  
GPN 305, GPN 315, GPN 615, GPN 630



Grip Plugs

### Your KAPSTO® quality benefits:



**Time-saving:**  
Practical tab for easy handling.



**Multifunctional:** Flexible ribs for accommodating large tolerances.



**Additional information:**  
Protection for bore holes and internal threads.

**Material:** PE-LD  
**Colour:** Red



**PÖPPELMANN**

Contact, product search, CAD data download and sample requests: [www.poeppelemann.com](http://www.poeppelemann.com)

**KAPSTO®**

# Grip Plugs

## GPN 315



### Your KAPSTO® quality benefits:



**Time-saving:**  
Practical tab for easy handling.

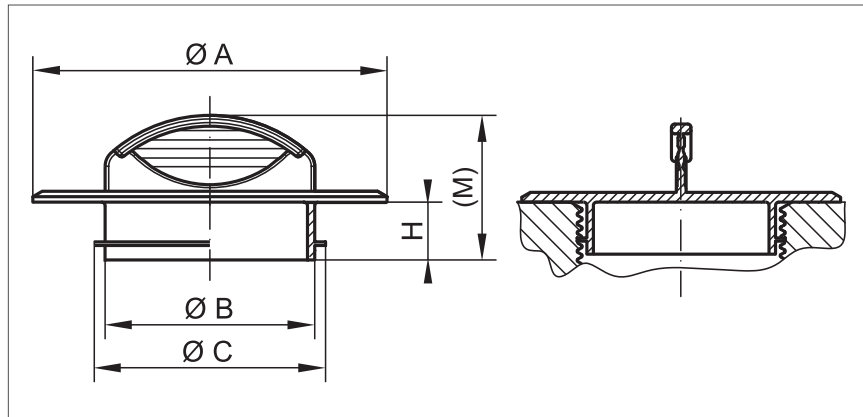


**Multifunctional:** Flexible ribs for accommodating large tolerances.



**Additional information:**  
Protection for bore holes and internal threads.

**Material:** PE-LLD  
**Colour:** Yellow



Dimensions					Order no.
A	B	C	H	(M)	
25.0	5.0	8.0	8.0	20.0	315 GS 8
27.0	7.0	10.0	8.0	20.0	315 GS 10
29.0	9.0	12.0	8.0	20.0	315 GS 12
31.0	11.0	14.0	8.0	20.0	315 GS 14
33.0	12.0	15.0	8.0	20.0	315 GS 15
33.0	13.0	16.0	8.0	20.0	315 GS 16
35.0	15.0	18.0	8.0	20.0	315 GS 18
39.0	19.0	22.0	8.0	20.0	315 GS 22
43.0	23.0	26.0	8.0	20.0	315 GS 26
47.0	27.0	30.0	8.0	20.0	315 GS 30
49.0	29.0	32.0	8.0	20.0	315 GS 32
51.0	31.0	34.0	8.0	20.0	315 GS 34
58.0	38.0	41.0	8.0	22.5	315 GS 41
64.0	44.0	47.0	8.0	22.5	315 GS 47
75.0	55.0	58.0	8.0	22.5	315 GS 58
99.0	79.0	82.0	8.0	22.5	315 GS 82
103.0	83.0	86.0	8.0	22.5	315 GS 86

Size in mm

Colour and material alternatives, additional sizes, bespoke designs and technical cleanliness on request. For more information about materials, colours, drawings and application of our items, please see page 114/115.

## Application Guide

Metric threads				Pipe thread	Order no.
Standard thread	Fine thread				
M 8	M 8 x 1			1/16	315 GS 8
M 10	M 10 x 1			1/8	315 GS 10
	M 12 x 1	M 12 x 1.25			315 GS 12
	M 14 x 1	M 14 x 1.5			315 GS 14
M 16	M 15 x 1	M 15 x 1.5			315 GS 15
	M 16 x 1	M 16 x 1.5		3/8	315 GS 16
	M 18 x 1	M 18 x 1.5			315 GS 18
M 24	M 22 x 1	M 22 x 1.5		5/8	315 GS 22
		M 26 x 1.5		3/4	315 GS 26
		M 30 x 1.5			315 GS 30
		M 32 x 1.5	M 33 x 2	1	315 GS 32
		M 34 x 1.5			315 GS 34
			M 42 x 2		315 GS 41
			M 48 x 2		315 GS 47
		M 58 x 1.5		2	315 GS 58
			M 85 x 4		315 GS 82
				3	315 GS 86

This application table is a guide only. We will be happy to send you free samples for testing. For apertures and bore holes without thread, please use dimensions B and C.

>> You also might be interested in the following products:  
GPN 305, GPN 310, GPN 330, GPN 615

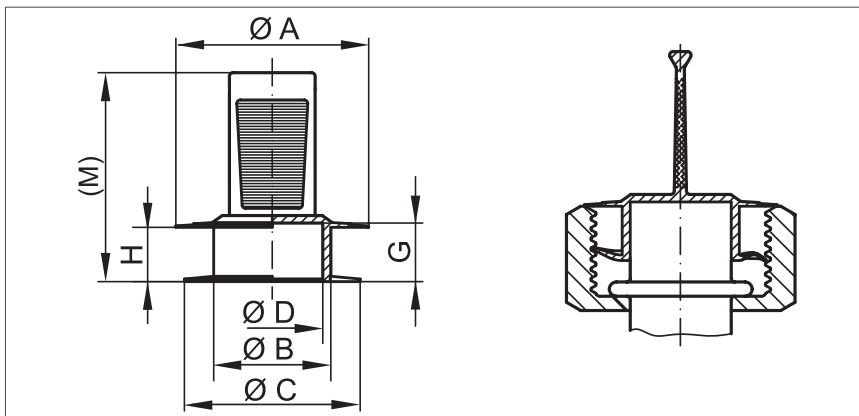


**PÖPPELMANN**

We will be happy to advise you: +49 4442 982-9166

**KAPSTO®**

# Grip Plugs GPN 330



Dimensions							Order no.
A	B	C	D	G	H	(M)	
16.0	6.4	10.5	4.4	5.5	4.1	26.5	330 L 10
14.3	6.4	12.3	4.4	5.5	4.1	26.5	330 L 12
16.3	8.4	14.3	6.4	5.5	4.1	26.5	330 L 14
18.3	10.4	16.3	8.4	5.5	4.1	26.5	330 L 16
21.0	10.4	18.5	8.4	5.5	4.1	26.5	330 L 18
21.0	13.6	19.7	11.6	8.3	6.1	29.3	330 L 19
22.5	13.6	20.7	11.6	8.3	6.1	29.3	330 L 20
25.0	16.4	22.9	14.4	8.3	7.6	29.3	330 L 22
27.0	16.4	24.9	14.4	8.3	7.6	29.3	330 L 24
30.0	19.6	27.9	17.6	8.3	8.1	29.3	330 L 27
31.0	19.6	28.8	17.6	8.3	7.9	29.3	330 L 28



Size in mm

Colour and material alternatives, additional sizes, bespoke designs and technical cleanliness on request. For more information about materials, colours, drawings and application of our items, please see page 114/115.

## Application Guide

Metric threads				Pipe thread	Order no.
Standard thread	Fine thread				
M 12	M 10 x 1	M 12 x 1.5		1/8	330 L 12
M 14	M 12 x 1	M 14 x 1.5		1/4	330 L 12
M 14	M 14 x 1	M 14 x 1.5		1/4	330 L 14
M 16	M 16 x 1	M 16 x 1.5		3/8	330 L 16
M 18	M 18 x 1	M 18 x 1.5	M 17 x 2	3/8	330 L 16
		M 19 x 1.5	M 18 x 2		330 L 18
			M 19 x 2		330 L 18
M 20	M 18 x 1	M 20 x 1.5	M 20 x 2	1/2	330 L 19
	M 20 x 1	M 20 x 1.5	M 20 x 2		330 L 19
	M 20 x 1	M 20 x 1.5	M 20 x 2	1/2	330 L 20
	M 22 x 1	M 22 x 1.5	M 22 x 2	5/8	330 L 22
M 24					330 L 22
	M 22 x 1	M 22 x 1.5	M 22 x 2	5/8	330 L 24
M 24	M 24 x 1	M 24 x 1.5	M 24 x 2		330 L 24
	M 25 x 1	M 25 x 1.5	M 25 x 2		330 L 24
	M 26 x 1	M 26 x 1.5	M 26 x 2	3/4	330 L 27
M 27	M 27 x 1	M 27 x 1.5	M 27 x 2		330 L 27
		M 28 x 1.5	M 28 x 2		330 L 27
	M 27 x 1	M 27 x 1.5	M 27 x 2	7/8	330 L 28
M 30	M 28 x 1	M 28 x 1.5	M 28 x 2		330 L 28
		M 29 x 1.5	M 30 x 2		330 L 28

This application table is a guide only. We will be happy to send you free samples for testing. For apertures and bore holes without thread, please use dimensions B and C.

>> You also might be interested in the following products:  
GPN 305, GPN 308, GPN 310, GPN 615

### Your KAPSTO® quality benefits:



**Time-saving:** With ergonomically designed removal tab for easy handling.



**Multifunctional:** Flexible shaft ribs for accommodating large tolerances.



**Additional information:** Suitable for bore holes and internal threads. Can also be used for special pipes with union nut. The ribs engage into the thread and position the union nut at the end of the conductor.

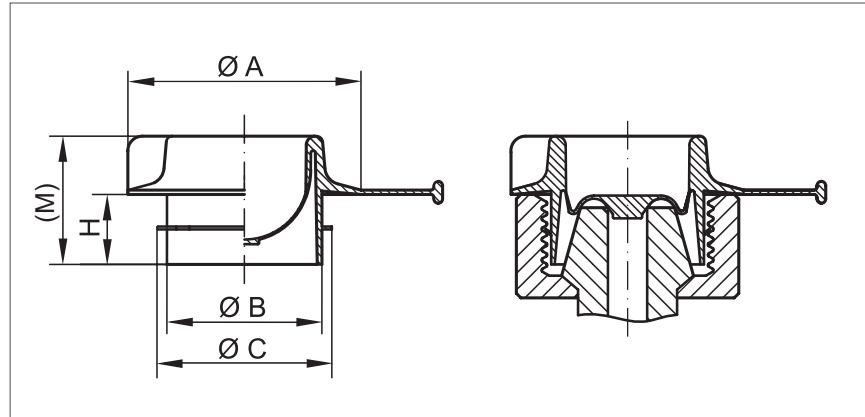
**Material:** PE-LD

**Colour:** Yellow



# Grip Closures

## GPN 335



Dimensions					Order no.
A	B	C	H	(M)	
14.0	10.1	12.0	7.5	17.5	335 M 12 x 1.5
17.0	12.1	14.0	7.5	17.5	335 M 14 x 1.5
19.0	14.1	16.0	7.5	17.5	335 M 16 x 1.5
22.0	15.8	18.0	8.7	18.7	335 M 18 x 1.5
24.0	17.8	20.0	8.7	18.7	335 M 20 x 1.5
27.0	19.9	22.0	8.7	18.7	335 M 22 x 1.5
30.0	21.8	24.0	10.7	20.2	335 M 24 x 1.5
32.0	22.5	27.5	8.5	18.5	335 M 26 x 1.5
40.0	26.6	30.0	10.0	20.0	335 M 30 x 2
45.0	32.6	36.0	12.0	24.5	335 M 36 x 2
55.0	38.5	41.5	12.0	24.5	335 M 42 x 2
55.0	41.5	45.0	12.0	24.5	335 M 45 x 2
65.0	48.5	51.5	12.0	26.0	335 M 52 x 2

Size in mm

### Your KAPSTO® quality benefits:



#### Standard protection:

For transport and storage of hose fittings in accordance with DIN ISO 12151.



**Time-saving:** With tab on the side for fast removal.



**Leak-proof:** A thin-walled cone prevents penetration and leaking of liquids within certain limits.



**Multifunctional:** Flexible ribs for accommodating large tolerances.

**Material:** PE-LD

**Colour:** Yellow

Colour and material alternatives, additional sizes, bespoke designs and technical cleanliness on request. For more information about materials, colours, drawings and application of our items, please see page 114/115.

## Application Guide

Metric threads				Pipe thread	Order no.
Standard thread	Fine thread				
M 12	M 12 x 1	M 12 x 1.5			335 M 12 x 1.5
	M 14 x 1	M 14 x 1.5			335 M 14 x 1.5
	M 16 x 1	M 16 x 1.5		3/8	335 M 16 x 1.5
	M 18 x 1	M 18 x 1.5			335 M 18 x 1.5
	M 20 x 1	M 20 x 1.5	M 21 x 2	1/2	335 M 20 x 1.5
	M 22 x 1	M 22 x 1.5			335 M 22 x 1.5
	M 24 x 1	M 24 x 1.5			335 M 24 x 1.5
		M 25 x 1.5		3/4	335 M 26 x 1.5
		M 26 x 1.5			335 M 26 x 1.5
		M 27 x 1.5	M 27 x 2		335 M 26 x 1.5
		M 30 x 1.5	M 30 x 2	7/8	335 M 30 x 2
		M 36 x 1.5	M 36 x 2	1 1/8	335 M 36 x 2
M 39					335 M 36 x 2
		M 42 x 1.5	M 42 x 2		335 M 42 x 2
M 45					335 M 42 x 2
		M 45 x 1.5	M 45 x 2		335 M 45 x 2
		M 52 x 1.5	M 52 x 2		335 M 52 x 2
M 56					335 M 52 x 2

This application table is a guide only. We will be happy to send you free samples for testing. For apertures and bore holes without thread, please use dimensions B and C.

>> You also might be interested in the following products: GPN 310, GPN 700, GPN 1050

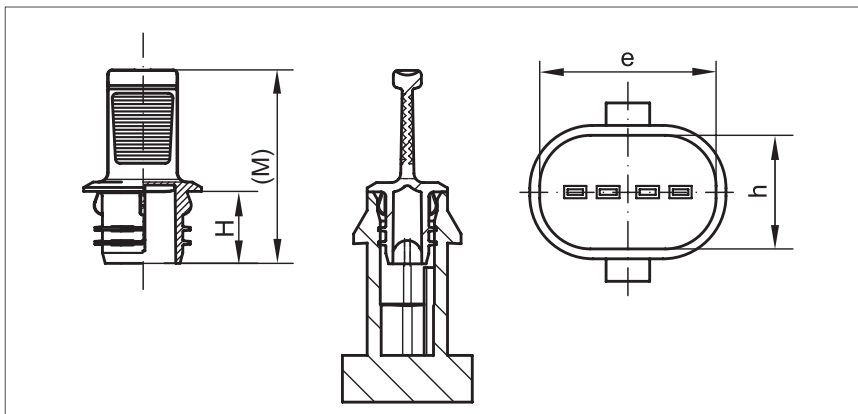


**PÖPPELMANN**

We will be happy to advise you: +49 4442 982-9166

**KAPSTO®**

# Contact Protection GPN 360 Type A



Suitable for internal contour		Dimensions		Order no.
e	h	H	(M)	
9.80	5.80	7.7	20.7	360 KS 1006
13.80	5.80	7.7	20.7	360 KS 1406
19.50	7.15	7.7	20.7	360 KS 2008
20.20	9.87	7.7	20.7	360 KS 2009
23.15	7.15	7.7	20.7	360 KS 2408
27.15	7.15	7.7	20.7	360 KS 2808
31.20	12.10	7.5	20.5	360 KS 3112
35.15	7.15	7.7	20.7	360 KS 3608
36.20	14.50	7.7	20.7	360 KS 3715
39.10	11.80	8.0	21.0	360 KS 3912
41.90	17.90	7.7	20.7	360 KS 4117
42.80	17.70	7.7	20.7	360 KS 4217

Size in mm

Colour and material alternatives, additional sizes, bespoke designs and technical cleanliness on request. For more information about materials, colours, drawings and application of our items, please see page 114/115.



Grip Plugs

## Application Guide

Suitable for contact connectors												Order no.
MLK 1.2 AK Pole number						SLK 2.8 VDA Pole number			MAK 12 Pole number			
2	3	4	5	6	8	12	16	2	3	4	2	
●												360 KS 1006
	●											360 KS 1406
		●										360 KS 2008
			●									360 KS 2408
					●							360 KS 2808
						●						360 KS 3112
							●					360 KS 3608
											●	360 KS 3715
								●				360 KS 3912

The contact Protection GPN 360 has been developed for special compact connector sockets listed in the application table. The contact protection also matches other connector sockets.

>> You also might be interested in the following products: GPN 211, GPN 365

### Your KAPSTO® quality benefits:



**Standard protection:** Protection for compact connector sockets, e.g MLK, SLK and MAK.



**Time-saving:** Practical tab for easy removal.



**Leak-proof:** Prevents penetration of liquids within certain limits.



**Technical cleanliness:** Production in accordance with VDA Band 19 and ISO 16232 in our specially equipped cleanroom on request. For more information, please see page 116/117.

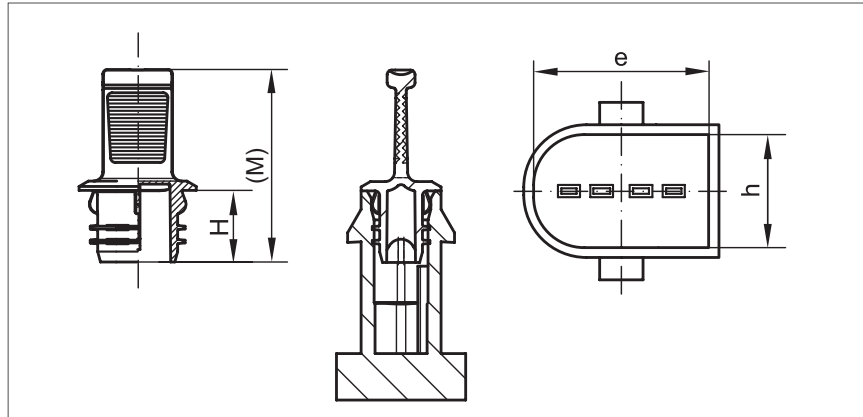


**Additional information:** Also suitable for oval apertures. Circumferential ribs for perfect design fit.

**Material:** PE-LLD  
**Colour:** Yellow



# Contact Protection GPN 360 Type B



Suitable for internal contour		Dimensions		Order no.
e	h	H	(M)	
17.48	11.48	7.7	20.7	360 KS 1812
22.48	11.48	7.7	20.7	360 KS 2312
27.48	11.48	7.7	20.7	360 KS 2812

Size in mm

Colour and material alternatives, additional sizes, bespoke designs and technical cleanliness on request. For more information about materials, colours, drawings and application of our items, please see page 114/115.

## Your KAPSTO® quality benefits:



### Standard protection:

Protection for compact connector sockets, e.g MLK, SLK and MAK.



### Time-saving:

Practical tab for easy removal.



### Leak-proof:

Prevents penetration of liquids within certain limits.



### Technical cleanliness:

Production in accordance with VDA Band 19 and ISO 16232 in our specially equipped cleanroom on request. For more information, please see page 116/117.



**Additional information:** Also suitable for oval apertures. Circumferential ribs for perfect design fit.

**Material:** PE-LLD

**Colour:** Yellow

## Application Guide

Suitable for contact connectors										Order no.
MLK 1.2 AK Pole number					SLK 2.8 VDA Pole number			MAK 12 Pole number		
2	3	4	5	6	8	2	3	4	2	
						●				360 KS 1812
							●			360 KS 2312
								●		360 KS 2812

The contact Protection GPN 360 has been developed for special compact connector sockets listed in the application table. The contact protection also matches other connector sockets.

>> You also might be interested in the following products: GPN 211, GPN 365

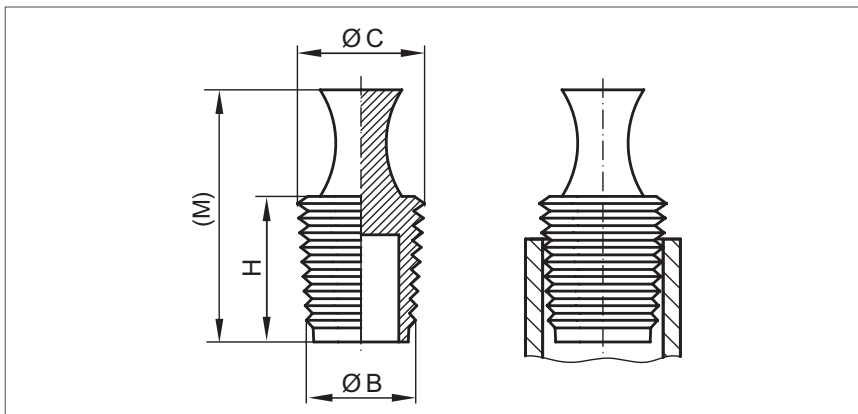


**PÖPPELMANN**

We will be happy to advise you: +49 4442 982-9166

**KAPSTO®**

# Grip Plugs GPN 607



Dimensions				Order no.
B	C	H	(M)	
2.0	4.0	19.5	35.2	607 / 0204
4.0	6.0	25.4	43.2	607 / 0406
6.0	8.0	25.4	43.1	607 / 0608
8.0	10.5	25.4	43.0	607 / 0810
9.8	11.5	25.4	43.5	607 / 1012
11.9	14.5	25.4	42.5	607 / 1214
14.0	16.0	25.4	42.5	607 / 1416
16.0	18.0	25.4	42.5	607 / 1618
18.0	20.0	26.0	43.0	607 / 1820
20.0	22.5	25.4	43.0	607 / 2022
22.5	24.0	25.4	43.0	607 / 2224
24.0	26.0	25.4	43.0	607 / 2426
25.7	28.0	25.4	43.0	607 / 2628
28.6	32.0	25.4	43.8	607 / 2832

Size in mm

For more information about application of our items, please see page 114/115.

## Application Guide

Metric threads				Pipe thread	Unified Thread pursuant to ASME / ANSI B 1.1 / UN / UNC / UNF / UNEF	Order no.		
Standard thread	Fine thread							
M 4						607 / 0204		
M 6		M 6 x 0.75				607 / 0406		
M 8		M 8 x 1			5/16	607 / 0608		
M 10		M 10 x 1		1/8	3/8	607 / 0810		
M 12		M 12 x 1	M 12 x 1.5		7/16	607 / 1012		
M 14		M 14 x 1.5		1/4	1/2	607 / 1214		
M 16		M 14 x 1	M 16 x 1	M 16 x 1.5	3/8	9/16	5/8	607 / 1416
M 18		M 18 x 1	M 18 x 1.5			3/4		607 / 1618
M 20		M 20 x 1.5			1/2			607 / 1820
M 22		M 22 x 1.5			1/2	5/8	7/8	607 / 2022
M 24		M 24 x 1.5	M 24 x 2			1		607 / 2224
M 26		M 26 x 1.5			3/4	1	1 1/16	607 / 2426
M 28	M 30	M 28 x 1.5	M 28 x 2					607 / 2628
M 32		M 30 x 1.5	M 32 x 1.5	M 32 x 2	7/8			607 / 2832

This application table is a guide only. We will be happy to send you free samples for testing. For apertures and bore holes without threads, please use dimensions B and C. Flash and foreign particles are permitted for these items. We advise to perform functional test before series launch.



Grip Plugs

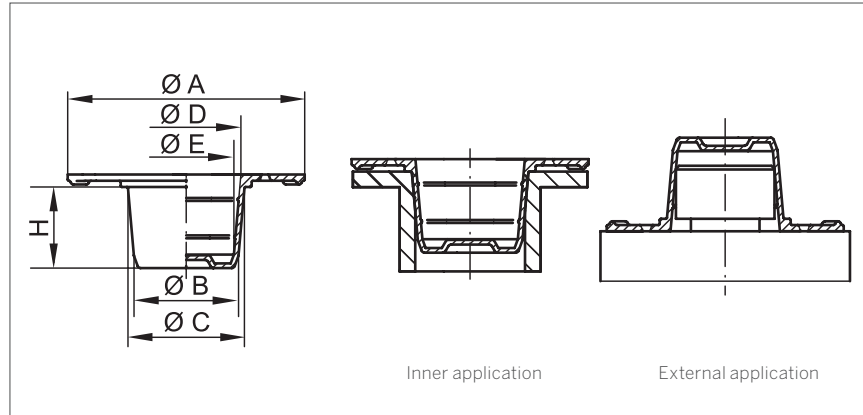
### Your KAPSTO® quality benefits:

- Time-saving:** Practical tab for easy removal.
- Multifunctional:** The tapered design is ideal for accommodating large tolerances.
- Temperature resistant:** Extremely heat-resistant to 250 °C. More details: page 115, "Physical properties".
- Leak-proof:** Prevents penetration of liquids within certain limits.
- Additional information:** Suitable for bore holes and internal threads. Particularly suitable for painting.

**Material:** SI  
**Colour:** Natural

# Universal Protection with Ring Lug

## GPN 615



Dimensions							Order no.
A	Inner application			External application			
	B	C	H	D	E		
29.0	7.6	9.1	10.0	7.7	6.2	615 UL 88	
29.0	7.8	9.5	10.0	8.0	6.3	615 UL 91	
29.0	9.5	11.1	10.0	9.6	7.9	615 UL 107	
29.0	10.2	11.9	10.0	10.3	8.6	615 UL 114	
29.0	11.5	13.1	10.0	11.6	9.9	615 UL 127	
32.0	13.1	15.0	12.0	13.6	11.6	615 UL 147	
34.0	13.5	15.2	12.0	14.1	12.1	615 UL 152	
34.0	14.9	17.0	13.0	15.6	13.4	615 UL 167	
38.0	17.0	19.2	13.0	17.5	15.3	615 UL 187	
40.0	18.6	21.1	15.0	19.5	16.9	615 UL 207	
46.0	21.5	24.7	18.0	22.9	19.8	615 UL 241	
56.0	28.1	30.6	19.0	29.7	26.4	615 UL 309	
80.0	42.2	45.4	19.0	43.5	40.2	615 UL 448	
95.0	58.4	62.8	25.0	60.8	56.4	615 UL 628	

Size in mm

### Your KAPSTO® quality benefits:



#### Time-saving:

Easy removal due to ring lug.



**Multifunctional:** The tapered design of the plug accommodates larger tolerances. Can also be used as a cap.



#### Technical cleanliness:

Production in accordance with VDA Band 19 and ISO 16232 in our specially equipped cleanroom on request. For more information, please see page 116/117.



#### Additional information:

Protects threads, pipes, hoses and bores. No loss of construction space due to flat-type ring lug.

**Material:** PE-LD

**Colour:** Yellow

Colour and material alternatives, additional sizes, bespoke designs and technical cleanliness on request. For more information about materials, colours, drawings and application of our items, please see page 114/115.

## Application Guide

Suitable for use as plug (Inner application)				
Metric threads			Pipe thread	Order no.
Fine thread				
M 10 x 1	M 10 x 1.5		G 1/8	615 UL 88
	M 12 x 1.5			615 UL 91
			G 1/4	615 UL 114
	M 14 x 1.5			615 UL 127
	M 16 x 1.5			615 UL 147
			G 3/8	615 UL 152
	M 18 x 1.5			615 UL 167
	M 20 x 1.5		G 1/2	615 UL 187
	M 22 x 1.5		G 5/8	615 UL 207
	M 26 x 1.5		G 3/4	615 UL 241
	M 32 x 1.5	M 32 x 2	G 1	615 UL 309
			G 1 1/2	615 UL 448

This application table is a guide only. We will be happy to send you free samples for testing. For apertures and bore holes without thread, please use dimensions B and C.

>> You also might be interested in the following products:  
GPN 305, GPN 308, GPN 610, GPN 620

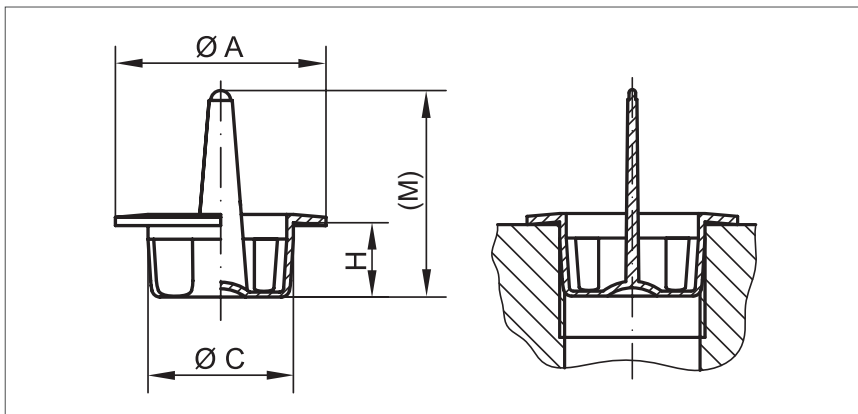


**PÖPPELMANN**

We will be happy to advise you: +49 4442 982-9166

**KAPSTO®**

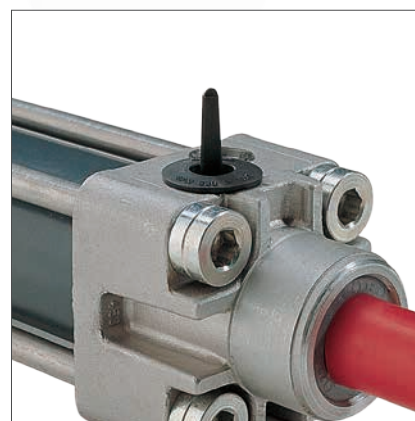
# Grip Plugs GPN 630



Dimensions				Order no.
A	C	H	(M)	
15.5	7.5	8.0	22.8	630 M 8 x 1
17.5	9.5	8.0	22.8	630 M 10 x 1
19.5	11.5	9.0	23.5	630 M 12 x 1
21.5	13.5	9.0	23.8	630 M 14 x 1.5
23.5	15.5	9.0	23.8	630 M 16 x 1.5
25.5	17.6	9.0	25.0	630 M 18 x 1.5
27.5	19.5	9.0	25.0	630 M 20 x 1.5
29.5	21.5	9.0	25.0	630 M 22 x 1.5
28.5	23.5	9.0	25.0	630 M 24 x 1.5

Size in mm

Colour and material alternatives, additional sizes, bespoke designs and technical cleanliness on request. For more information about materials, colours, drawings and application of our items, please see page 114/115.



Grip Plugs

## Application Guide

Standard thread	Metric threads		Unified Thread pursuant to ASME / ANSI B 1.1 / UN / UNC / UNF / UNEF	Order no.
	Fine thread			
M 8	M 8 x 1		5/16	630 M 8 x 1
	M 10 x 1		3/8	630 M 10 x 1
	M 12 x 1	M 12 x 1.25	1/2	630 M 12 x 1
	M 13 x 1		9/16	630 M 14 x 1.5
		M 16 x 1.5	5/8	630 M 16 x 1.5
		M 18 x 1.5	11/16	630 M 18 x 1.5
		M 20 x 1		630 M 20 x 1.5
		M 22 x 1	7/8	630 M 22 x 1.5
	M 24 x 1.5	M 25 x 2	15/16	630 M 24 x 1.5

This application table is a guide only. We will be happy to send you free samples for testing. For apertures and bore holes without thread, please use dimensions B and C.

>> You also might be interested in the following products: GPN 305, GPN 615

### Your KAPSTO® quality benefits:



**Time-saving:**  
With removal grip for fast removal.



**Temperature resistant:**  
Heat-resistant to 150 °C.  
More details: page 115, "Physical properties".



**Additional information:** Low-abrasion disassembly thanks to roll-up of GPN 630.

**Material:** TPE, free from plasticisers  
**Colour:** Black



**PÖPPELMANN**

Contact, product search, CAD data download and sample requests: [www.poeppelemann.com](http://www.poeppelemann.com)

**KAPSTO®**



Do you know, why your orders and free samples are delivered so fast?

One answer is:

**Christina.**



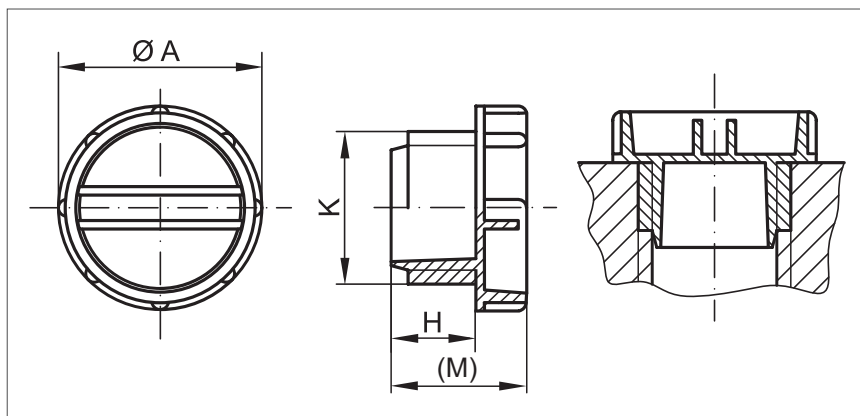
For all answers, please see page 122/123.

**We are doing it.**

# Screw Plugs

## GPN 700

with metric threads



Suitable for thread K	Dimensions			Order no.
	A	H	(M)	
M 6	12.0	7.0	12.0	700 M 6
M 6 x 0.75	12.0	7.0	12.0	700 M 6 x 0.75
M 8	12.0	7.0	12.0	700 M 8
M 10	14.0	9.0	14.0	700 M 10
M 12	16.0	9.0	14.0	700 M 12
M 14	19.0	9.0	14.0	700 M 14
M 16	21.0	10.0	16.0	700 M 16
M 18	24.0	10.0	16.0	700 M 18
M 20	26.0	12.0	18.0	700 M 20
M 22	28.0	12.0	18.0	700 M 22
M 24	31.5	10.0	18.0	700 M 24
M 30	35.4	17.7	26.0	700 M 30
M 36	43.6	18.0	28.0	700 M 36
M 42	51.7	17.7	27.8	700 M 42
M 8 x 1	12.0	7.0	12.0	700 M 8 x 1
M 10 x 1	14.0	9.0	14.0	700 M 10 x 1
M 12 x 1	16.0	9.0	14.0	700 M 12 x 1
M 14 x 1	19.0	9.0	14.0	700 M 14 x 1
M 18 x 1	24.0	10.0	16.0	700 M 18 x 1
M 12 x 1.5	16.0	9.0	14.0	700 M 12 x 1.5
M 14 x 1.5	19.0	9.0	14.0	700 M 14 x 1.5
M 16 x 1.5	21.0	10.0	16.0	700 M 16 x 1.5
M 18 x 1.5	24.0	10.0	16.0	700 M 18 x 1.5
M 20 x 1.5	26.0	12.0	18.0	700 M 20 x 1.5
M 22 x 1.5	28.0	12.0	18.0	700 M 22 x 1.5
M 24 x 1.5	31.5	10.0	18.0	700 M 24 x 1.5
M 26 x 1.5	31.5	12.0	20.0	700 M 26 x 1.5
M 30 x 1.5	36.0	12.0	20.0	700 M 30 x 1.5*
M 36 x 1.5	44.0	13.0	23.0	700 M 36 x 1.5*
M 42 x 1.5	51.0	15.0	25.0	700 M 42 x 1.5*
M 45 x 1.5	55.0	15.0	25.0	700 M 45 x 1.5*
M 52 x 1.5	60.0	15.0	25.0	700 M 52 x 1.5*
M 24 x 2	31.5	10.0	18.0	700 M 24 x 2
M 27 x 2	32.0	12.0	20.0	700 M 27 x 2*
M 30 x 2	36.0	12.0	20.0	700 M 30 x 2*
M 33 x 2	39.0	13.0	23.0	700 M 33 x 2*
M 36 x 2	44.0	13.0	23.0	700 M 36 x 2*
M 42 x 2	52.0	15.0	25.0	700 M 42 x 2*
M 45 x 2	55.0	15.0	25.0	700 M 45 x 2*
M 52 x 2	60.0	15.0	25.0	700 M 52 x 2*

Size in mm

Colour and material alternatives, additional sizes, bespoke designs and technical cleanliness on request. For more information about materials, colours, drawings and application of our items, please see page 114/115.

\*Head without slot.

>> You also might be interested in the following products: **GPN 310**, **GPN 737**



### Additional information:

Suitable for a wide range of metric and imperial internal threads, as well as pipe threads in accordance with DIN EN ISO 228-1. Easy-to-grip head for manual assembly. The small to medium sizes feature a slot so that screwdrivers can be used for installation.

**Material:** PE-HD

**Colour:** Yellow



**PÖPPELMANN**

Contact, product search, CAD data download and sample requests: [www.poeppelemann.com](http://www.poeppelemann.com)

**KAPSTO®**



## Screw Plugs

**GPN 700**

with imperial threads

**Material:** PE-HD**Colour:** Yellow

Suitable for thread K	Dimensions			Order no.
	A	H	(M)	
1/4 - 18 NPTF	19.0	9.0	15.0	700 1/4 - 18 NPTF
1/4 - 28 UNF	12.0	7.0	12.0	700 1/4 - 28 UNF*
3/8 - 24 UNF	14.0	9.0	14.0	700 3/8 - 24 UNF
7/16 - 20 UNF	16.0	9.0	14.0	700 7/16 - 20 UNF
1/2 - 20 UNF	16.0	9.0	14.0	700 1/2 - 20 UNF
9/16 - 18 UNF	19.0	9.0	14.0	700 9/16 - 18 UNF
5/8 - 18 UNF	21.0	10.0	16.0	700 5/8 - 18 UNF
3/4 - 16 UNF	26.0	12.0	18.0	700 3/4 - 16 UNF
7/8 - 14 UNF	28.0	12.0	18.0	700 7/8 - 14 UNF
1 - 14 UNS	32.0	10.0	18.0	700 1 - 14 UNS*
1 1/16 - 12 UN	32.0	12.0	20.0	700 1 1/16 - 12 UN*
1 5/16 - 12 UN	42.0	13.0	23.0	700 1 5/16 - 12 UN*
1 5/8 - 12 UN	52.0	15.0	25.0	700 1 5/8 - 12 UN*
1 7/8 - 12 UN	57.0	15.0	25.0	700 1 7/8 - 12 UN*

Size in mm

Colour and material alternatives, additional sizes, bespoke designs and technical cleanliness on request. For more information about materials, colours, drawings and application of our items, please see page 114/115.

\*Head without slot.

**GPN 700**

with pipe threads (DIN EN ISO 228-1)

**Material:** PE-HD**Colour:** Yellow

Suitable for thread K	Dimensions			Order no.
	A	H	(M)	
G 1/8	14.0	9.0	14.0	700 G 1/8
G 1/4	19.0	9.0	14.0	700 G 1/4
G 3/8	21.0	10.0	16.0	700 G 3/8
G 1/2	26.0	12.0	18.0	700 G 1/2
G 5/8	28.0	12.0	18.0	700 G 5/8
G 3/4	31.5	12.0	20.0	700 G 3/4

Size in mm

Colour and material alternatives, additional sizes, bespoke designs and technical cleanliness on request. For more information about materials, colours, drawings and application of our items, please see page 114/115.

## Screw Plugs

**GPN 703**for metric threads,  
only 2 ½ thread pitches**Your KAPSTO® quality benefits:****Time-saving:**

Screw-stopper with only 2 ½ threads for faster installation.

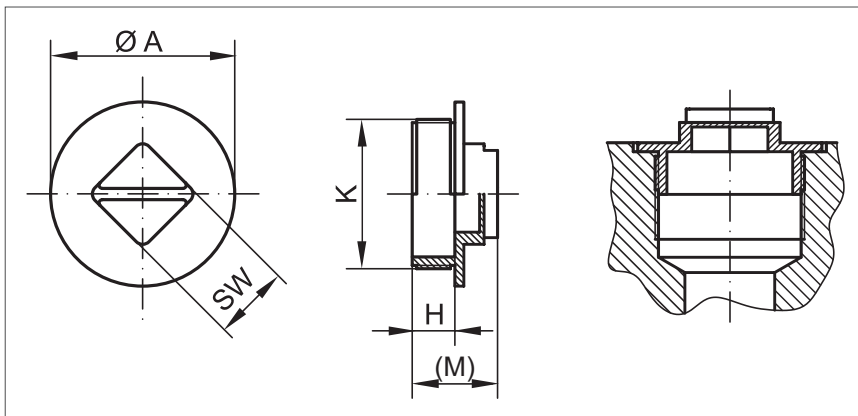
Suitable for thread K	Dimensions			Order no.
	A	H	(M)	
M 10 x 1	14.5	4.0	9.0	703 M 10 x 1
M 12 x 1.5	17.5	6.0	11.0	703 M 12 x 1.5
M 14 x 1.5	19.0	6.0	11.0	703 M 14 x 1.5
M 16 x 1.5	22.5	6.5	12.5	703 M 16 x 1.5
M 18 x 1.5	24.0	7.0	16.0	703 M 18 x 1.5
M 20 x 1.5	26.0	7.0	13.0	703 M 20 x 1.5
M 22 x 1.5	27.5	7.0	13.0	703 M 22 x 1.5
M 24 x 1.5	29.5	7.0	18.0	703 M 24 x 1.5
M 26 x 1.5	32.0	14.5	22.5	703 M 26 x 1.5
M 28 x 1.5	34.0	8.0	19.0	703 M 28 x 1.5

Size in mm

Colour and material alternatives, additional sizes, bespoke designs and technical cleanliness on request. For more information about materials, colours, drawings and application of our items, please see page 114/115.

>> You also might be interested in the following products: **GPN 700, GPN 737****PÖPPELMANN**We will be happy to advise you: **+49 4442 982-9166****KAPSTO®**

# Screw Plugs GPN 710



Suitable for thread K	Dimensions				Order no.
	A	H	(M)	Spanner width (width across flat)	
G 1/8	13.0	7.0	13.0	9	710 G 1/8
G 1/4 *	16.0	7.0	13.0	9	710 G 1/4 *
G 3/8	21.0	7.0	15.0	12	710 G 3/8
G 1/2	27.0	9.0	19.0	13	710 G 1/2
G 3/4	34.0	7.0	17.0	14	710 G 3/4
G 1	41.0	9.5	19.0	17	710 G 1
G 1 1/4	52.0	9.5	21.0	19	710 G 1 1/4
G 1 1/2	60.0	12.0	25.0	24	710 G 1 1/2
G 2	72.0	12.0	25.0	27	710 G 2

Size in mm

Colour and material alternatives, additional sizes, bespoke designs and technical cleanliness on request. For more information about materials, colours, drawings and application of our items, please see page 114/115.

\*Head without slot.

>> You also might be interested in the following products: GPN 700, GPN 738

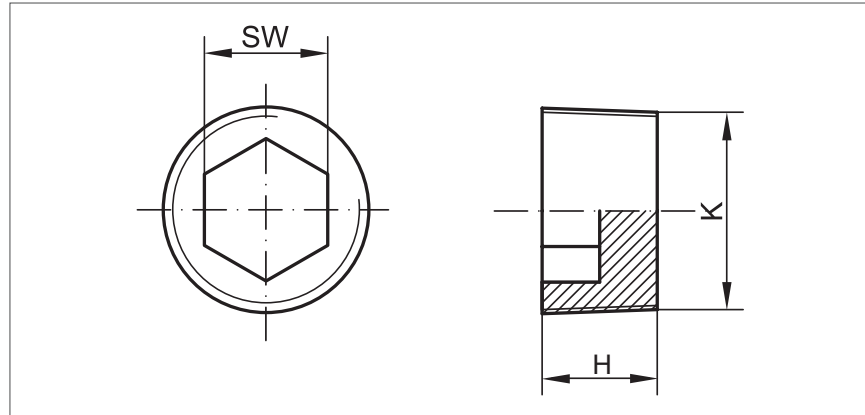


**Additional information:** With collar and slotted square head, for installation using a spanner or screwdriver.

**Material:** PP  
**Colour:** Black

# Screw Plugs

## GPN 720 Type A



Suitable for thread K	Dimensions			Order no.
	H	Spanner width inch	Spanner width metric	
1/8 - 27 NPT	8.5		5	720 / 1766
1/4 - 18 NPT	12.5	1/4		720 / 1602
1/4 - 18 NPT	12.5		6	720 / 1767
3/8 - 18 NPT	13.0	5/16	8	720 / 1601
1/2 - 14 NPT	16.5	3/8		720 / 1600
1/2 - 14 NPT	16.5		10	720 / 1768
3/4 - 14 NPT	17.0	9/16		720 / 1599
3/4 - 14 NPT	17.0		14	720 / 1769
1 - 11 1/2 NPT	21.2	5/8		720 / 1598
1 - 11 1/2 NPT	21.2		17	720 / 1770
1 1/4 - 11 1/2 NPT	22.0	3/4	19	720 / 1597
1 1/2 - 11 1/2 NPT	22.5	53/64		720 / 1596
1 1/2 - 11 1/2 NPT	22.5		22	720 / 1771
M 16	16.0		8	720 / 0052
M 30	22.5		19	720 / 8016

### Your KAPSTO® quality benefits:



**Robust:**  
Thick-walled type  
for higher loads.



**Additional information:**  
Immersible screw plug with  
hexagonal socket.

**Material:** PE-LD

**Colour:** Yellow

Size in mm

Colour and material alternatives, additional sizes, bespoke designs and technical cleanliness on request. For more information about materials, colours, drawings and application of our items, please see page 114/115.

>> You also might be interested in the following products: GPN 300 V, GPN 310, GPN 600



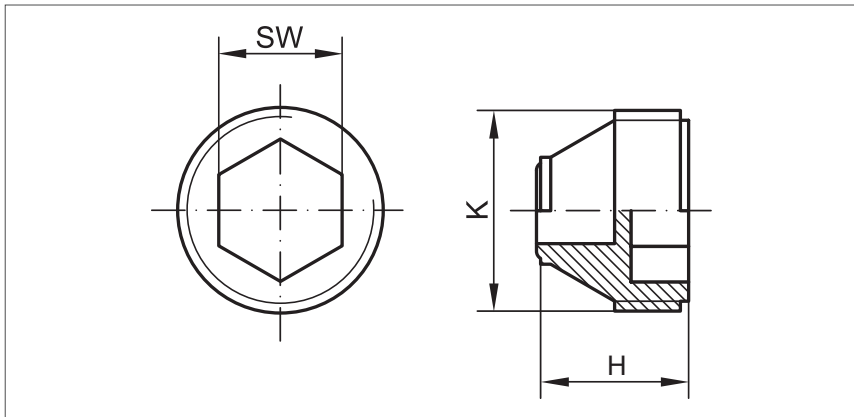
**PÖPPELMANN**

We will be happy to advise you: +49 4442 982-9166

**KAPSTO®**

# Screw Plugs

## GPN 720 Type B



Suitable for thread K	Dimensions		Order no.
	H	Spanner width metric	
M 10 x 1	11.2	5	720 / 9463
M 16 x 1.5	14.0	8	720 / 0232
M 18 x 1.5	13.3	10	720 / 1763
M 20 x 1.5	17.4	13	720 / 1668

Size in mm

Colour and material alternatives, additional sizes, bespoke designs and technical cleanliness on request. For more information about materials, colours, drawings and application of our items, please see page 114/115.

>> You also might be interested in the following products:  
GPN 300 V, GPN 310, GPN 600, GPN 700



### Your KAPSTO® quality benefits:



**Leak-proof:** Provides limited sealing action against an ingress or outflow of fluids.



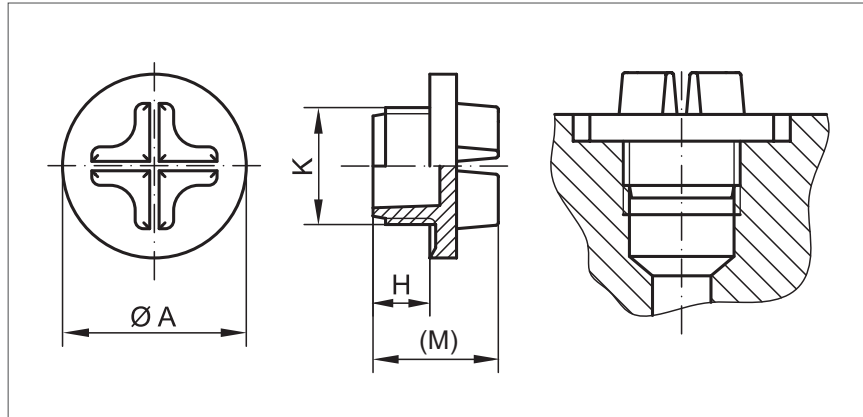
**Additional information:** Immersible screw plug with hexagonal socket.

**Material:** PE-LD  
**Colour:** Yellow

# Sealing Screw Plugs

## GPN 730

for metric threads (DIN 13)



**Material:** PE-HD  
**Colour:** Black

Suitable for thread K	Dimensions			Order no.
	A	H	(M)	
M 10 x 1	18.0	6.8	15.0	730 M 10 x 1
M 12 x 1.5	20.0	6.8	15.0	730 M 12 x 1.5
M 14 x 1.5	22.0	6.8	15.0	730 M 14 x 1.5
M 16 x 1.5	22.0	6.8	15.0	730 M 16 x 1.5
M 18 x 1.5	25.7	8.0	16.5	730 M 18 x 1.5
M 22 x 1.5	29.3	10.0	21.5	730 M 22 x 1.5
M 26 x 1.5	34.8	8.0	19.5	730 M 26 x 1.5
M 27 x 2	34.8	8.0	19.5	730 M 27 x 2
M 33 x 2	39.5	6.0	17.3	730 M 33 x 2

Size in mm

Colour and material alternatives, additional sizes, bespoke designs and technical cleanliness on request. For more information about materials, colours, drawings and application of our items, please see page 114/115.

## GPN 730

with pipe threads (DIN EN ISO 228-1)

Your KAPSTO® quality benefits:



**Leak-proof:** Sealing lip (no mould-parting feature) prevents the penetration or leaking of liquids, depending on the application.



**Robust:** Imperial screw-plugs are made of robust PA 6.6 for increased demands.



**Additional information:** Installation with screwdriver, or machine with special spanner.

**Material:** PA 6.6  
**Colour:** Black

Suitable for thread K	Dimensions			Order no.
	A	H	(M)	
G 1/4	16.5	8.0	16.0	730 G 1/4
G 3/8	20.0	10.0	19.0	730 G 3/8
G 1/2	25.0	13.0	23.8	730 G 1/2
G 3/4	31.0	19.0	29.8	730 G 3/4

Size in mm

Colour and material alternatives, additional sizes, bespoke designs and technical cleanliness on request. For more information about materials, colours, drawings and application of our items, please see page 114/115.

>> You also might be interested in the following products: GPN 700, GPN 738



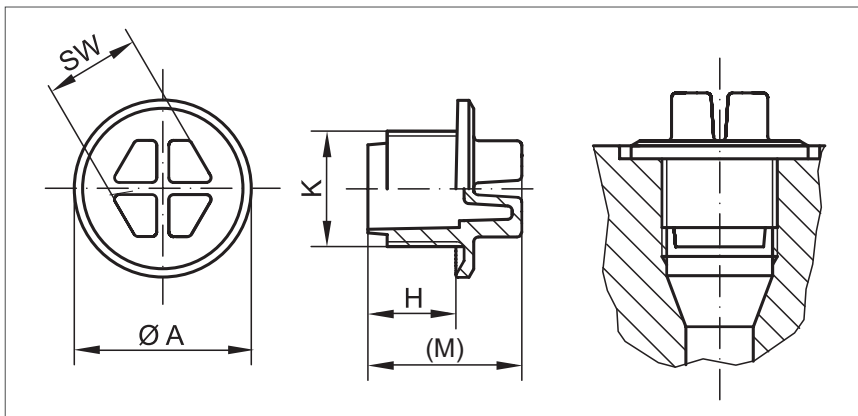
**PÖPPELMANN**

We will be happy to advise you: +49 4442 982-9166

**KAPSTO®**

# Sealing Screw Plugs

## GPN 735



Suitable for thread K	Dimensions				Order no.
	A	H	(M)	Spanner width (width across flat)	
M 8 x 1	12.2	8.0	15.0	7	735 M 8 x 1
M 10 x 1	14.2	8.0	15.0	7	735 M 10 x 1
M 12 x 1.5	17.2	11.0	18.0	10	735 M 12 x 1.5
M 14 x 1.5	19.2	11.0	19.0	10	735 M 14 x 1.5
M 16 x 1.5	22.0	11.0	21.0	13	735 M 16 x 1.5
M 18 x 1.5	24.0	11.0	21.0	13	735 M 18 x 1.5
M 20 x 1.5	26.0	11.0	21.0	15	735 M 20 x 1.5
M 22 x 1.5	27.2	11.0	21.0	15	735 M 22 x 1.5
M 24 x 1.5	31.5	12.0	22.0	15	735 M 24 x 1.5
M 26 x 1.5	32.0	13.5	23.5	19	735 M 26 x 1.5
M 27 x 2	32.3	11.0	21.0	19	735 M 27 x 2
M 33 x 2	40.4	13.5	23.5	24	735 M 33 x 2
M 42 x 2	50.0	13.5	24.5	24	735 M 42 x 2
M 48 x 2	55.4	13.5	24.5	30	735 M 48 x 2
M 60 x 2	68.5	13.5	24.5	30	735 M 60 x 2
G 1/4	19.2	7.5	15.0	10	735 G 1/4
G 3/8	22.2	7.5	17.5	13	735 G 3/8
G 1/2	27.2	9.5	19.5	15	735 G 1/2
G 3/4	32.3	9.5	19.5	19	735 G 3/4
G 1	40.0	11.5	21.5	24	735 G 1
G 1 1/4	50.4	11.5	22.5	24	735 G 1 1/4
G 1 1/2	55.4	11.5	22.5	30	735 G 1 1/2
9/16 - 18 UNF	17.8	11.0	18.0	10	735 9/16 - 18 UNF

Size in mm

Colour and material alternatives, additional sizes, bespoke designs and technical cleanliness on request. For more information about materials, colours, drawings and application of our items, please see page 114/115.

>> You also might be interested in the following products: GPN 551, GPN 700, GPN 737



Your KAPSTO® quality benefits:



**Standard protection:** For closing internal threads in accordance with DIN EN 3852-1, DIN ISO 6149-1.



**Leak-proof:** The circumferential sealing lip (no mould-parting feature) prevents the penetration or leaking of liquids depending on the application.



**Robust:** Made from premium, impact-resistant polyamide.



**Additional information:** Installation either with screw driver or spanner. Particularly suitable for processes like cleaning, testing, painting or for transport.

**Material:** PA 6  
**Colour:** Yellow



**PÖPPELMANN**

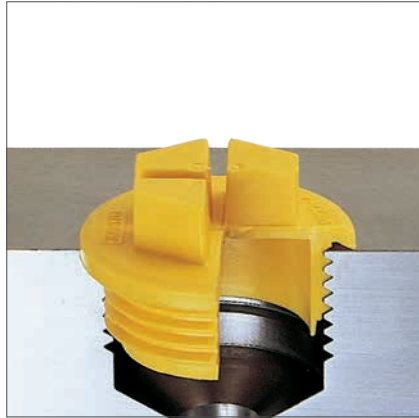
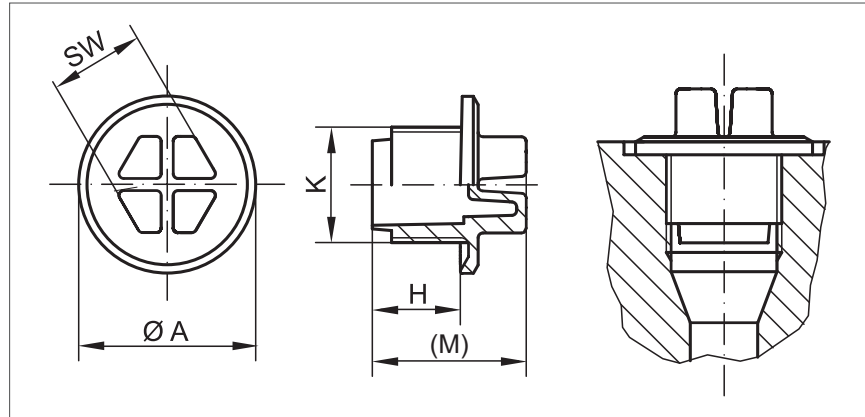
Contact, product search, CAD data download and sample requests: [www.poeppele.com](http://www.poeppele.com)

**KAPSTO®**



# Sealing Screw Plugs

## GPN 736



Suitable for thread K	Dimensions				Order no.
	A	H	(M)	Spanner width (width across flat)	
M 10 x 1	15.4	8.0	15.0	7	736 M 10 x 1
M 12 x 1.5	18.4	9.0	16.0	10	736 M 12 x 1.5
M 14 x 1.5	20.4	9.0	17.0	10	736 M 14 x 1.5
M 16 x 1.5	23.4	10.0	20.0	13	736 M 16 x 1.5
M 18 x 1.5	25.4	11.0	21.0	13	736 M 18 x 1.5
M 22 x 1.5	28.4	12.0	22.0	15	736 M 22 x 1.5
M 27 x 2	33.4	15.0	25.0	19	736 M 27 x 2
M 33 x 2	42.3	15.0	25.0	24	736 M 33 x 2
M 42 x 2	51.3	15.0	26.0	24	736 M 42 x 2
M 48 x 2	56.3	17.0	28.0	30	736 M 48 x 2
7/16 - 20 UNF	17.4	9.0	16.0	10	736 7/16 - 20 UNF
9/16 - 18 UNF	21.4	10.0	18.0	10	736 9/16 - 18 UNF
3/4 - 16 UNF	26.9	11.0	21.0	13	736 3/4 - 16 UNF
7/8 - 14 UNF	30.4	13.0	23.0	15	736 7/8 - 14 UNF
1 1/16 - 12 UN	37.9	15.0	25.0	19	736 1 1/16 - 12 UN
1 5/16 - 12 UN	44.8	15.0	25.0	24	736 1 5/16 - 12 UN
1 5/8 - 12 UN	55.8	15.0	26.0	30	736 1 5/8 - 12 UN
1 7/8 - 12 UN	63.3	15.0	26.0	30	736 1 7/8 - 12 UN

### Your KAPSTO® quality benefits:



#### Standard protection:

Suitable for internal threads in accordance with to DIN 3852-1, ISO 11926.



**Leak-proof:** The circumferential sealing lip (no mould-parting feature) prevents the penetration or leaking of liquids depending on the application.



**Robust:** Made from premium, impact-resistant polyamide.



#### Additional information:

Installation either with screw driver or spanner. Particularly suitable for processes like cleaning, testing, painting or for transport.

Size in mm

Colour and material alternatives, additional sizes, bespoke designs and technical cleanliness on request. For more information about materials, colours, drawings and application of our items, please see page 114/115.

>> You also might be interested in the following products: [GPN 551](#), [GPN 700](#), [GPN 738](#)

**Material:** PA 6  
**Colour:** Yellow



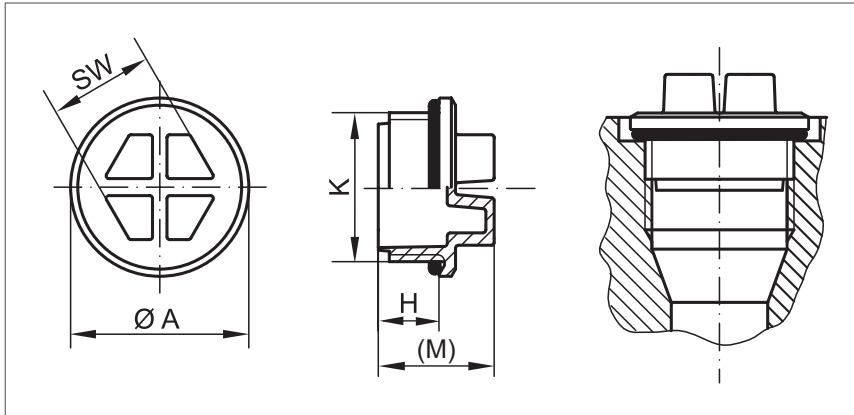
**PÖPPELMANN**

We will be happy to advise you: +49 4442 982-9166

**KAPSTO®**

# Sealing Screw Plugs with o-ring

## GPN 737



Suitable for thread K	Dimensions				Order no.
	A	H	(M)	Spanner width (width across flat)	
M 8 x 1	12.2	8.0	15.0	6	737 M 8 x 1
M 10 x 1	14.2	8.0	15.0	7	737 M 10 x 1
M 12 x 1.5	17.2	11.0	18.0	10	737 M 12 x 1.5
M 14 x 1.5	19.2	11.0	19.0	10	737 M 14 x 1.5
M 16 x 1.5	22.0	11.0	21.0	13	737 M 16 x 1.5
M 18 x 1.5	24.0	11.0	21.0	13	737 M 18 x 1.5
M 20 x 1.5	26.0	11.0	21.0	15	737 M 20 x 1.5
M 22 x 1.5	27.2	11.0	21.0	15	737 M 22 x 1.5
M 24 x 1.5	31.5	12.0	22.0	15	737 M 24 x 1.5
M 26 x 1.5	32.0	13.5	23.5	19	737 M 26 x 1.5
M 27 x 2	32.3	11.0	21.0	19	737 M 27 x 2
M 33 x 2	40.4	13.5	23.5	24	737 M 33 x 2
M 42 x 2	50.0	13.5	24.5	24	737 M 42 x 2
M 48 x 2	55.4	13.5	24.5	30	737 M 48 x 2
M 60 x 2	68.5	13.5	24.5	30	737 M 60 x 2
G 1/4	19.2	7.5	15.0	10	737 G 1/4
G 3/8	22.2	7.5	17.5	13	737 G 3/8
G 1/2	27.2	9.5	19.5	15	737 G 1/2
G 3/4	32.3	9.5	19.5	19	737 G 3/4
G 1	40.0	11.5	21.5	24	737 G 1
G 1 1/4	50.4	11.5	22.5	24	737 G 1 1/4
G 1 1/2	55.4	11.5	22.5	30	737 G 1 1/2
9/16 - 18 UNF	17.8	11.0	18.0	10	737 9/16 - 18 UNF

Size in mm

Colour and material alternatives, additional sizes, bespoke designs and technical cleanliness on request. For more information about materials, colours, drawings and application of our items, please see page 114/115.

>> You also might be interested in the following products: GPN 551, GPN 700, GPN 735



### Your KAPSTO® quality benefits:



#### Standard protection:

Suitable for internal threads in accordance with DIN 3852-1, DIN ISO 6149-1.



#### Leak-proof:

The circumferential sealing lip (no mould-parting feature) and the o-ring prevent the penetration or leaking of liquids depending on the application.



**Robust:** Made from premium, impact-resistant polyamide.



**Zusatzinformation:** Same design as GPN 736 but fitted with o-ring. For high leak-proof requirements, e.g. untreated sealing surfaces, high process temperatures, long process times and increased pressure inside the component.

**Material:** PA 6

**Colour:** Yellow



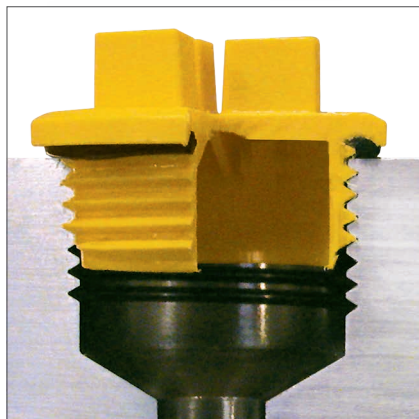
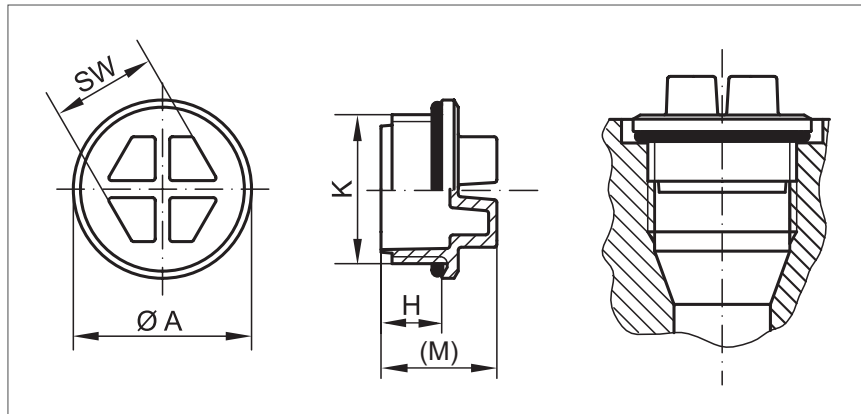
**PÖPPELMANN**

Contact, product search, CAD data download and sample requests: [www.poeppelemann.com](http://www.poeppelemann.com)

**KAPSTO®**

# Sealing Screw Plugs with o-ring

## GPN 738



Suitable for thread K	Dimensions				Order no.
	A	H	(M)	Spanner width (width across flat)	
M 10 x 1	15.4	8.0	15.0	7	738 M 10 x 1
M 12 x 1.5	18.4	9.0	16.0	10	738 M 12 x 1.5
M 14 x 1.5	20.4	9.0	17.0	10	738 M 14 x 1.5
M 16 x 1.5	23.4	10.0	20.0	13	738 M 16 x 1.5
M 18 x 1.5	25.4	11.0	21.0	13	738 M 18 x 1.5
M 22 x 1.5	28.4	12.0	22.0	15	738 M 22 x 1.5
M 27 x 2	33.4	15.0	25.0	19	738 M 27 x 2
M 33 x 2	42.3	15.0	25.0	24	738 M 33 x 2
M 42 x 2	51.3	15.0	26.0	24	738 M 42 x 2
M 48 x 2	56.3	17.0	28.0	30	738 M 48 x 2
7/16 - 20 UNF	17.4	9.0	16.0	10	738 7/16 - 20 UNF
9/16 - 18 UNF	21.4	10.0	18.0	10	738 9/16 - 18 UNF
3/4 - 16 UNF	26.9	11.0	21.0	13	738 3/4 - 16 UNF
7/8 - 14 UNF	30.4	13.0	23.0	15	738 7/8 - 14 UNF
1 1/16 - 12 UN	37.9	15.0	25.0	19	738 1 1/16 - 12 UN
1 5/16 - 12 UN	44.8	15.0	25.0	24	738 1 5/16 - 12 UN
1 5/8 - 12 UN	55.8	15.0	26.0	30	738 1 5/8 - 12 UN
1 7/8 - 12 UN	63.3	15.0	26.0	30	738 1 7/8 - 12 UN

### Your KAPSTO® quality benefits:



#### Standard protection:

Suitable for internal threads in accordance with to DIN 3852-1, ISO 11926.



#### Leak-proof:

The circumferential sealing lip (no mould-parting feature) and the o-ring prevent the penetration or leaking of liquids depending on the application.



**Robust:** Made from premium, impact-resistant polyamide.



**Additional information:** Same design as GPN 736 but fitted with o-ring. For high leak-proof requirements, e.g. untreated sealing surfaces, high process temperatures, long process times and increased pressure inside the component.

**Material:** PA 6

**Colour:** Yellow

Size in mm

Colour and material alternatives, additional sizes, bespoke designs and technical cleanliness on request. For more information about materials, colours, drawings and application of our items, please see page 114/115.

>> You also might be interested in the following products: [GPN 551](#), [GPN 700](#), [GPN 736](#)



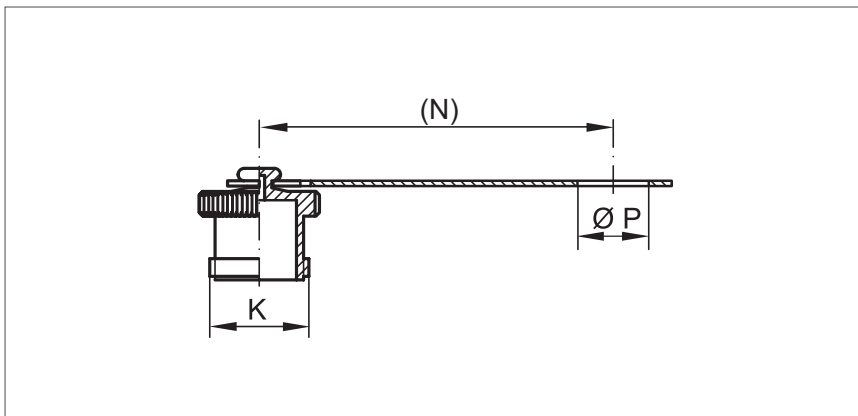
**PÖPPELMANN**

We will be happy to advise you: +49 4442 982-9166

**KAPSTO®**

# Protective Dust Plugs

## GPN 930 Type A



Suitable for nominal size	Dimensions			Order no.
	K	(N)	P	
DN 6 + 8	M 28 x 2	100.0	20.0	930 / 10075*
DN 10 + 12	M 36 x 2	110.0	24.0	930 / 10079*
DN 10 + 12	M 36 x 2	135.0	29.5	930 / 10030
DN 16 + 20	RD 48 x 3	145.0	41.0	930 / 10083*
DN 25 + 32	RD 70 x 3	200.0	55.0	930 / 10087*

Size in mm

Colour and material alternatives, additional sizes, bespoke designs and technical cleanliness on request. For more information about materials, colours, drawings and application of our items, please see page 114/115.

\*Strap eye not slotted.

>> You also might be interested in the following products:  
GPN 920 Form A, GPN 920 Form B, GPN 930 Form B



### Your KAPSTO® quality benefits:



#### Standard protection:

Protect open couplings and particularly their thread.



#### Leak-proof:

Provides limited sealing action against an ingress or outflow of fluids.



#### Additional information:

Self-retaining design due to integral strap.

**Material:** PE-HD

**Material Strap:** PE-LLD

**Colour:** Red



**PÖPPELMANN**

Contact, product search, CAD data download and sample requests: [www.poeppelemann.com](http://www.poeppelemann.com)

**KAPSTO®**



Do you know, why the  
moulds of your special  
parts are in good  
hands?

One answer is:

**Engin.**

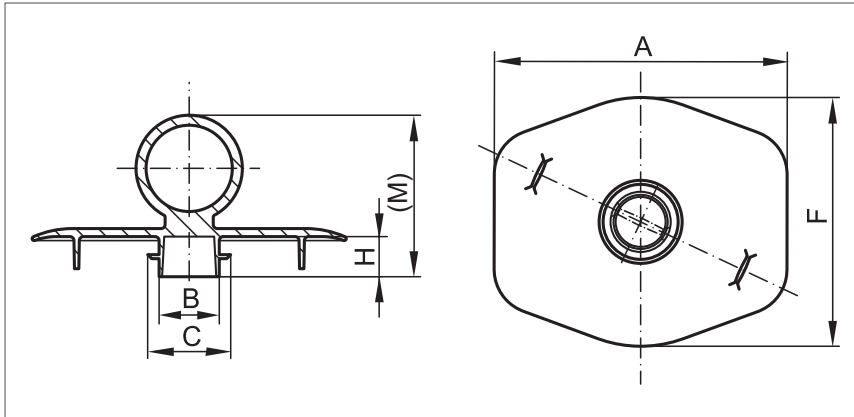


For all answers, please  
see page 122/123.

**We are doing it.**

# Flange Covers

## GPN 640



Suitable for flange size high pressure	A	F	B	C	H	(M)	Order no.
1/2	58.0	50.0	8.5	14.3	10.0	40.3	640 HD 1/2
3/4	73.0	62.0	15.0	20.7	10.0	40.3	640 HD 3/4
1	83.0	72.0	20.0	27.0	10.0	40.3	640 HD 1
1 1/4	98.0	81.0	26.5	33.5	10.0	40.3	640 HD 1 1/4

Size in mm

Colour and material alternatives, additional sizes, bespoke designs and technical cleanliness on request. For more information about materials, colours, drawings and application of our items, please see page 114/115.

>> You also might be interested in the following products: [GPN 690](#)



### Your KAPSTO® quality benefits:



**Standard protection:**  
Protection for SAE flanges.



**Time-saving:**  
With ring lug for easy handling.



**Multifunctional:** Larger tolerances accommodated by ribs.



**Additional information:** With clamping ribs and positioning bars for reliable fit.

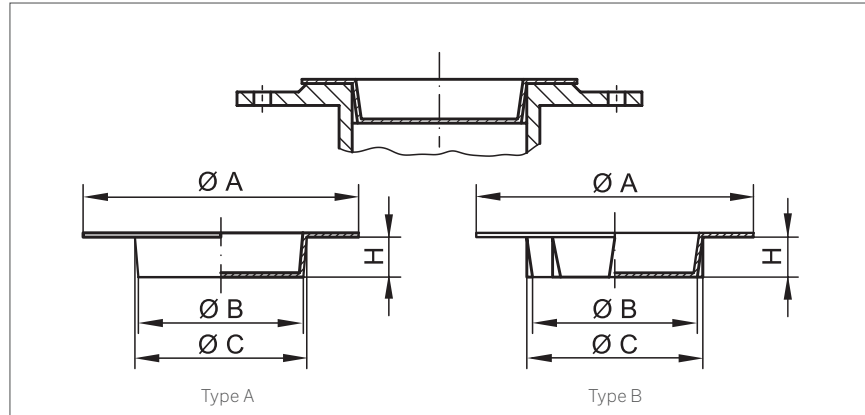
**Material:** PE-LLD

**Colour:** Yellow



# Flange Covers

## GPN 650



**Type A** (shaft without ribs)

Suitable for nominal width	Dimensions				Order no.
	A	B	C	H	
15.0	45.0	14.0	16.8	10.0	650 / 15
20.0	58.0	19.0	22.8	15.0	650 / 20
25.0	68.0	23.0	27.0	15.0	650 / 25
32.0	78.0	30.0	34.0	14.8	650 / 32
40.0	88.0	38.0	42.0	15.0	650 / 40
50.0	102.0	48.0	52.0	15.0	650 / 50
65.0	122.0	62.0	67.8	20.0	650 / 65
70.0	128.0	67.0	73.4	20.0	650 / 70
80.0	138.0	77.0	82.8	20.0	650 / 80
100.0	162.0	97.0	103.3	20.0	650 / 100
125.0	205.0	122.0	127.6	20.0	650 / 125
140.0	220.0	137.0	143.8	20.0	650 / 140
150.0	245.0	147.0	152.8	20.0	650 / 150
200.0	300.0	197.0	202.0	18.0	650 / 200
250.0	395.0	248.0	252.0	18.0	650 / 250

Size in mm

Colour and material alternatives, additional sizes, bespoke designs and technical cleanliness on request. For more information about materials, colours, drawings and application of our items, please see page 114/115.

>> You also might be interested in the following products: [GPN 655](#), [GPN 670](#), [GPN 680](#)

### Your KAPSTO® quality benefits:



#### Standard protection:

Protection for flanges in accordance with DIN EN 1092-1 and DIN EN 28117.



**Multifunctional:** Design B with additional clamping ribs for accommodating larger tolerances.



#### Additional information:

Closes the opening and protects the sealing face of the flange fitting.

**Material:** PE-LD

**Colour:** Yellow



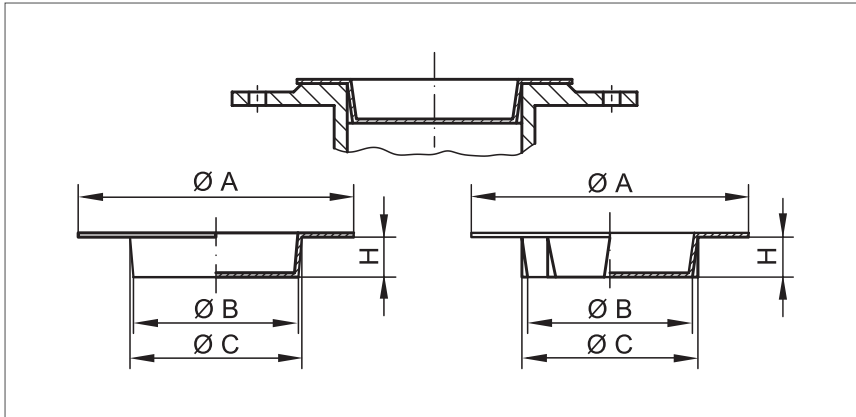
**PÖPPELMANN**

We will be happy to advise you: +49 4442 982-9166

**KAPSTO®**

# Flange Covers

## GPN 650



### Type B (shaft with ribs)

Suitable for nominal width	Dimensions				Order no.
	A	B	C	H	
10.0	40.0	7.5	10.5	10.0	650 / 10-R
15.0	45.0	12.5	15.8	10.0	650 / 15-R
20.0	59.0	16.0	22.0	15.0	650 / 20-R
25.0	68.0	21.0	26.0	15.0	650 / 25-R
32.0	78.0	28.0	33.5	15.0	650 / 32-R
40.0	88.0	36.0	41.5	15.0	650 / 40-R
50.0	102.0	46.0	51.0	15.0	650 / 50-R
65.0	122.0	60.0	66.0	20.0	650 / 65-R
80.0	138.0	74.5	81.0	20.0	650 / 80-R
100.0	162.0	93.0	102.0	20.0	650 / 100-R
125.0	205.0	118.0	127.0	20.0	650 / 125-R
150.0	245.0	140.0	152.0	20.0	650 / 150-R

Size in mm

Colour and material alternatives, additional sizes, bespoke designs and technical cleanliness on request. For more information about materials, colours, drawings and application of our items, please see page 114/115.

>> You also might be interested in the following products: [GPN 655](#), [GPN 670](#), [GPN 680](#)



### Your KAPSTO® quality benefits:



#### Standard protection:

Protection for flanges in accordance with DIN EN 1092-1 and DIN EN 28117.



**Multifunctional:** Design B with additional clamping ribs for accommodating larger tolerances.



#### Additional information:

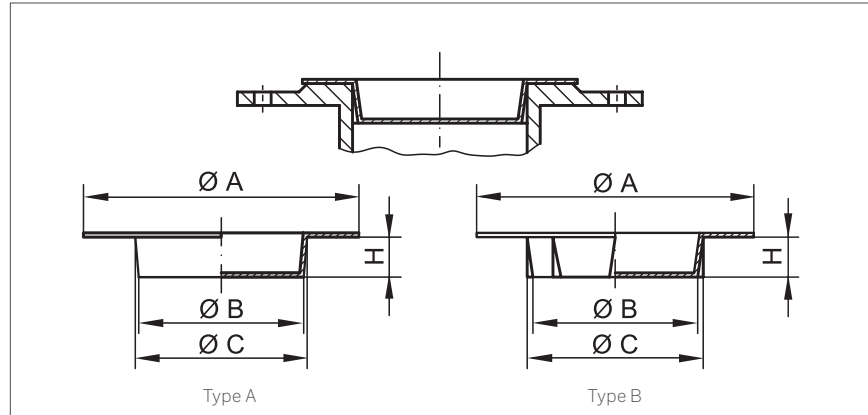
Closes the opening and protects the sealing face of the flange fitting.

**Material:** PE-LD

**Colour:** Yellow

# Flange Covers

## GPN 655



**Type A** (shaft without ribs)

Suitable for nominal width	Dimensions				Order no.
	A	B	C	H	
200.0	270.0	208.0	210.0	18.0	655 / 200
250.0	375.0	255.0	261.0	20.5	655 / 250
300.0	375.0	308.0	313.0	22.0	655 / 300
350.0	440.0	341.0	346.0	22.5	655 / 350
400.0	490.0	398.0	408.0	30.0	655 / 400

**Type B** (shaft with ribs)

Suitable for nominal width	Dimensions				Order no.
	A	B	C	H	
15.0	75.0	16.7	17.8	10.0	655 / 15-R
25.0	100.0	27.3	28.8	15.0	655 / 25-R
32.0	110.0	36.5	38.5	15.0	655 / 32-R
40.0	125.0	42.0	44.4	15.0	655 / 40-R
50.0	135.0	55.0	56.5	15.0	655 / 50-R
65.0	122.0	68.0	71.0	20.0	655 / 65-R
80.0	138.0	81.0	83.1	20.0	655 / 80-R
100.0	190.0	106.0	108.5	20.0	655 / 100-R
125.0	225.0	131.5	134.0	20.0	655 / 125-R
150.0	270.0	160.0	161.5	20.0	655 / 150-R

Size in mm

Colour and material alternatives, additional sizes, bespoke designs and technical cleanliness on request. For more information about materials, colours, drawings and application of our items, please see page 114/115.

>> You also might be interested in the following products: GPN 650, GPN 670, GPN 680

### Your KAPSTO® quality benefits:



**Standard protection:**

Protection for flanges in accordance with ASME B 16.5.



**Multifunctional:** Design B with additional clamping ribs for accommodating larger tolerances.



**Additional information:**

Closes the opening and protects the sealing face of the flange fitting.

**Material:** PE-LD

**Colour:** Yellow



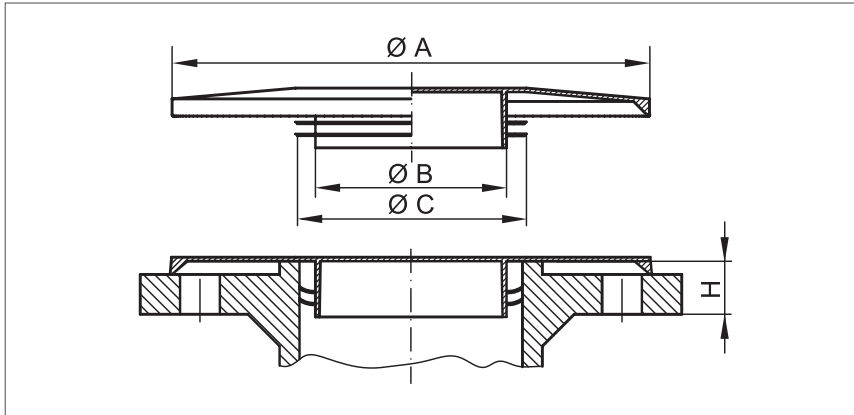
**PÖPPELMANN**

We will be happy to advise you: +49 4442 982-9166

**KAPSTO®**

# Flange Covers

## GPN 670



Dimensions				Order no.
A	B	C	H	
86.0	7.0	14.0	14.0	670 DN 10
90.0	10.0	19.0	14.0	670 DN 15
100.0	14.0	24.0	14.0	670 DN 20
110.0	19.0	30.0	19.0	670 DN 25
136.0	25.0	39.0	19.0	670 DN 32
146.0	30.0	45.0	19.0	670 DN 40
160.0	40.0	56.0	19.0	670 DN 50
180.0	53.0	72.0	19.0	670 DN 65
196.0	65.0	85.0	24.0	670 DN 80
216.0	87.0	109.0	24.0	670 DN 100
246.0	106.0	134.0	24.0	670 DN 125
280.0	135.0	161.0	34.0	670 DN 150
345.0	185.0	209.0	34.0	670 DN 200
400.0	238.0	262.0	34.0	670 DN 250



Your KAPSTO® quality benefits:



### Standard protection:

Protection for flanges in accordance with DIN EN 12351. Suitable for PN 10 through PN 400 an DN 10 through DN 250 in accordance with DN 2501 part 1, American National Standard ANSI B 16.5, British Standard BS 4504 an BS 1560.



**Multifunctional:** Larger tolerances accommodated by ribs.



### Additional information:

Closes the opening and covers sealing face and internal threads. Prevents accidental dislodging.

## Application Guide

Suitable for nominal width		DIN 2627/28/29/38/BS 4504							ANSI B 16.5/BS 1560					Order no.	
		PN 10-16	PN 25-40	PN 64	PN 100	PN 160	PN 250	PN 320	PN 400	Cl. 300	Cl. 400	Cl. 600	Cl. 900		Cl. 1500
10	3/8	●	●	●	●	●	●	●							670 DN 10
15	1/2	●	●	●	●	●	●	●	●	●	●	●	●	●	670 DN 15
20	3/4	●	●	●	●	●	●	●	●	●	●	●	●	●	670 DN 20
25	1	●	●	●	●	●	●	●	●	●	●	●	●	●	670 DN 25
32	1 1/4	●	●	●	●	●	●	●	●	●	●	●	●	●	670 DN 32
40	1 1/2	●	●	●	●	●	●	●	●	●	●	●	●	●	670 DN 40
50	2	●	●	●	●	●	●	●	●	●	●	●	●	●	670 DN 50
65	2 1/2	●	●	●	●	●	●	●	●	●	●	●	●	●	670 DN 65
80	3	●	●	●	●	●	●	●	●	●	●	●	●	●	670 DN 80
100	4	●	●	●	●	●	●	●	●	●	●	●	●	●	670 DN 100
125	5	●	●	●	●	●	●	●	●	●	●	●	●	●	670 DN 125
150	6	●	●	●	●	●	●	●	●	●	●	●	●	●	670 DN 150
200	8	●	●	●	●	●	●	●	●	●	●	●	●	●	670 DN 200
250	10	●	●	●	●	●	●	●	●	●	●	●	●	●	670 DN 250

Size in mm

Colour and material alternatives, additional sizes, bespoke designs and technical cleanliness on request. For more information about materials, colours, drawings and application of our items, please see page 114/115.

This application table is a guide only. We will be happy to send you free samples for testing. For apertures and bore holes without thread, please use dimensions B and C.

>> You also might be interested in the following products: GPN 650, GPN 655, GPN 680

**Material:** PE-LLD/PE-HD

**Colour:** Yellow



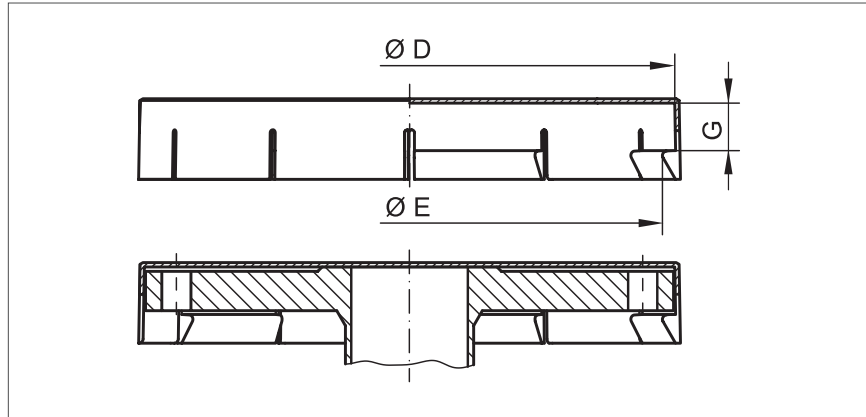
**PÖPPELMANN**

Contact, product search, CAD data download and sample requests: [www.poepelmann.com](http://www.poepelmann.com)

**KAPSTO®**

# Flange Covers

## GPN 680



Suitable for nominal width	Nominal pressure PN	Dimensions			Order no.
		D	E	G	
10	10. 16. 25. 40	90.0	81.0	17.0	680 DN 10
15	10. 16. 25. 40	95.0	86.0	17.0	680 DN 15
20	10. 16. 25. 40	105.0	96.0	19.0	680 DN 20
25	10. 16. 25. 40	115.0	106.0	19.0	680 DN 25
32	10. 16. 25. 40	140.0	131.0	19.0	680 DN 32
40	10. 16. 25. 40	150.0	141.0	19.0	680 DN 40
50	10. 16. 25. 40	165.0	156.0	21.0	680 DN 50
65	10. 16. 25. 40	185.0	176.0	22.0	680 DN 65
80	10. 16. 25. 40	200.0	191.0	24.0	680 DN 80
100	10. 16	220.0	211.0	24.0	680 DN 100
125	10. 16	250.0	241.0	25.0	680 DN 125
150	10. 16	285.0	276.0	25.0	680 DN 150
200	10. 16	340.0	331.0	27.0	680 DN 200

### Your KAPSTO® quality benefits:



#### Standard protection:

Protection for flanges in accordance with DIN EN 12351.



#### Additional information:

Particularly suitable for fittings with solid lining or tapered bore holes. With hook-snaps for firm fit.

**Material:** PE-LLD

**Colour:** Yellow

Size in mm

Colour and material alternatives, additional sizes, bespoke designs and technical cleanliness on request. For more information about materials, colours, drawings and application of our items, please see page 114/115.

>> You also might be interested in the following products: GPN 650, GPN 655, GPN 670



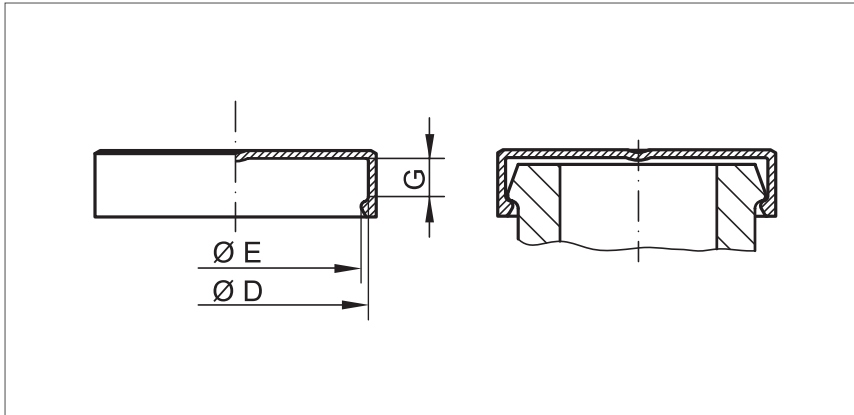
**PÖPPELMANN**

We will be happy to advise you: +49 4442 982-9166

**KAPSTO®**

# Protective Caps

## GPN 690



Dimensions			Order no.
D	E	G	
30.2	29.4	6.9	690 / 3001
31.7	30.9	7.9	690 / 6001
38.1	37.3	6.9	690 / 3002
41.3	40.5	8.9	690 / 6002
44.4	43.6	8.1	690 / 3003
47.6	46.8	9.7	690 / 6003
50.5	49.5	8.1	690 / 3004
54.0	53.2	10.4	690 / 6004
60.3	59.5	8.1	690 / 3005
63.5	62.5	12.7	690 / 6005
71.4	70.6	9.7	690 / 3006
79.4	78.6	12.7	690 / 6006
90.3	88.3	9.0	690 / 0090
106.0	104.0	10.0	690 / 0106
125.0	123.0	11.0	690 / 0125
150.0	148.0	12.0	690 / 0150
213.0	211.0	16.0	690 / 0213

### Guide for the Application with SAE flanges

Pressure level 3000 PSI (210 bar) Nominal width		Order no.	Pressure level 6000 PSI (420 bar) Nominal width		Order no.
12	1/2		690 / 3001	12	
20	3/4	690 / 3002	20	3/4	690 / 6002
25	1	690 / 3003	25	1	690 / 6003
32	1 1/4	690 / 3004	32	1 1/4	690 / 6004
40	1 1/2	690 / 3005	40	1 1/2	690 / 6005
50	2	690 / 3006	50	2	690 / 6006

Size in mm

Colour and material alternatives, additional sizes, bespoke designs and technical cleanliness on request. For more information about materials, colours, drawings and application of our items, please see page 114/115.

Products listed in the table opposite were developed specifically for SAE flanges. Pressure levels: 3000 PSI and 6000 PSI.

>> You also might be interested in the following products: GPN 640



Your KAPSTO® quality benefits:



**Standard protection:**  
Protection for SAE flange collars.



**Additional information:** Also suitable for pipe ends and hose-fittings. A circumferential rim ensures firm fit and easy handling.



**Material:** PE-LD from GPN 690/6006; PE-LLD  
**Colour:** Yellow



# Materials and Applications

## Material Characteristics\*

Type of plastic	Designation	Hardness
PE-LD	Polyethylene, Low Density	soft / elastic
PE-HD	Polyethylene, High Density	hard / elastic
PE-LLD	Polyethylene, Linear Low Density	soft / elastic
EVA	Ethylene vinyl acetate	very soft / elastic
PHT	Thermoplastic polyester elastomer	soft / elastic
TPE	Thermoplastic polyester elastomer	extremely soft / elastic
SI	Silicone	extremely soft / elastic
PP	Polypropylene	hard / stiff
PA 6	Polyamide 6	hard / tough
PA 6 GF 30	Polyamide 6 glass fibre reinforced	hard
PA 6.6	Polyamide 6.6	hard / tough
PA 6.6 GF 35	Polyamide 6.6 glass fibre reinforced	very hard

KAPSTO® plastic protection caps and plugs are primarily made from polyethylene (PE-LD, PE-HD) and polypropylene (PP). These are hydrocarbon compounds. They are recyclable, ground water neutral and suitable for thermal applications. For details, please see the product descriptions in this catalogue. For special mechanical, thermal or chemical loads, other materials are available. We will be happy to advise you.

## Chemical Resistance\*

Type of plastic	● Resistant				■ Conditionally resistant			
	Weak acids	Weak alkalis	Alcohol	Solvents	Fuels	Mineral oils	Grease/oils	Water, hot
PE-LD	●	●	●	■	■	■	●	●
PE-HD	●	●	●	■	■	●	●	●
PE-LLD	●	●	●	■	■	■	●	●
EVA	■	■	●	■	■	■	●	●
PHT	■	■	●	■	●	●	●	■
TPE	●	●	●	■	■	■	■	●
SI	■	■	●	■	■	■	■	■
PP	●	●	●	■	■	●	●	●
PA 6	■	●	●	●	●	●	●	■
PA 6 GF 30	■	●	●	●	●	●	●	■
PA 6.6	●	●	●	●	●	●	●	■
PA 6.6 GF 35	■	●	●	●	●	●	●	■



# Materials and Applications

## Special Colours\*

Colour	Note	Designation
Sulphur yellow	signal colour	RAL 1016
Pure orange	signal colour	RAL 2004
Fire red	signal colour	RAL 3000
Light blue		RAL 5012
Emerald green	signal colour	RAL 6001
Squirrel grey		RAL 7000
Blue grey		RAL 7031
Fawn brown		RAL 8007
Pure white		RAL 9010
Jet black		RAL 9005

KAPSTO® plastic protective parts are manufactured in standard colours which are listed in the respective product descriptions in this catalogue. Other colours are available at a surcharge. There may be colour deviations for technical reasons. Unavoidable deviations may be attributable to colour pigments or to the plastic raw materials. Contact us to ask about colours that are not listed.

## Physical Characteristics\*

Type of plastic	Temperature resistance			Light transmittance			Dimensional tolerance	
	Short-time	Continuous	Continuous	Clear	Transparent	Opaque	DIN 16901 or DIN 16742 TG9	DIN ISO 3302-1 or DIN 16742 TG9
PE-LD	80 °C	60 °C	-40 °C	●		●	●	
PE-HD	100 °C	80 °C	-40 °C	●	●	●	●	
PE-LLD	90 °C	70 °C	-40 °C	●	●	●	●	
EVA	60 °C	40 °C	-40 °C		●	●	●	
PHT	180 °C	120 °C	-40 °C			●	●	
TPE	150 °C	120 °C	-50 °C			●		●
SI	250 °C	170 °C	-50 °C		●			●
PP	130 °C	100 °C	-20 °C			●	●	
PA 6	150 °C	90 °C	-20 °C			●	●	
PA 6 GF 30	200 °C	110 °C	-20 °C			●	●	
PA 6.6	170 °C	90 °C	-20 °C			●	●	
PA 6.6 GF 35	220 °C	110 °C	-20 °C			●	●	

Dimensions in brackets are technical auxiliary dimensions and are not subject to dimensional tolerances.

### \*Note:

KAPSTO® plastic protective caps and plugs protect your component from damage and soiling during transport, storage and production. The illustrated applications are examples or intended use.

The application of KAPSTO® protective caps and plugs is in the sole discretion of the customer. Due to the plurality of possible influences while using or applying our products, we recommend that you carry out tests to determine suitability.

#### **We will gladly supply free samples.**

The material information comprised in this catalogue are based on generally available information provided by the raw material suppliers. This information does not account for the different effects that may occur in daily use. It must therefore not be interpreted as a guarantee of product properties and longevity.

According to legal regulations, KAPSTO® protective caps and plugs are no food commodities and can not be used for medical or pharmaceutical applications.



# KAPSTO® Cleanroom

## Plastics expertise implemented consistently:

Highest technical cleanliness.

On request, we are able to produce our items in a specially equipped production area, which is designed for highest technical cleanliness.

To ensure the cleanliness in our KAPSTO® Cleanroom, we are sampling and running particle analysis in accordance to VDA Band 19 and ISO 16232 on a regular basis.

Particle load of produced protective closures:

kind of particle	particle size
metallic	< 150 µm
non-metallic	< 300 µm
fibres	< 2.000 µm

We will be happy to advise you: **+49 4442 982-9166**.

## The KAPSTO® Cleanroom



KAPSTO® protective caps and plugs are protecting dependably sensitive, safety and functional-relevant components.



The machines and moulds are especially optimized for operating in the cleanroom.



**PÖPPELMANN**

We will be happy to advise you: **+49 4442 982-9166**

**KAPSTO®**

## KAPSTO® Cleanroom



To avoid contamination of our items, the caps and plugs will be packed in zip lock bags, which will be combined to bigger packages.



Specially trained staff is monitoring the complete production, which is operating in three shifts.



**PÖPPELMANN**

Contact, product search, CAD data download and sample requests: [www.poepelmann.com](http://www.poepelmann.com)

**KAPSTO®**



Have you ever asked  
yourself, why we always  
find a solution to every  
challenge?

One answer is:

**Rüdiger.**

For all answers, please  
see page 122/123.

**We are doing it.**



# Non-standard Range

Even larger choice:

## The KAPSTO® Non-standard Range.

The extensive KAPSTO® standard range is available from stock.

In addition, our KAPSTO® Non-standard Range offers approx. 2,000 additional designs that can be manufactured with existing tools individually and to order - fast and cost-efficiently.

We will be happy to advise you: **+49 4442 982-9166.**

### Some examples of articles from the KAPSTO® Non-standard Range:



Filling Closures



Double Plugs



Combination Plugs



Bushes and Sleeves without Collar



Covers



Cable Ties



Plugs with Tab



Double Plugs



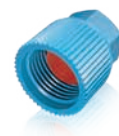
Bushes and Sleeves with Collar



Valve covers



Transport Clamps



Filling Closures



Locking Screws for PG threads



Protective Caps with Ribs



Ribbed Oval Plugs



Caps for Flanged Pipe



Tapered Plugs with Tab



Protective Plugs



Screw Caps



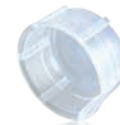
Tamper-proof Closures



Double-wall Protective Caps



Fastenings Clamps



Push-on Screw Caps



Guard Rings



**PÖPPELMANN**

Contact, product search, CAD data download and sample requests: [www.poepelmann.com](http://www.poepelmann.com)

**KAPSTO®**



# Tailored Solutions

## Fast, targeted and safe:

Pöppelmann KAPSTO® as your development partner.

On request, we will develop and manufacture individually Tailored Solutions. This costs less than you think.

Usually, there is no need to construct new tools from scratch. In most cases, it is sufficient to make special mould inserts for existing tools.

We will be happy to advise you: **+49 4442 982-9166**.

### Examples for special Tailored Solutions:



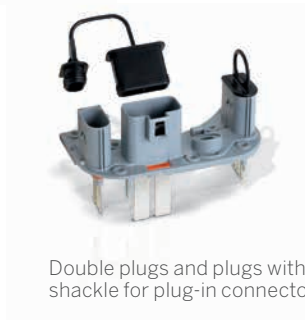
Two-pieces cover for fine chromatisation



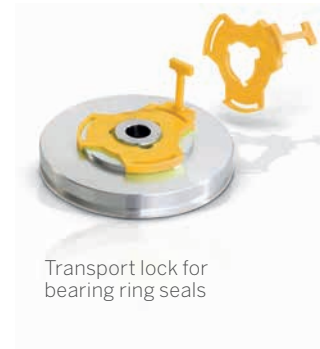
Cover for coaxial contacts



Line end cap with absorption foam for collecting residual fuel.



Double plugs and plugs with ring shackle for plug-in connectors



Transport lock for bearing ring seals



**PÖPPELMANN**

We will be happy to advise you: **+49 4442 982-9166**

**KAPSTO®**

# Tailored Solutions

Secure your competitive advantage:

**Benefit from the Pöppelmann KAPSTO® factors for success.**

**Competent, customer-oriented project management.**



Our **carefree package** for you: many of the tasks involved in the project as a whole are taken on by Pöppelmann KAPSTO®. This saves you as our customer much time and additional costs (e.g. external developers and toolmakers).

**Modern, fast, CAD-controlled developer tools and rapid prototyping.**



**Virtual product development and optimisation** as an efficient way to a serial tool - e.g. by application of 3D simulations or CATIA V5 at more than 40 CAD workplaces. Furthermore, application of rapid prototyping for fast and low-priced manufacture of samples.

**Highest precision in our own tool shop.**



In the complex world of the injecting moulds, the developments take shape. Our own tool shop ensures **short reaction times** und **high flexibility in the construction of new and the modification and repair of existing moulds.**

**Efficient serial production.**



The best preconditions for a successful cooperation. The Pöppelmann KAPSTO® production is characterised by **continuous quality, highcapacity production and exemplary cleanliness, including our proven quality management** certified according to DIN EN ISO 9001:2008. Our environmental management system is inspected in accordance with EMAS II and DIN EN ISO 14001:2005.



**PÖPPELMANN**

Contact, product search, CAD data download and sample requests: [www.poeppelemann.com](http://www.poeppelemann.com)

**KAPSTO®**



# We are doing it.

Die Pöppelmann KAPSTO® service advantages.

## On-site consulting.

Our Pöppelmann KAPSTO® sales representatives have a dedicated territory and are readily available to assist you. This allows for fast and flexible appointment scheduling. Thanks to our long-term experience, we have an extensive product and application knowledge and are happy to advise you.

## Online product search.

Easy and intuitive product search on [www.poeppelmann.com](http://www.poeppelmann.com) to determine a suitable solution from more than 3,000 versions. Our colleagues from the sales department are more than happy to help you in case of any questions.

## Applications consulting.

As employees of the Pöppelmann group, our complete sales team can access all resources, contacts and the knowledge of 60 years company history. From a competent advice over free samples to prepare a quote - we are looking forward to helping you!

## Available in stock.

Our full product range, with more than 3,000 different parts, is always available in stock. You can rely on optimal stock availability and fast delivery from Pöppelmann KAPSTO®.

## Free samples.

Our inside sales team will help you to find the perfect solution for your needs. We are happy to offer you a selection of choices and send free samples for testing. Once you have decided on the perfect cap or plug, you can rely on fast and error-free order processing.

## No minimum order quantity.

Our dispatch team works to your requirements. This applies to every single delivery. We do not have standard packaging units. You can order any quantity that fits your needs.





Our service team is looking forward to helping you.  
**Application consulting, catalogue requests  
 and orders: +49 4442 982-9166**

## CAD Downloads.

Every single cap and plug is available as a CAD download on [www.poeppelmann.com](http://www.poeppelmann.com). This saves you time during the design process. The CAD/CAM network provides fast data exchange and easy transfer of existing 3D customer data.

## Mould shop.

Our dedicated mould shop and company-owned principal mould system allows for flexibility in the construction of new moulds. We can offer you new customized designs with our existing tools.

## Quality management.

Our quality management team ensures consistent quality, high production output and exemplary cleanliness. Additionally, our production is DIN EN ISO 9001:2008, EMAS II, and DIN EN ISO 14001:2005 certified.

## Tailored Solutions.

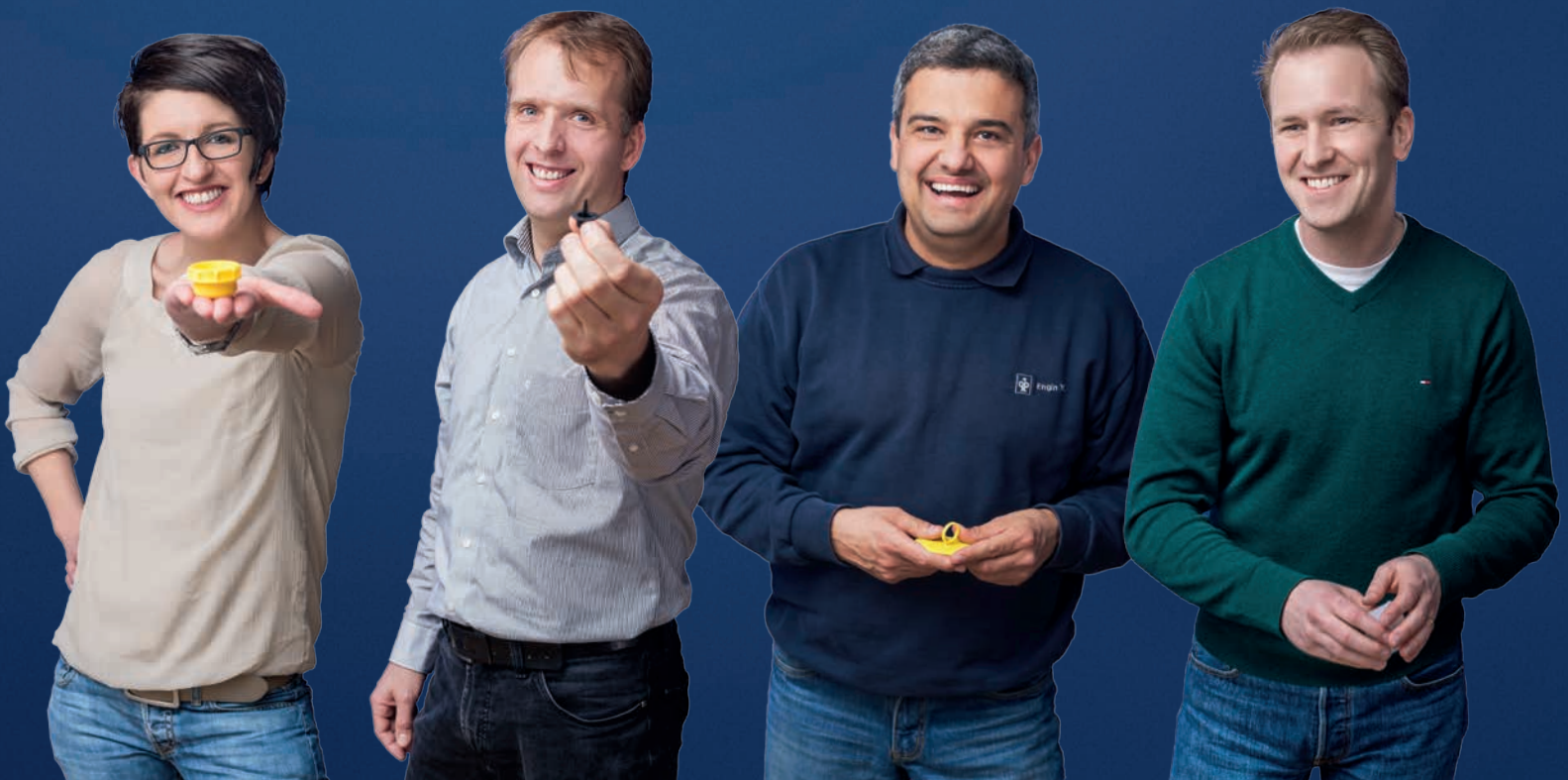
Our technical department can develop individually Tailored Solutions for you upon request. In most cases, we can build special mould inserts for our existing moulds to produce your customized design.

## Special colours and materials.

Next to the standard versions of our items, we are able to produce our caps and plugs in different materials and colours. - Feel free to contact us!

## Short development times.

Rapid prototyping (e.g. 3D printing) is supplying functional samples at an early stage of development. In addition to that, we are working with CATIA V5, 3D simulations, GOM measurements. Our laboratory is used for functional trials as well. Ideas and developments are coming easily to life. You will benefit from time and costs advantages.



Pöppelmann – A family business  
and the business units.

**Plastics. Our profession.**



**PÖPPELMANN**

We will be happy to advise you: **+49 4442 982-9166**

**KAPSTO®**





Ready to meet all tasks: The wide range of qualifications of our more than 2,000 Pöppelmann employees enable us to find individual solutions for every industry.



**PÖPPELMANN**

Contact, product search, CAD data download and sample requests: [www.poeppelemann.com](http://www.poeppelemann.com)

**KAPSTO®**



# The company

## Discover a successful family business:

Pöppelmann – a strong partner.

Since 1949, Pöppelmann has developed five production sites with 550 injection moulding and thermoforming machines and extruders, growing into one of leading manufacturers in the plastics processing industry.

"Made by Pöppelmann" quality is valued in over 90 countries worldwide. This includes a wide range of sectors: We supply the commercial horticulture with plant pots and cultivation systems and are also partners for numerous companies in the fields of machine and equipment engineering, the automotive, electrical, solar, food and beverage, chemical, pharmaceutical, cosmetics and medical industries, as well as surface engineering and the controls and instruments industry.

Germany, Plant 1:  
Pöppelmann GmbH & Co. KG, Kunststoffwerk-Werkzeugbau, Lohne.



**PÖPPELMANN**

We will be happy to advise you: +49 4442 982-9166

**KAPSTO®**

# The company



Germany, Plant 2:  
Pöppelmann Kunststoff-Technik GmbH &  
Co.KG, Lohne



Germany, Plant 3:  
Pöppelmann GmbH & Co. KG, Lohne



France:  
Plastiques Pöppelmann France S.A.S., Rixheim



USA:  
Pöppelmann Plastics USA LLC, Claremont, NC



**PÖPPELMANN**

Contact, product search, CAD data download and sample requests: [www.poeppelemann.com](http://www.poeppelemann.com)

**KAPSTO®**

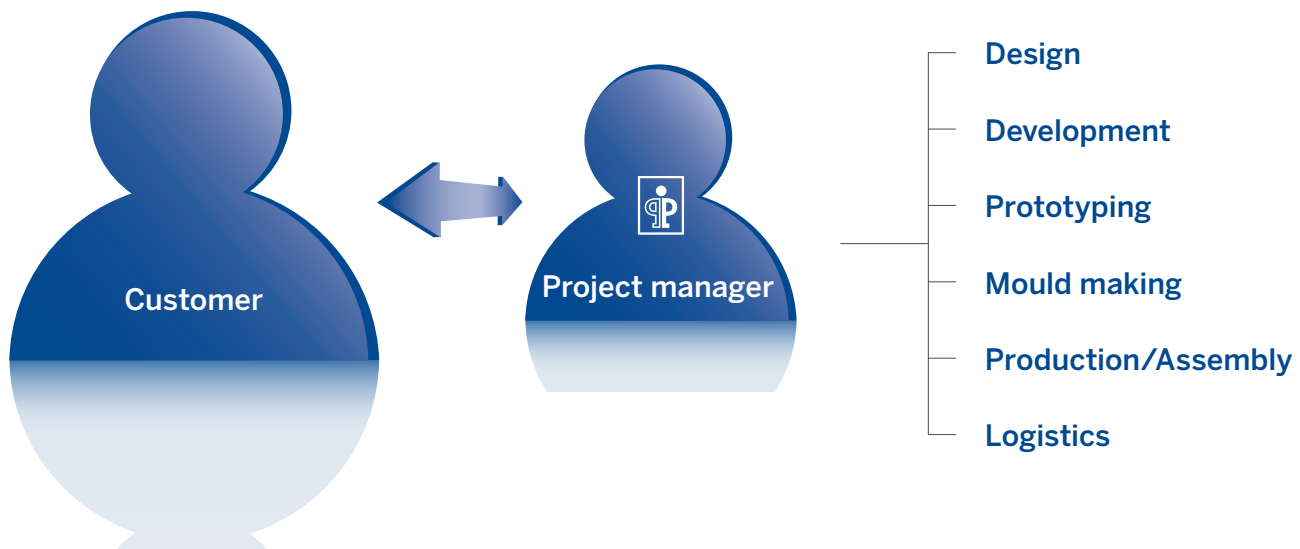
# Business unit Pöppelmann K-TECH®

## Precise technical plastic moulded parts:

Pöppelmann K-TECH® – for the highest demands.

From development through to serial production: For sectors such as renewable energy, machine and equipment engineering as well as the automotive and electrical industry, Pöppelmann K-TECH® manufactures high-precision technical injection moulded parts. Specific quality requirements and individual new developments are the norm here rather than the exception.

**YOU** define the requirements – **WE** develop and implement the right solution!







**Short development times.**



**Highest demands.**



**Everything from one source.**



**Efficient.**

**+ Individual product development:**

Concept counselling

**+ Feasibility studies:**

Plastic-compatible design

**+ Quick samples:**

Design or evaluation samples

**+ Item-compatible machinery:**

Injection moulding machines form 25 t - 1,300 t

**+ Flexible mould design:**

for example: principal mould system, unhardened moulds

**+ Pöppelmann environmental management:**

Sustainable utilisation of resources

**+ Customer service:**

From development to production

**+ Pöppelmann network:**

long term experience

**+ One contact for everything:**

Your project manager

**+ Fast response time:**

high productive capacity due to three shift model

**+ Demand-oriented moulds:**

suitable for your solution

**+ Short delivery time:**

we adapt to your schedules



Shelf for fire service helmet



Housings for electronic boards



Mounting plate and cover



Chainsaw starter housing



CBC retainer with battery box



Over center spring



**PÖPPELMANN**

Contact, product search, CAD data download and sample requests: [www.poeppelemann.com](http://www.poeppelemann.com)

**KAPSTO®**

# Buisness unit Pöppelmann FAMAC®

## Functional components and modern packaging:

Pöppelmann FAMAC® – including high-tech serial production.

Pöppelmann FAMAC® develops and produces technical functional parts and packaging for the food and beverage, pharmaceutical and cosmetics industry as well as medical engineering. For these applications, the introduction and use of a quality management system has been certified in accordance with DIN EN ISO 9001:2008 and DIN EN ISO 13485:2010 and a hygiene management system (HACCP) has been certified in accordance with the principles of the CODEX Alimentarius.



Plastic solutions for the food industry



Products for the cosmetics industry



Individual solutions for the pharmaceutical industry



Examples of tailored solutions for medical engineering



**PÖPPELMANN**

We will be happy to advise you: +49 4442 982-9166

**KAPSTO®**



# Buisness unit Pöppelmann TEKU®

## Innovation for growing success:

PöppelmannTEKU® – simply more versatile.

The Pöppelmann TEKU® division develops and produces plant pots and cultivation systems for the professional horticulture industry. The diversity of the TEKU® range with over 600 products in more than 2,000 versions offers the ideal solution for every type of cultivation. From pots and trays through to custom printing, Pöppelmann TEKU® offers you everything from one source.



Round pots/containers –  
Thermoformed



Round pots/containers –  
Injection moulded



Square pots



Bowls/hanging baskets



Decorative pots  
and containers



Transport/cultivation trays



Cultivation/marketing trays



Propagation trays



Printing and Labelling



**PÖPPELMANN**

Contact, product search, CAD data download and sample requests: [www.poeppelemann.com](http://www.poeppelemann.com)

**KAPSTO®**

We're here for you. **Worldwide.**



#### [1] Deutschland

Pöppelmann GmbH & Co. KG  
Kunststoffwerk-Werkzeugbau  
Bakumer Straße 73  
49393 Lohne  
Telefon 04442 982-9100  
Telefax 04442 982-9150  
kapsto@poeppelemann.com

Pöppelmann Kunststoff-Technik  
GmbH & Co. KG  
Hermann-Staudinger-Straße 1  
49393 Lohne  
Telefon 04442 982-620  
Telefax 04442 982-668  
k-tech@poeppelemann.com

Pöppelmann GmbH & Co. KG  
Kunststoffwerk-Werkzeugbau  
Pöppelmannstraße 5  
49393 Lohne  
Telefon 04442 982-3900  
Telefax 04442 982-417  
famac@poeppelemann.com

#### [2] France

Plastiques Pöppelmann France S.A.S.  
3 rue Robert Schuman  
B.P. 87  
68172 Rixheim Cedex  
Tél. +33 3 89 63 33 10  
Fax +33 3 89 54 05 97  
ppf@poeppelemann.com

#### [3] USA

Pöppelmann Plastics USA LLC  
2180 Heart Drive · P.O. Box 459  
Claremont, NC 28610  
Phone +1 828-466-9500  
Toll free +1 866-886-1556  
Fax 828-466-9529  
info@poppelmannUSA.com

#### [4] Česká republika/Slovensko

Pöppelmann Plasty s.r.o.  
Kaštanová 639/143  
617 00 Brno, Česká republika  
Tel. +420 543 250-219  
Fax +420 543 250-266  
ppcz@poeppelemann.com

#### [5] España

Pöppelmann Ibérica S.R.L.U.  
Plaça Vicenç Casanovas, 11-15  
08340 Vilassar de Mar (Barcelona)  
Tel. +34 93 754 09 20  
Fax +34 93 754 09 21  
ppi@poeppelemann.com

#### [6] Skandinavien

Pöppelmann Plastik Skandinavien ApS  
Magnoliavej 10,1. tv.  
5250 Odense SV, Danmark  
Tlf. +45 63 10 21 00  
Fax +45 63 10 21 01  
ppskan@poeppelemann.com

#### [7] United Kingdom

Gary Standing  
Mobil +44 793 033 6047  
Fax +44 148 237 3939  
GaryStanding@poeppelemann.com

#### [8] Polska

Mariusz Cichon  
Mobil +48 883 36 86 88  
Fax +48 126 59 15 01  
MariuszCichon@poeppelemann.com

[www.poeppelemann.com](http://www.poeppelemann.com)