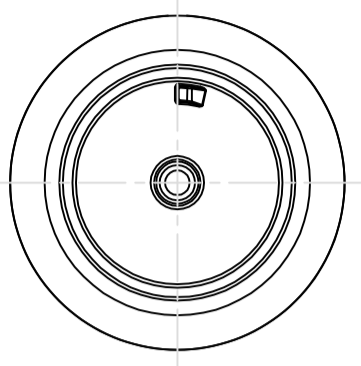
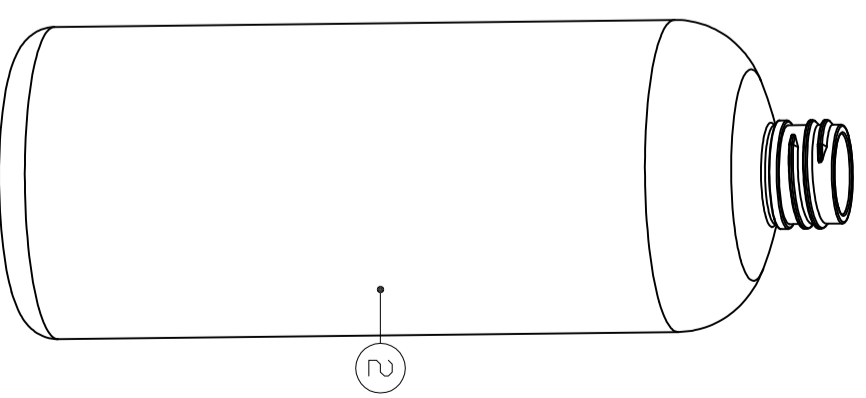
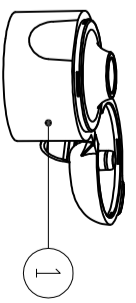
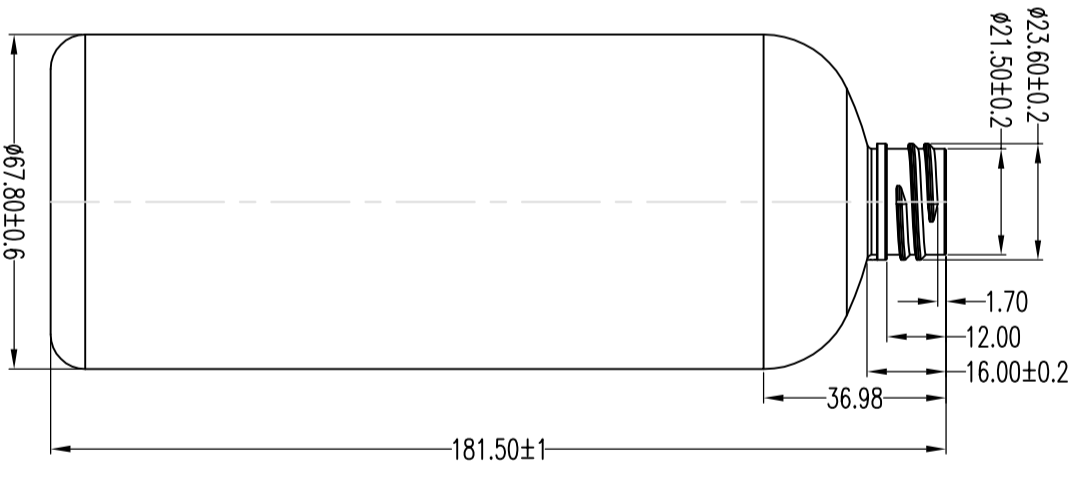
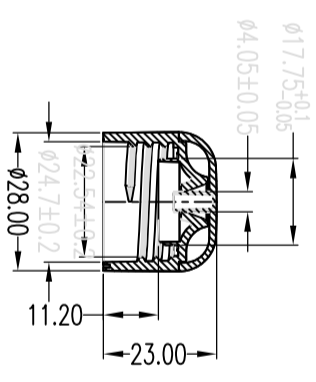
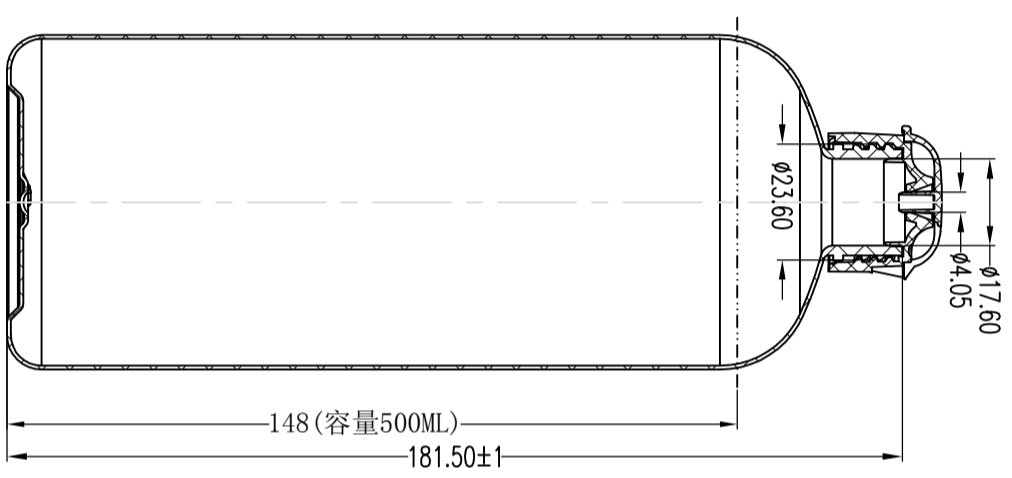
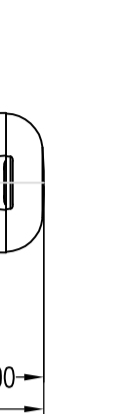


NO.	NAME	MATERIAL	WEIGHT
①	Cap	PP	4.3g
②	Bottle	PET	45g
③			
④			
⑤			
⑥			
⑦			



ALLOWABLE TOLERANCE

0-10	±0.20
11-20	±0.30
21-35	±0.40
36-60	±0.50
61-90	±0.70
91-150	±0.90
> 150	±1.20



Drawn By XCC
 Checked By YJW
 Approved by

2020.08.20 2020.08.19

PB2020006-500ml

Rev	Date	Modifications	By
Product	500ML	Bottle	OFC
Drawing No			544±10ML
Product ID	B914	Scale 1:1.5	Material
Part Name	Unit MM	Edition	A1
Paper Size	A3	Client	View