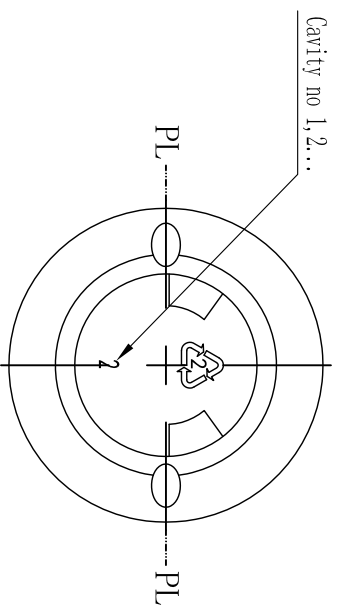



PB2020034



Thread Description:

Thread Pitch: 3.00mm (single)



ALLOWABLE TOLERANCE		 Element packaging	Drawn By	Checked BY	Approved by
0-15	±0.20				
15-30	±0.30				
30-50	±0.40				
50-99	±0.50				
100-149	±0.60				
≥150	±0.80	XCC	2020.01.16		

Rev	Date	Modifications	By

Product	150ML Bottle		
Drawing No		Paper Size	A4
Product ID		Edition	A1
Part Name	Bottle	Scale	1:1.5
OFC	170±5ML	Unit	MM
Weight	15g	Client	RC
Material	PE		
View	 	Page	1/1