

Mark	Modifications	Modifier	Date
------	---------------	----------	------

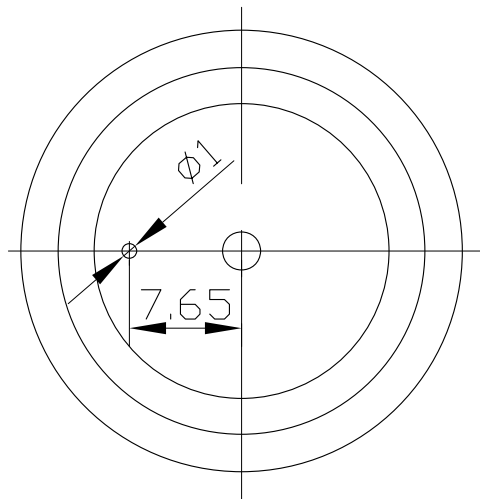
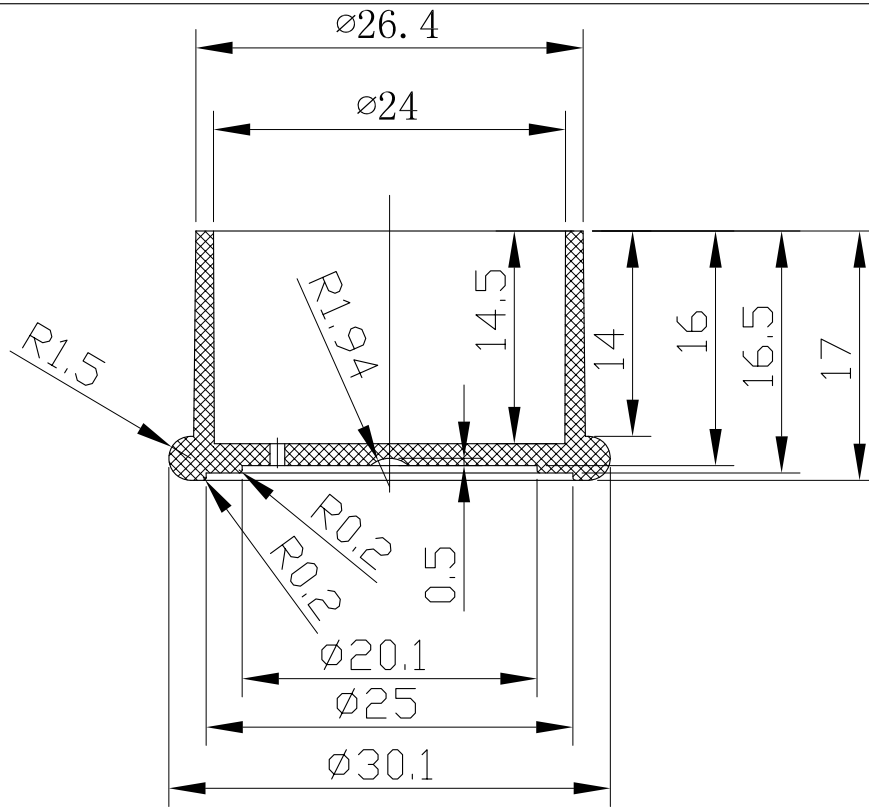


0 ≥ 10 — ± 0.15
 10 ≥ 40 — ± 0.20
 40 ≥ 90 — ± 0.3
 90 ≥ 200 — ± 0.5
 Angular — ± 0.5°

MAT' L:
 SCALE:
 PROG:



PRODUCT: 20ml Vacuum bottle -Assembly
 DRW. NO: PA2020021-20ml
 PART WEIGHT:
 DATE: 2009/11/12
 PAGE:
 DESIGNER: Eric
 CHECKED BY:
 APPROVED BY:



Mark	Modifications	Modifier	Date



$0 \geq 10 \rightarrow \pm 0.15$
 $10 \geq 40 \rightarrow \pm 0.20$
 $40 \geq 90 \rightarrow \pm 0.3$
 $90 \geq 200 \rightarrow \pm 0.5$
 Angular $\rightarrow \pm 0.5^\circ$

MAT' L: **ABS**

SCALE:

PROG:

PRODUCT:

DRW. NO:

PART WEIGHT:

DATE: 2009/11/12

PAGE:

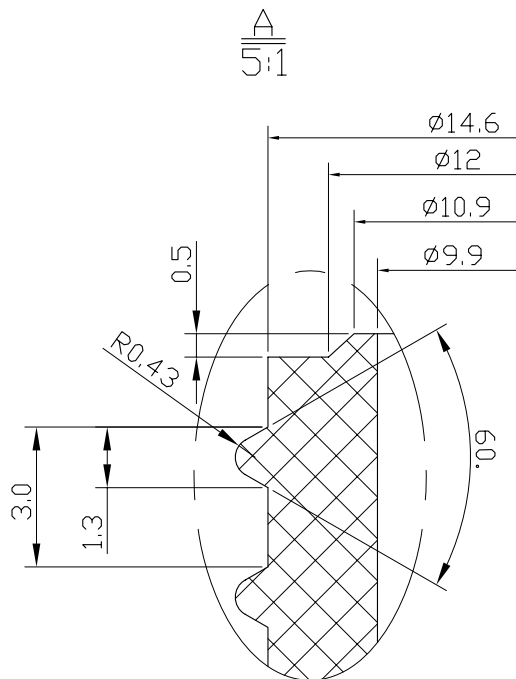
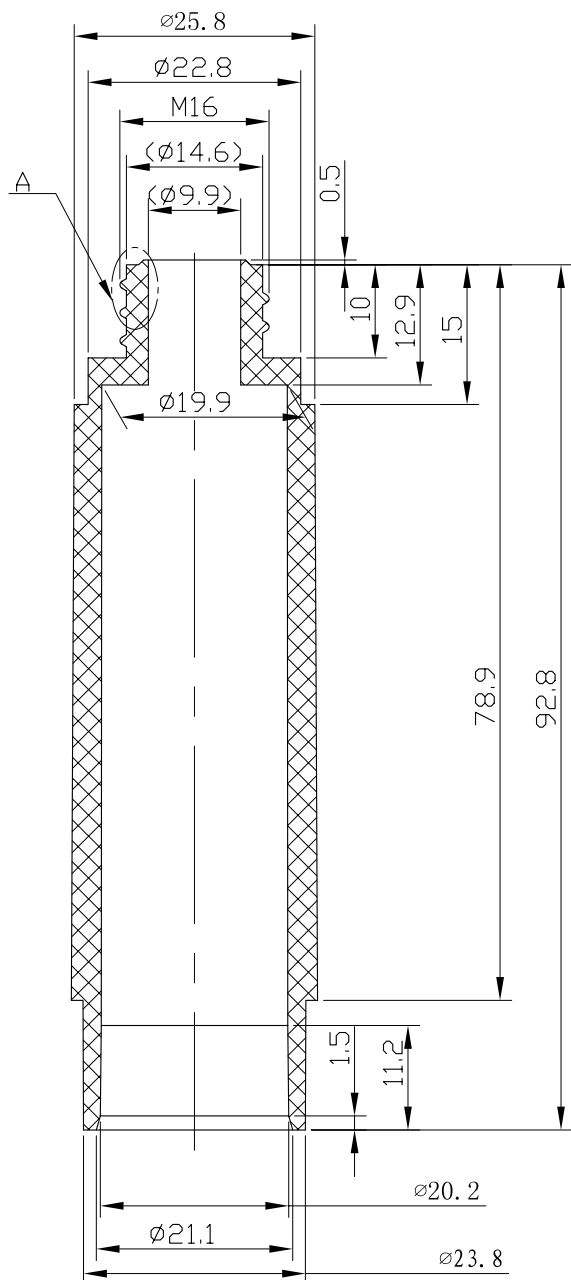
20ml Vacuum bottle
-base

PA2020021-20ml

DESIGNER: Eric

CHECKED BY:

APPROVED BY:



Data:
single thread
P=3.0
right-hand thread

Mark	Modifications	Modifier	Date



0 ≥ 10 ± 0.15
10 ≥ 40 ± 0.20
40 ≥ 90 ± 0.3
90 ≥ 200 ± 0.5
Angular ± 0.5°

MAT' L: **AS**

SCALE:

PROG:

PRODUCT:

20ml Vacuum bottle
-bottle

DRW. NO:

PA2020021-20ml

PART WEIGHT:

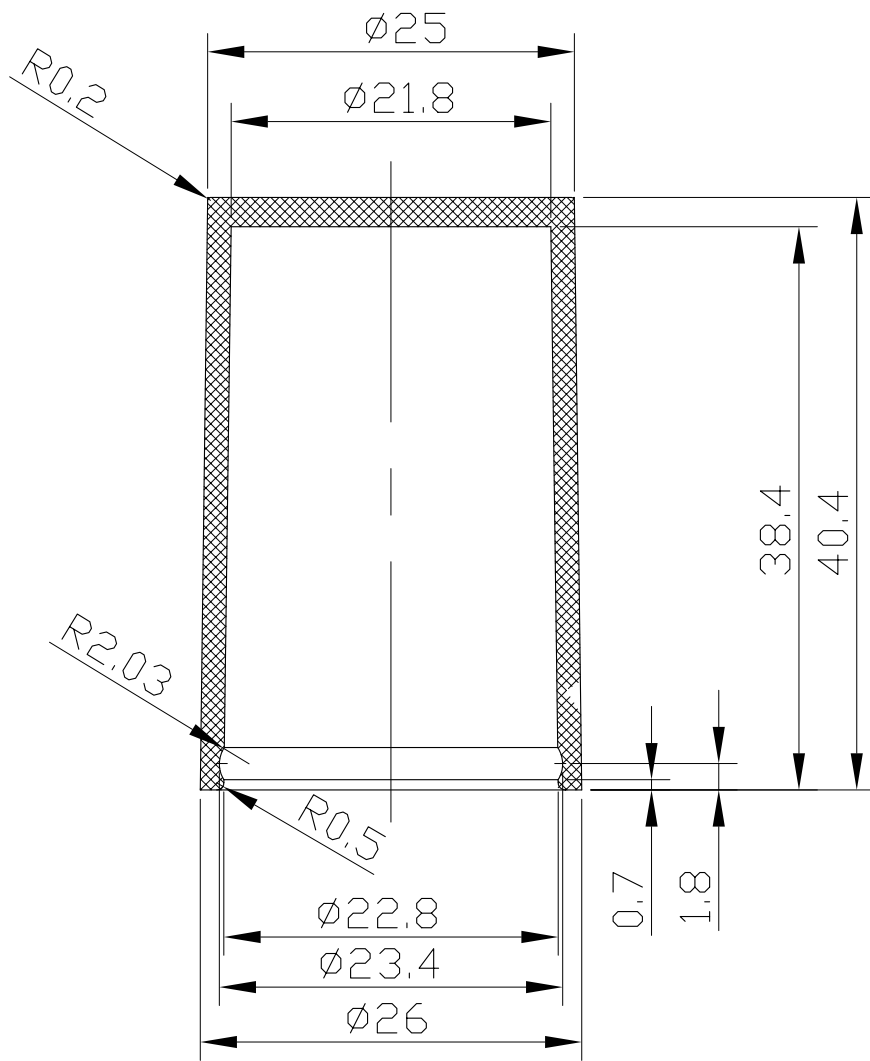
DESIGNER: Eric

DATE: 2009/11/12

CHECKED BY:

PAGE:

APPROVED BY:



Mark	Modifications	Modifier	Date



$0 \geq 10 \rightarrow \pm 0.15$
 $10 \geq 40 \rightarrow \pm 0.20$
 $40 \geq 90 \rightarrow \pm 0.3$
 $90 \geq 200 \rightarrow \pm 0.5$
 Angular $\rightarrow \pm 0.5^\circ$

MAT' L: **AS**

SCALE:

PROG:

PRODUCT:

DRW. NO:

PART WEIGHT:

DATE: 2009/11/12

PAGE:

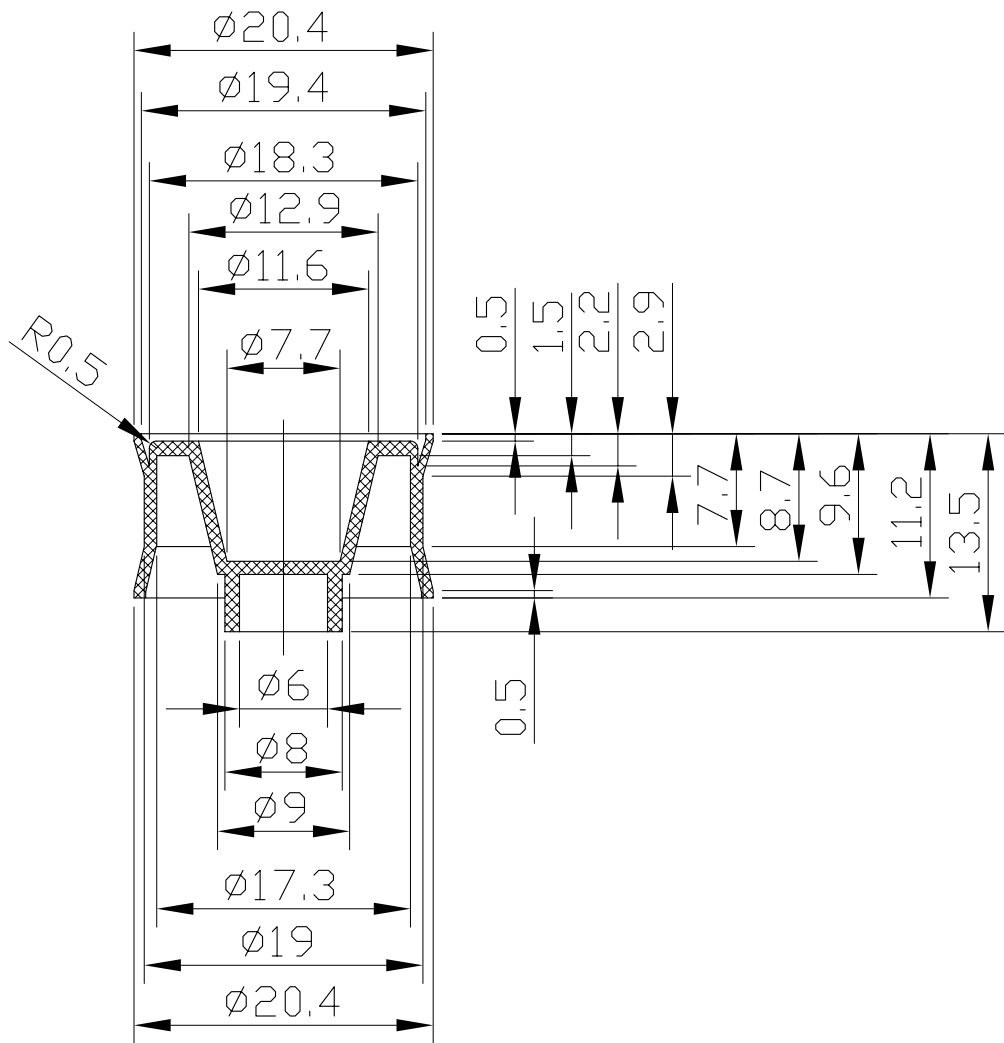
20ml Vacuum bottle
-cap

PA2020021-20ml

DESIGNER: Eric

CHECKED BY:

APPROVED BY:



Mark	Modifications	Modifier	Date



$0 \geq 10 \pm 0.15$
 $10 \geq 40 \pm 0.20$
 $40 \geq 90 \pm 0.3$
 $90 \geq 200 \pm 0.5$
 Angular $\pm 0.5^\circ$

MAT' L: **PE**

SCALE:

PROG: PROG:

PRODUCT:

20ml Vacuum bottle
-piston

DRW. NO:

PA2020021-20ml

PART WEIGHT:

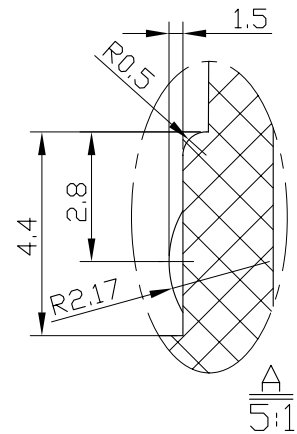
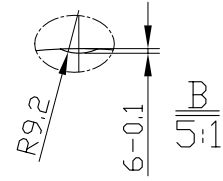
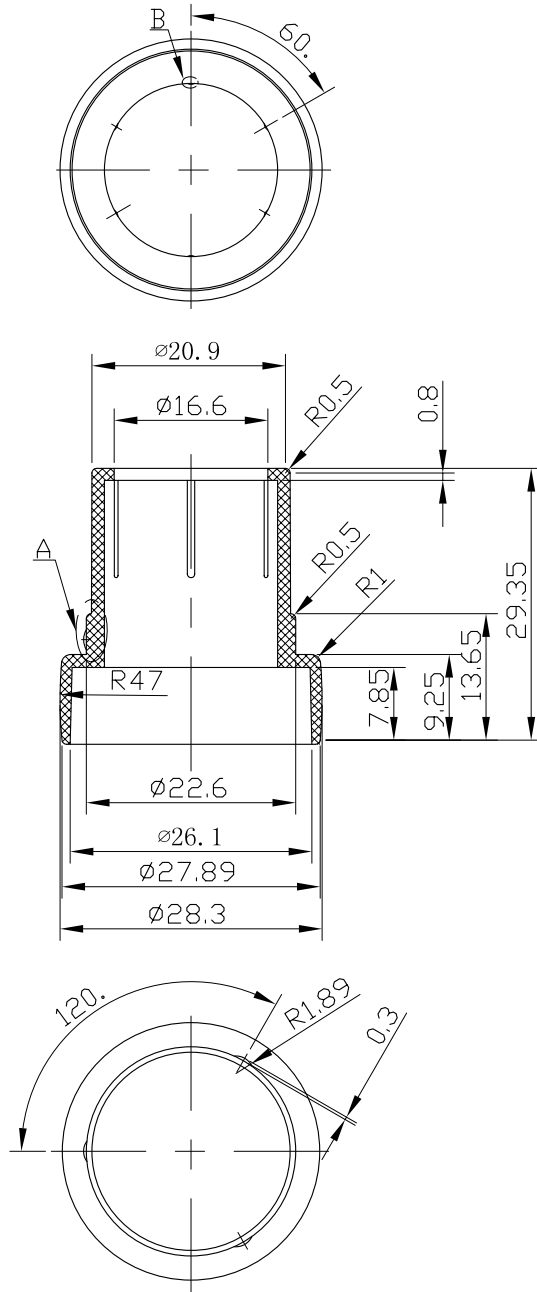
DESIGNER: Eric

DATE: 2009/11/12

CHECKED BY:

PAGE:

APPROVED BY:



Mark	Modifications	Modifier	Date



Element packaging

0 ≥ 10 - ± 0.15
 10 ≥ 40 - ± 0.20
 40 ≥ 90 - ± 0.3
 90 ≥ 200 - ± 0.5
 Angular - ± 0.5°

MAT' L: **ABS**

SCALE:

PROG:

PRODUCT: 20ml Vacuum bottle -shoulder

DRW. NO: PA2020021-20ml

PART WEIGHT: DESIGNER: Eric

DATE: 2009/11/12 CHECKED BY:

PAGE: APPROVED BY: