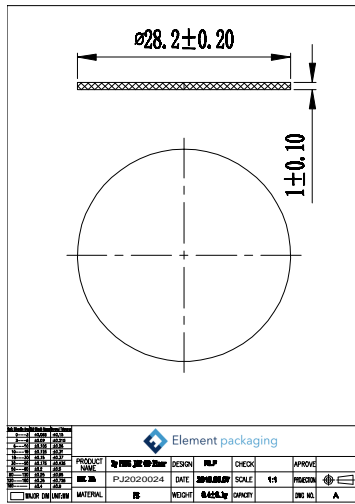
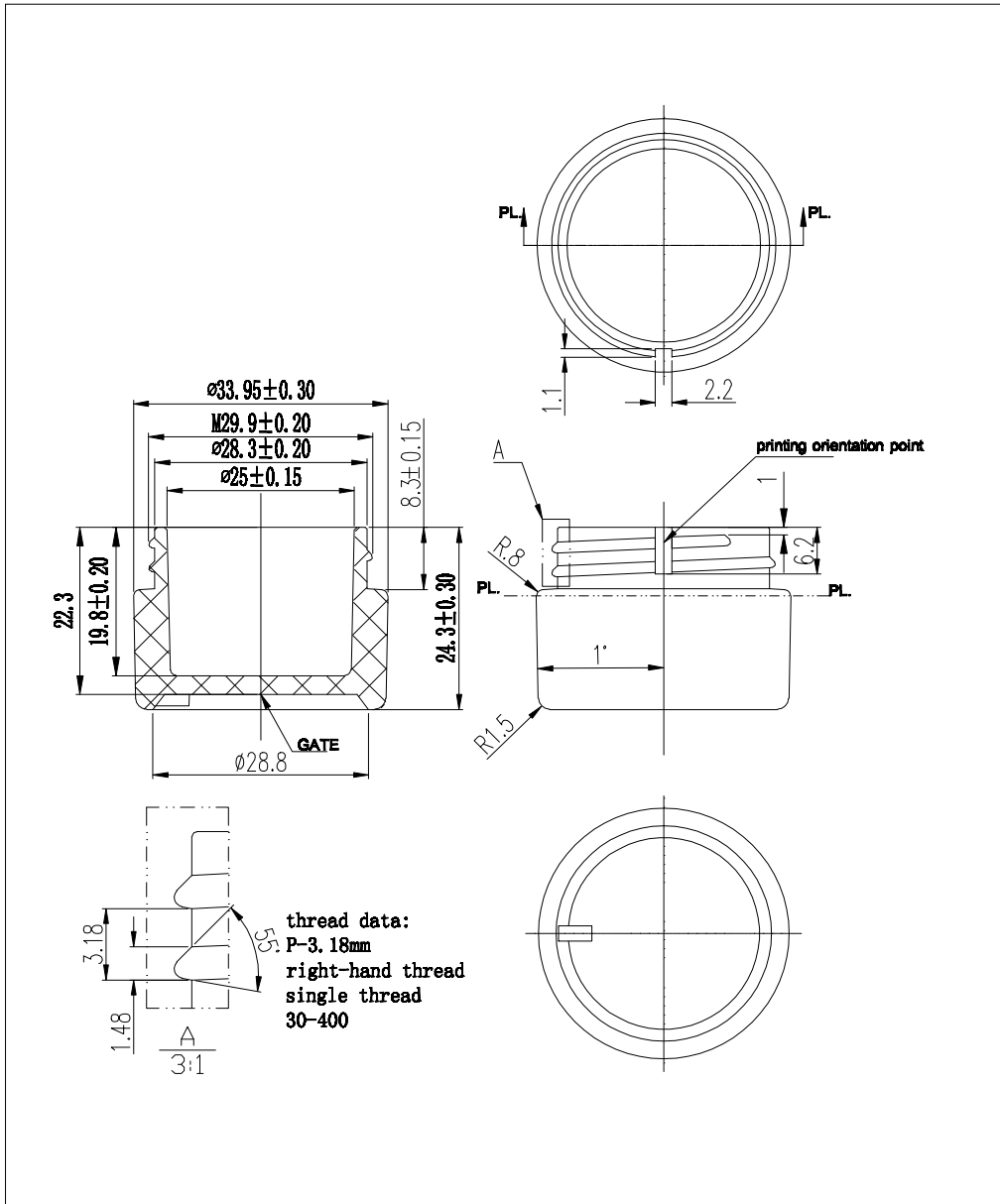


thread data:
 P-3.18mm
 right-hand thread
 single thread
 30-400

Size	Standard Area	Max. Standard Volume	General Tolerance
0---3	± 0.065	± 0.15	
3---6	± 0.09	± 0.215	
6---10	± 0.105	± 0.26	
10---18	± 0.125	± 0.31	
18---30	± 0.15	± 0.37	
30---50	± 0.175	± 0.435	
50---80	± 0.2	± 0.5	
80---120	± 0.25	± 0.65	
120---180	± 0.35	± 0.725	
180------	± 0.4	± 0.9	

		PRODUCT NAME	7g PETG JAR 60-cap	DESIGN	RUF	CHECK		APPROVE	
		DEL. NO.	PJ2020024	DATE	2018.06.07	SCALE	1:1	PROJECTION	
MAJOR DIM	UNIT:MM	MATERIAL	ABS	WEIGHT	3.3 \pm 0.2g	CAPACITY		DWG. NO.	A



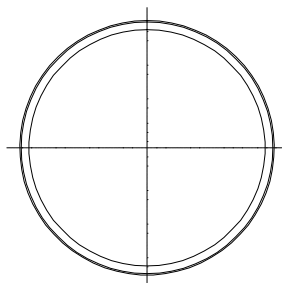
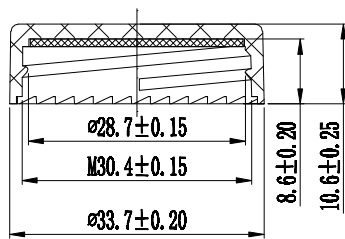


Basic Dimension Area	Major Dimension	General Tolerance
0---3	±0.065	±0.15
3---6	±0.09	±0.215
6---10	±0.105	±0.26
10---18	±0.125	±0.31
18---30	±0.15	±0.37
30---50	±0.175	±0.435
50---80	±0.2	±0.5
80---120	±0.25	±0.65
120---180	±0.35	±0.725
180-----	±0.4	±0.9

MAJOR DIM UNIT:MM




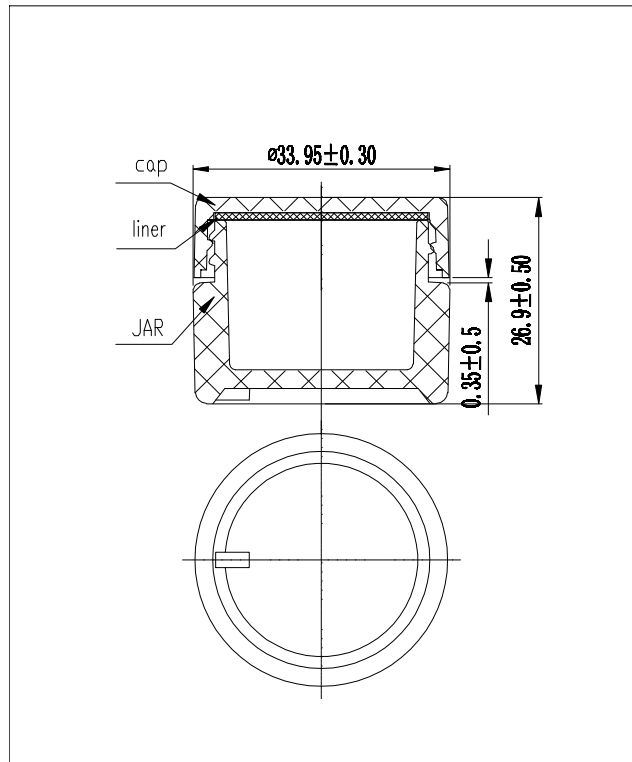
PRODUCT NAME	7g PETG JAR GO-JAR	DESIGN	RLF	CHECK		APROVE	
DRW. NO:	PJ2020024	DATE	2018.06.07	SCALE	1:1	PROJECTION	
MATERIAL	PETG	WEIGHT	11.2±0.3g	CAPACITY		DWC NO.	A



Ø	Symbol	Value	Unit
1	±	0.005	mm
2	±	0.008	mm
3	±	0.015	mm
4	±	0.020	mm
5	±	0.025	mm
6	±	0.030	mm
7	±	0.035	mm
8	±	0.040	mm
9	±	0.045	mm
10	±	0.050	mm
11	±	0.055	mm
12	±	0.060	mm
13	±	0.065	mm
14	±	0.070	mm
15	±	0.075	mm
16	±	0.080	mm
17	±	0.085	mm
18	±	0.090	mm
19	±	0.095	mm
20	±	0.100	mm
21	±	0.105	mm
22	±	0.110	mm
23	±	0.115	mm
24	±	0.120	mm
25	±	0.125	mm
26	±	0.130	mm
27	±	0.135	mm
28	±	0.140	mm
29	±	0.145	mm
30	±	0.150	mm

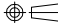
 Element packaging

PRODUCT NAME	DESIGN	CHECK	APPROVE
75 Pkg 300 60- ing assembly	PJF		
MATERIAL	DATE	SCALE	PROJECTION
PJ2020024	2018.08.07	1:1	
MAJOR DIM UNIT MM	WEIGHT	CAPACITY	DWG NO.
	3.12 ± 0.05 g		A



Dev	Standard	Dev	Standard	Dev	Standard	Dev	Standard
0	---3	±0.065	±0.15				
3	---6	±0.09	±0.215				
6	---10	±0.105	±0.26				
10	---18	±0.125	±0.31				
18	---30	±0.15	±0.37				
30	---50	±0.175	±0.435				
50	---80	±0.2	±0.5				
80	---120	±0.25	±0.65				
120	---180	±0.35	±0.775				
180	---	±0.5	±0.9				

 Element packaging

PRODUCT NAME	Fig. PJ20 JAR CO-assembly	DESIGN	P.L.P.	CHECK		APPROVE	
DEV. No	PJ2020024	DATE	2018.06.07	SCALE	1:1	PROJECTION	
MATERIAL		WEIGHT	15.5 ± 2g	CAPACITY		DWG. NO.	A

MAJOR DIM UNIT:MM