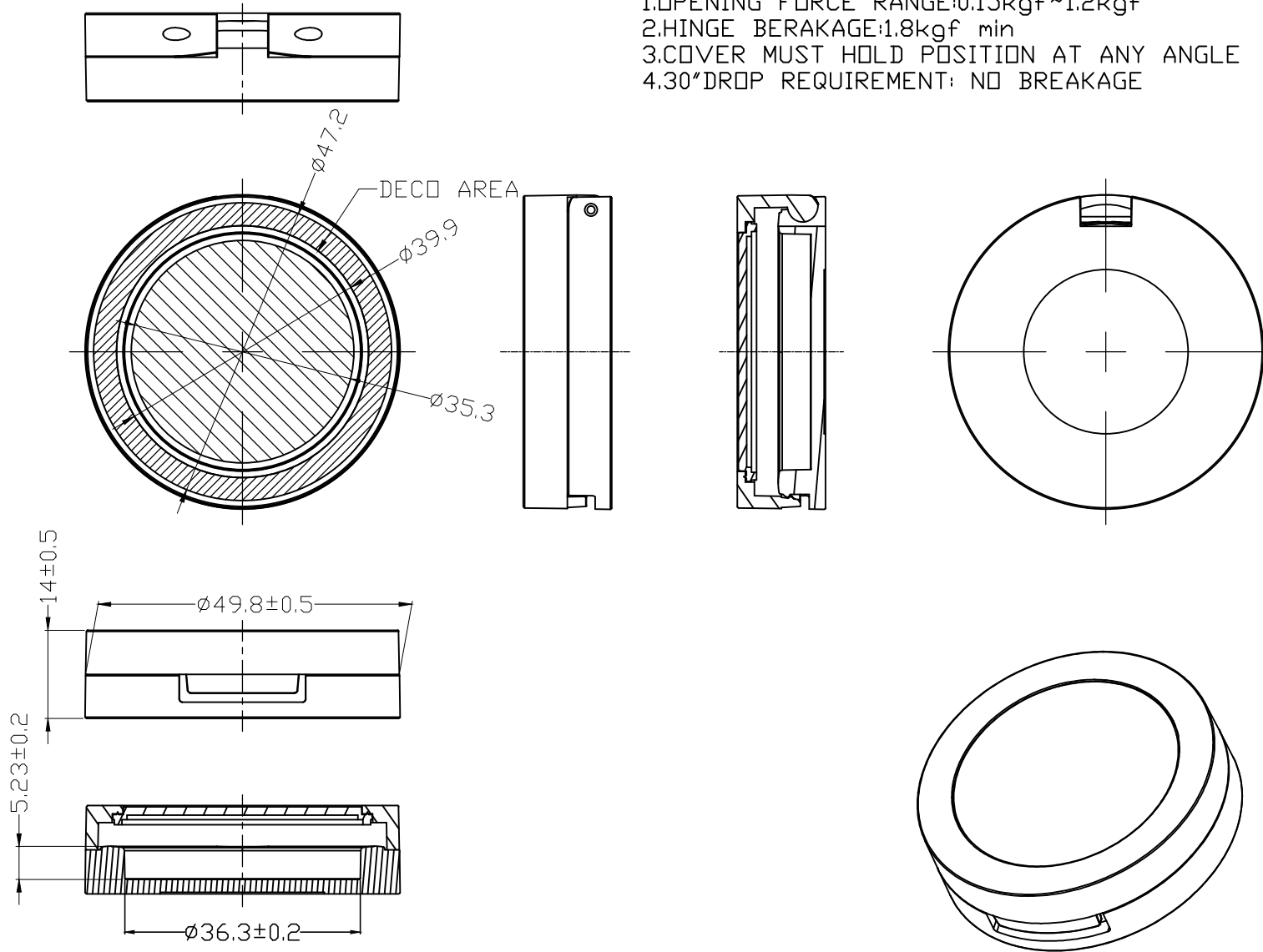



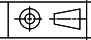
3		BASE	D17012	ABS
2		LENS	---	AS
1		COVER	---	ABS/AS
No.	Qty	Part name	Part code	Material

NOTE:

- 1.OPENING FORCE RANGE:0.15kgf~1.2kgf
- 2.HINGE BERAKAGE:1.8kgf min
- 3.COVER MUST HOLD POSITION AT ANY ANGLE
- 4.30°DROP REQUIREMENT: NO BREAKAGE



PC2020006

D4				CUSTOMER					
D3				PART	ASSEMBLY				
D2				NAME	DC004W-ASM	DESIGN	BERNIE	DATE	20170209
D1				CODE		CHECKED		APPROVED	
NO.	REVISIONS DESCRIPTION	DRAWN	DATE	SCALE	1:1		PLATE	A4	MATERIAL
*Dim. are adjustable based on functional requirement		TOL.	---	UNIT	mm[in]	DRAWING NO.	D17011	REV	00