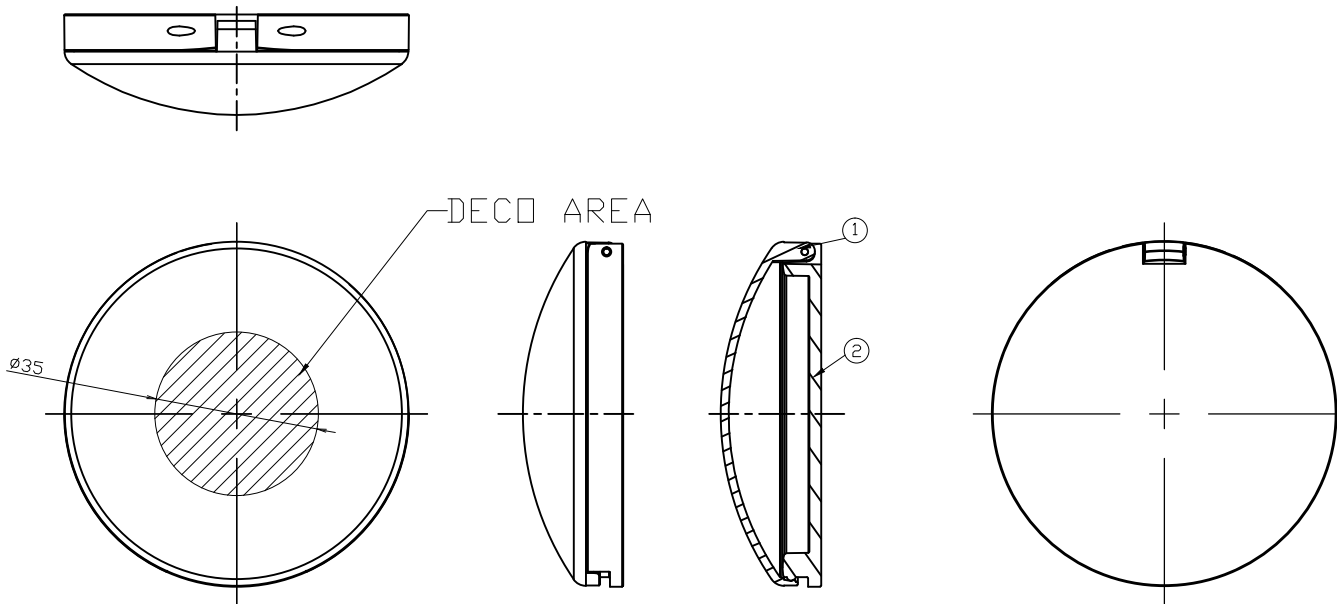
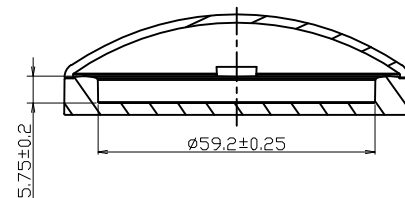
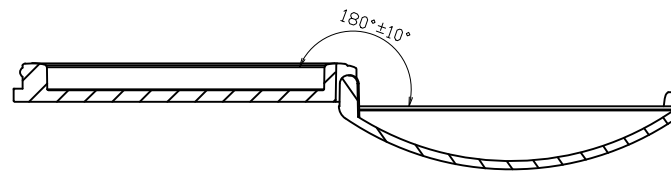
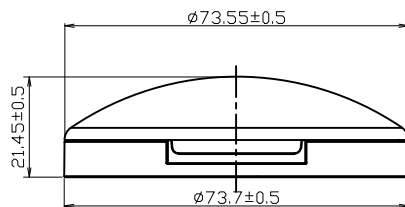


2	BASE	D16173	ABS	
1	COVER	D16172	AS	
No.	Qty	Part name	Part code	Material



NOTE:
 1.OPENING FORCE RANGE:0.2kgf~1.2kgf
 2.HINGE BERAKAGE:1.8kgf min
 3.COVER MUST HOLD POSITION AT ANY ANGLE
 4.30°DRDP REQUIREMENT: NO BREAKAGE



PC2020007

D4				CUSTOMER					
D3				PART	ASM				
D2				NAME	DC006D-ASM	DESIGN	BERNIE	DATE	20170106
D1				CODE		CHECKED		APPROVED	
NO.	REVISIONS DESCRIPTION	DRAWN	DATE	SCALE	1:1	PLATE	A3	MATERIAL	
*Dim. are adjustable based on functional requirement		TOL.	---	UNIT	mm[In]	DRAWING NO.	D16175	REV	00