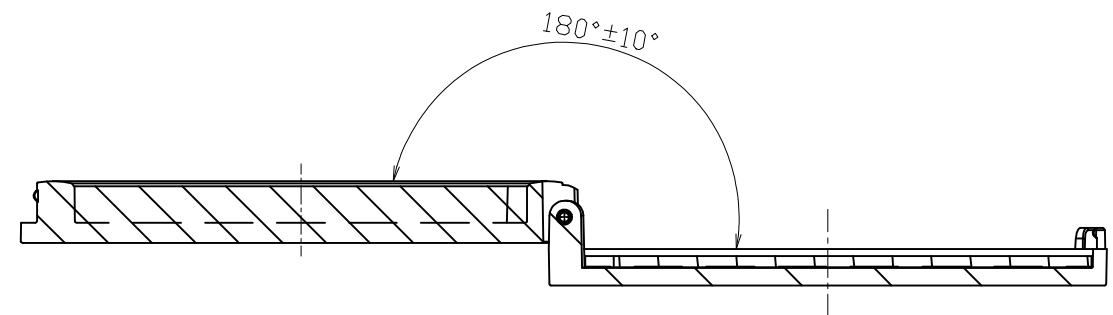
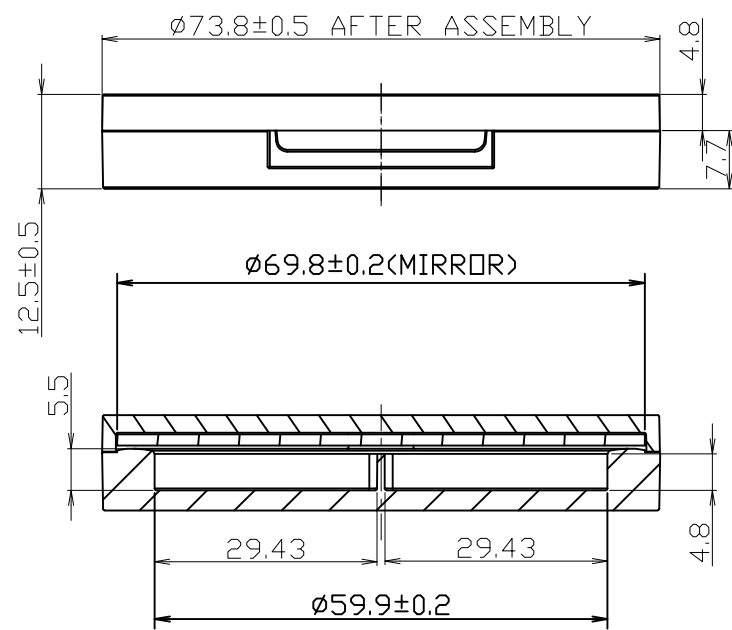
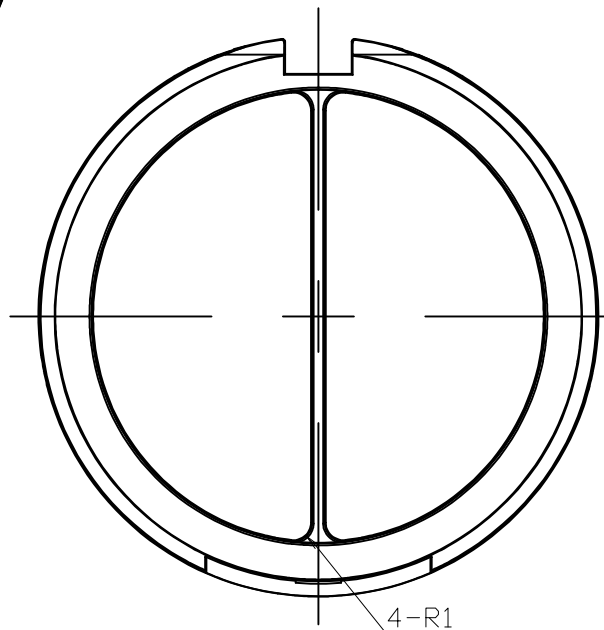
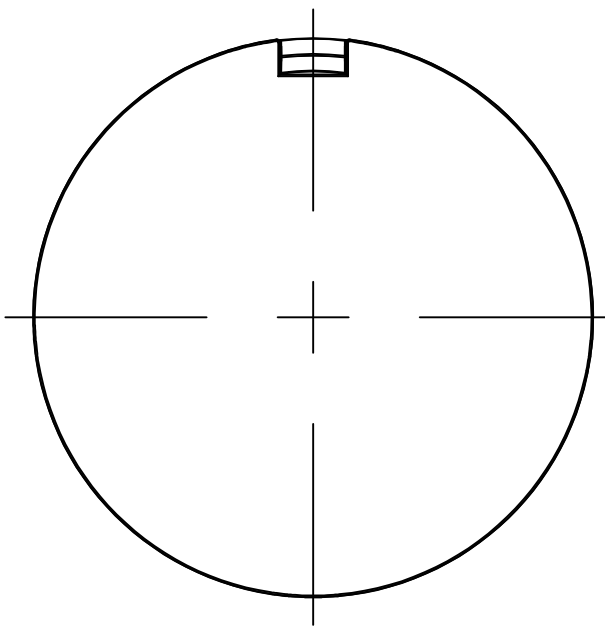
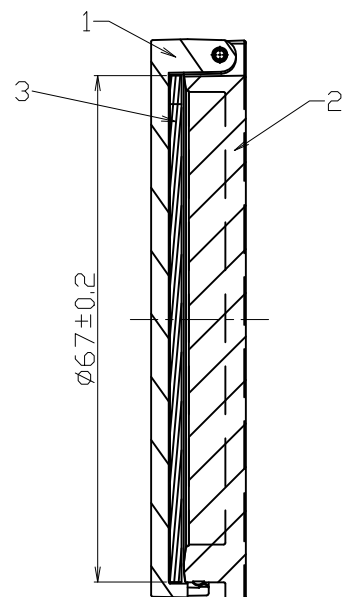
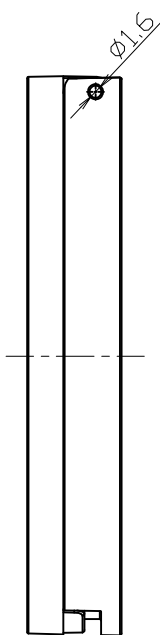
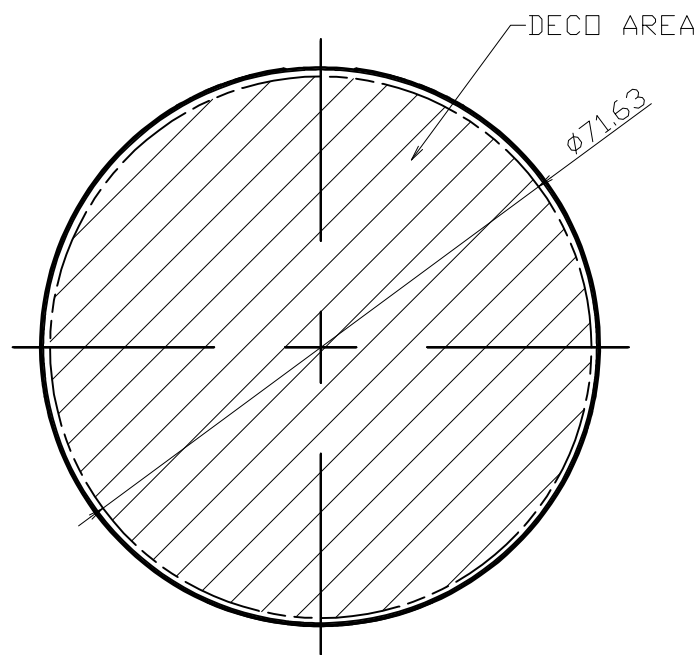
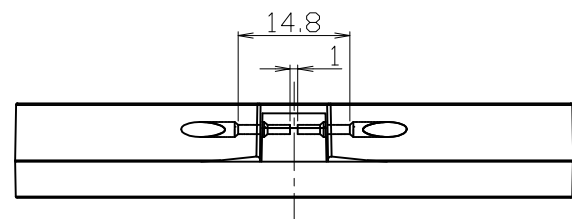


3	1	MIRROR	---	GLASS
2	1	BASE	---	ABS
1	1	COVER	---	ABS
No. Qty		Part name	Drawing No.	Material



NOTE:
 1.OPENING FORCE RANGE:0.2kgf~1.2kgf
 2.HINGE BERAKAGE:1.8kgf min
 3.30°DROP REQUIREMENT: NO BREAKAGE

4				CUSTOMER					
3				PART	ASSEMBLY (FLAT COVER)				
2				NAME	CREAM COMPACT-59.7mm	DESIGN	Leo	DATE	2013/8/23
1				CODE	PC2020009	CHECKED		APPROVED	
NO.	REVISIONS DESCRIPTION	DRAWN	DATE	SCALE	1: 1	PLATE	A3	MATERIAL	---
	*Dim. are adjustable based on functional requirement	TOL.	±0.1MM	UNIT	mm [in]	DRAWING NO.	D13079	REV	00