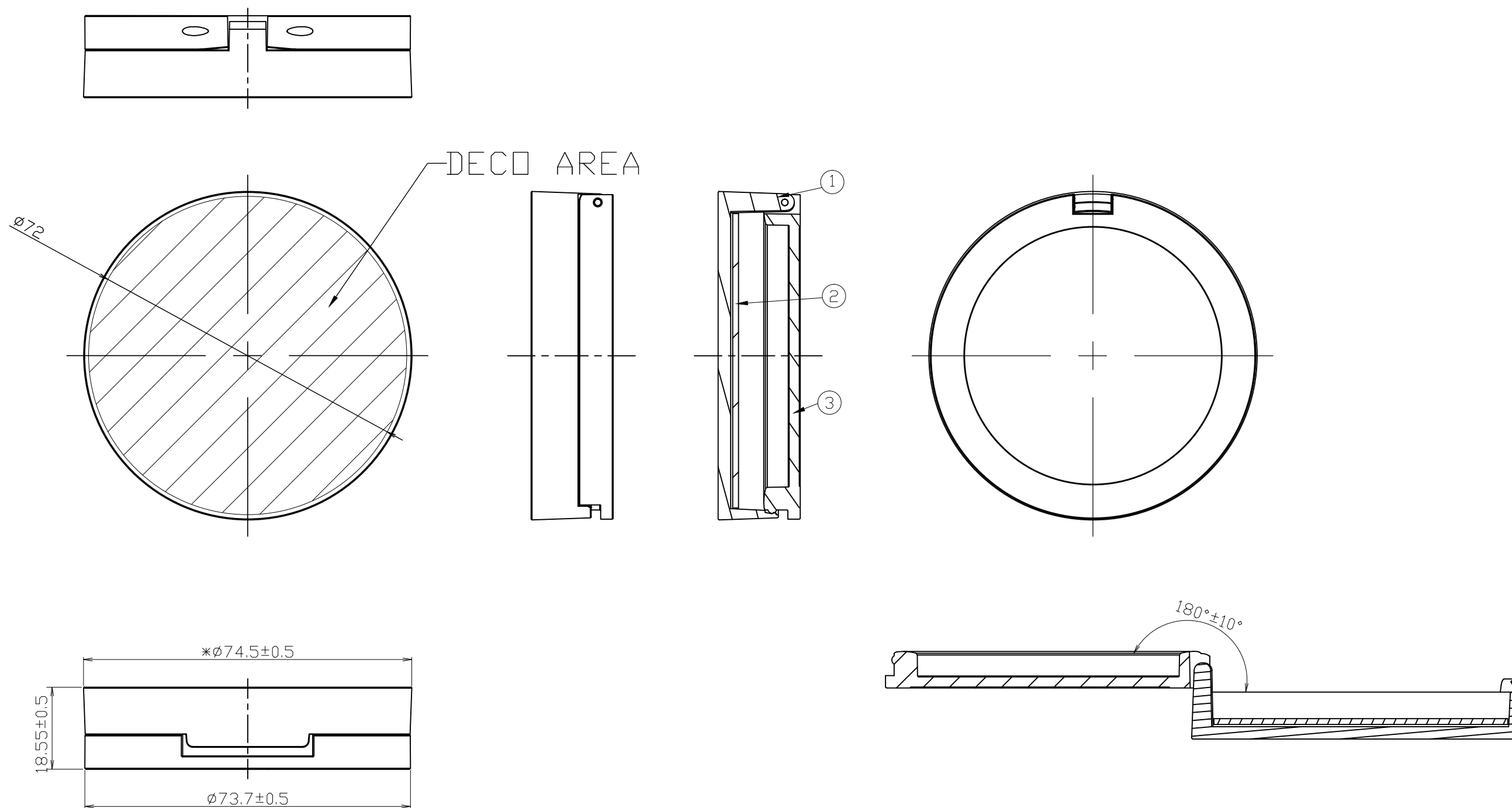



3		BASE	D16173	ABS
2		MIRROR	D16174	GLASS
1		COVER	D16172	ABS/MABS
No.	Qty	Part name	Part code	Material

NOTE:
 1.OPENING FORCE RANGE:0.2kgf~1.2kgf
 2.HINGE BERAKAGE:1.8kgf min
 3.COVER MUST HOLD POSITION AT ANY ANGLE
 4.30°DROP REQUIREMENT: NO BREAKAGE



D4				CUSTOMER	-				
D3				PART	ASM				
D2				NAME	DC006H-ASM	DESIGN	BERNIE	DATE	20170106
D1				CODE	PC2020011	CHECKED		APPROVED	
NO.	REVISIONS DESCRIPTION	DRAWN	DATE	SCALE	1:1	PLATE	A3	MATERIAL	
*Dim. are adjustable based on functional requirement		TOL.	---	UNIT	mm[in]	DRAWING NO.	D16171	REV	00