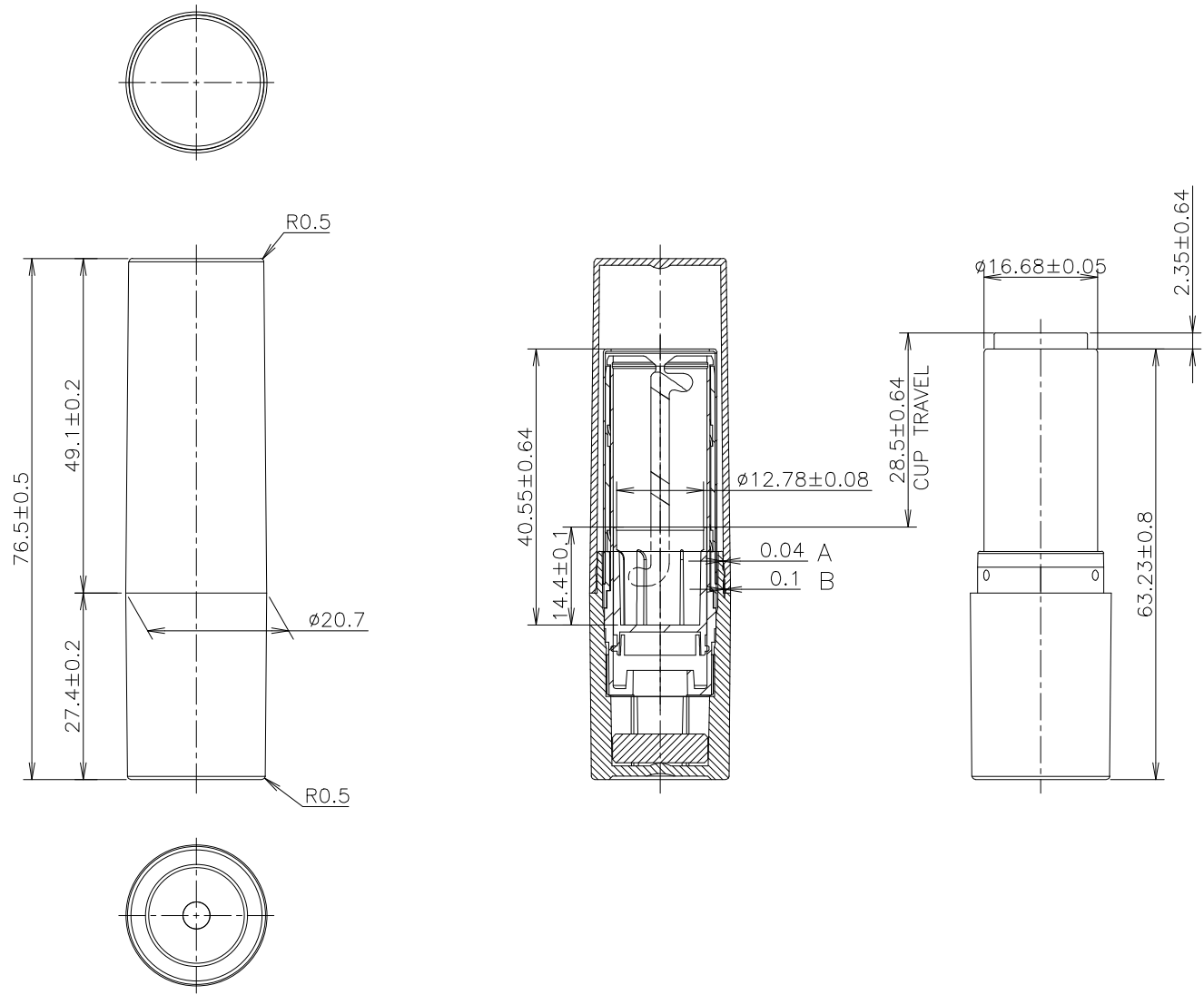

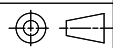


No.	NAME	Material	Drawing No.
1	CAP	ABS	D17169
2	BASE	ABS	D17170
3	WEIGHT	METAL	D18065
4	MECHANISM	---	D17176



4				CUSTOMER						
3				PART	ASSEMBLY					
2				NAME	LIPSTICK	DESIGN	YZH	DATE	2018-07-23	
1				CODE	PL2020001	CHECKED		APPROVED		
NO.	REVISIONS DESCRIPTION	DRAWN	DATE	SCALE	1:1		PLATE	A4	MATERIAL	---
*Dim. are adjustable based on functional requirement		TOL.	$\pm 0.1\text{mm}$	UNIT	mm [in]	DRAWING NO.	D18062-M	REV	00	