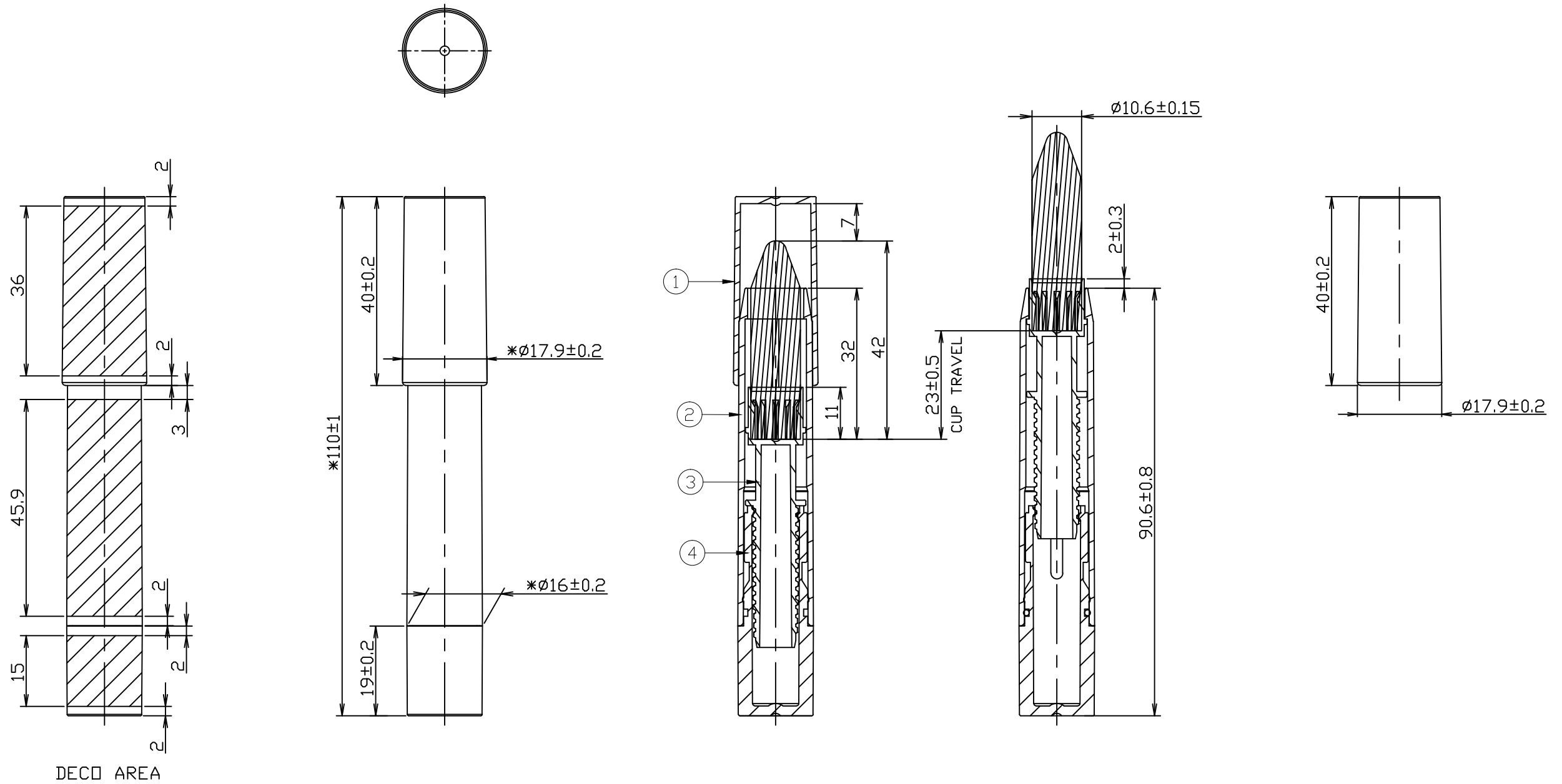

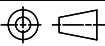


No.	NAME	Material	Drawing No.
1	CAP	ABS	D14013
2	BODY	ABS	D14014
3	CUP	POK	D14015
4	BASE	ABS	D12012



4				CUSTOMER						
3				PART	ASSEMBLY					
2				NAME	PEN	DESIGN	SYH	DATE	2017/12/4	
1				CODE	PP2020008	CHECKED		APPROVED		
NO.	REVISIONS DESCRIPTION	DRAWN	DATE	SCALE	1: 1		PLATE	A3	MATERIAL	---
	*Dim. are adjustable based on functional requirement	TOL.	±0.1mm	UNIT	mm [in]	DRAWING NO.	D17160	REV	00	