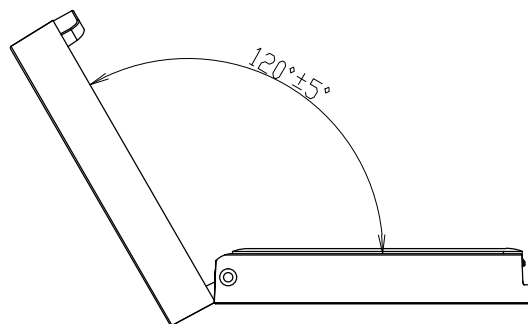
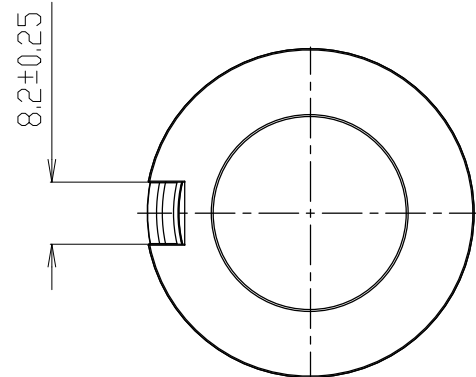
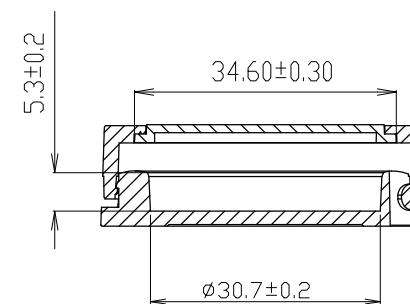
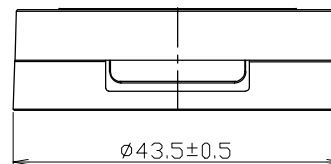
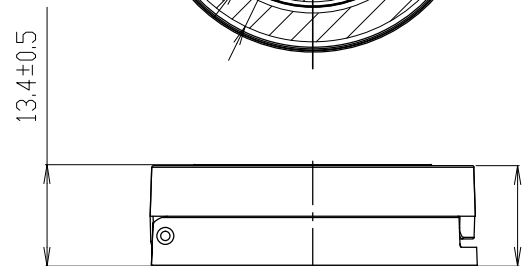
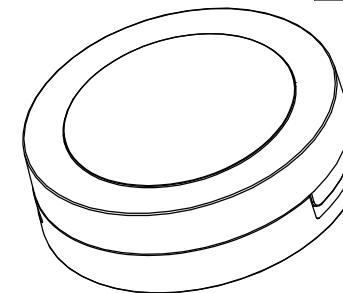
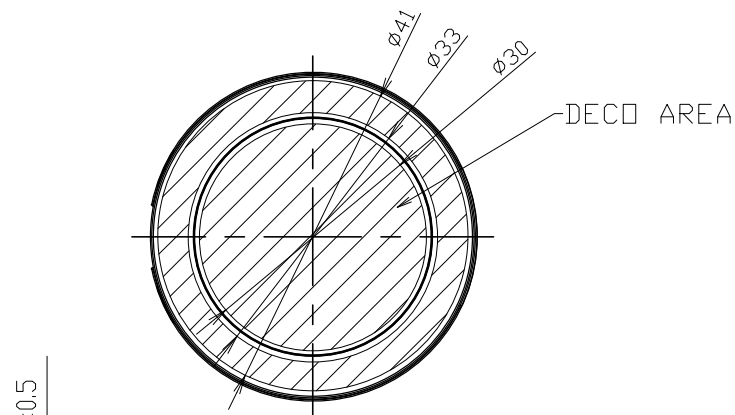

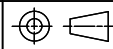


3		LENS	D16110	AS
2		BASE	D12059	ABS
1		COVER	D12058	ABS
No.	Qty	Part name	Part code	Material



NOTE:
 1.OPENING FORCE RANGE:0.2kgf~1kgf
 2.HINGE BERAKAGE:2.5kgf min
 3.30"DROP REQUIREMENT: NO BREAKAGE

4				CUSTOMER						
3				PART						ASSEMBLY
2				NAME	PC2020015	DESIGN	DXS	DATE	2012/11/30	
1				CODE		CHECKED		APPROVED		
NO.	REVISIONS	DESCRIPTION	DRAWN	DATE	SCALE	1: 1		PLATE	A4	MATERIAL
*Dim. are adjustable based on functional requirement			TOL.	---	UNIT	mm [in]	DRAWING NO.	D12059	REV	00