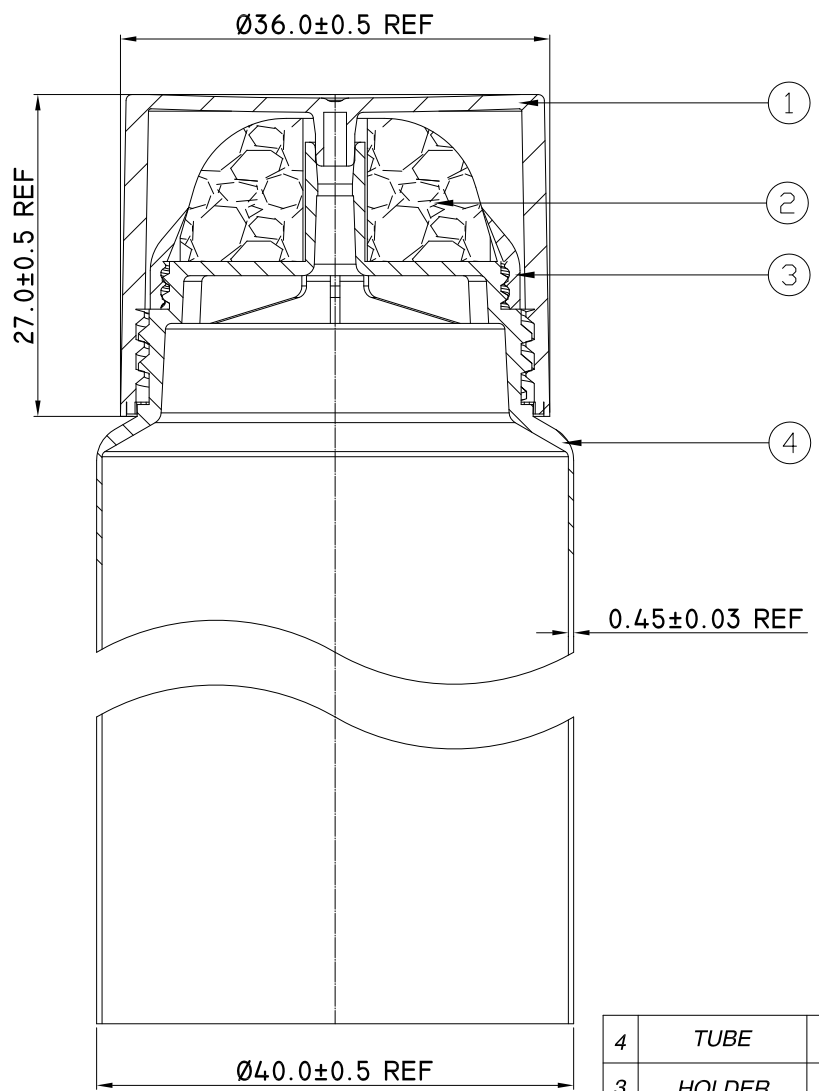
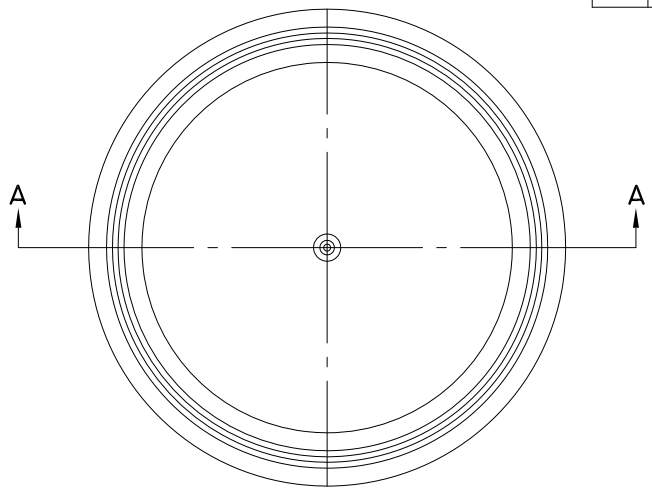


ITEM	DESCRIPTION OF REVISION	REVISED BY	DATE
1			



SECTION A-A

4	TUBE	D40-M36	PE
3	HOLDER	CJ044	PP
2	APPLICATOR	SN017	CONCRETE FOAM
1	CAP	D40-T216UD	PP
No	PARTS	PART CODE	MATERIALS

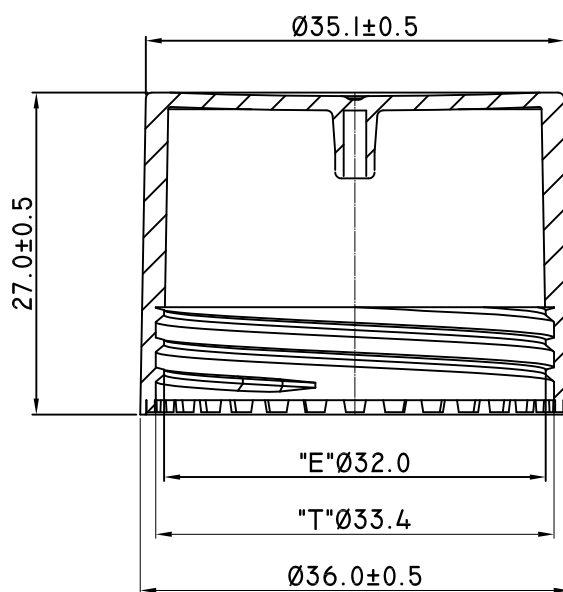
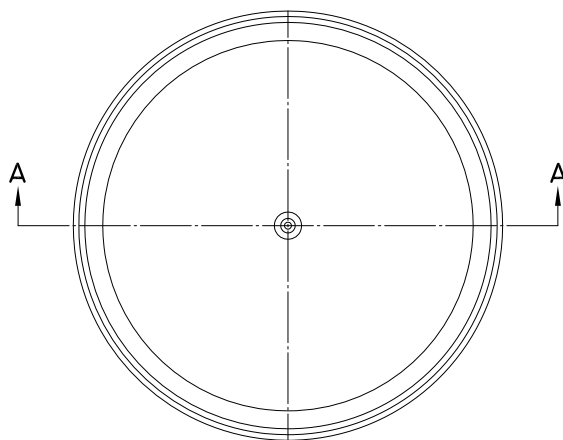
PROPRIETARY AND CONFIDENTIAL

THE INFORMATION CONTAINED IN THIS DRAWING IS THE SOLE PROPERTY OF UDN INTERNATIONAL INC. ANY REPRODUCTION IN PART OR AS A WHOLE WITHOUT THE WRITTEN PERMISSION OF UDN INTERNATIONAL INC. IS PROHIBITED.

Designed	QMX	Date	2020/05/11	Drawing Name:	PT2020020		
Checked	BECK	Date	2020/05/11	Product Name	ASSEMBLY		
Approved		Date		Drawing/File No.			
GENERAL TOLERANCES				Scale	1.5 : 1	Material	SEE BOM
X.X ±0.2				Unit	mm	View	
X.XX ±0.15				Don't Scale Drawing			
ANGULAR X.X ±0.5°							



ITEM	DESCRIPTION OF REVISION	REVISED BY	DATE
⚠			

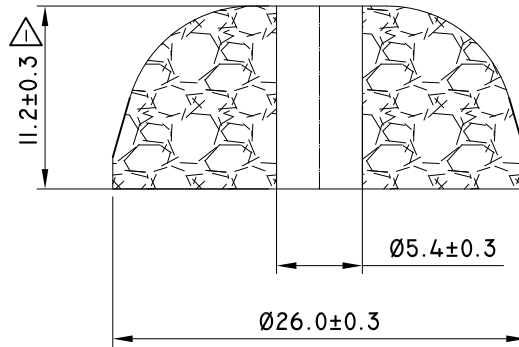
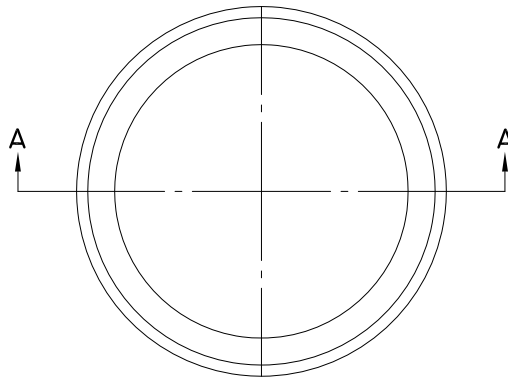




SECTION A-A

<p>PROPRIETARY AND CONFIDENTIAL</p> <p>THE INFORMATION CONTAINED IN THIS DRAWING IS THE SOLE PROPERTY OF UDN INTERNATIONAL INC. ANY REPRODUCTION IN PART OR AS A WHOLE WITHOUT THE WRITTEN PERMISSION OF UDN INTERNATIONAL INC. IS PROHIBITED.</p>	Designed	Date	Drawing Name:		PT2020020	
	HSB	2019/03/25	Product Name		CAP	
	Checked	Date	Drawing/File No.			
	BECK	2019/03/25	Scale	1.5 : 1	Material	PP
	Approved	Date	Unit	mm	View	
GENERAL TOLERANCES		Don't Scale Drawing				
X.X ±0.2						
X.XX ±0.15						
ANGULAR X.X ±0.5°						

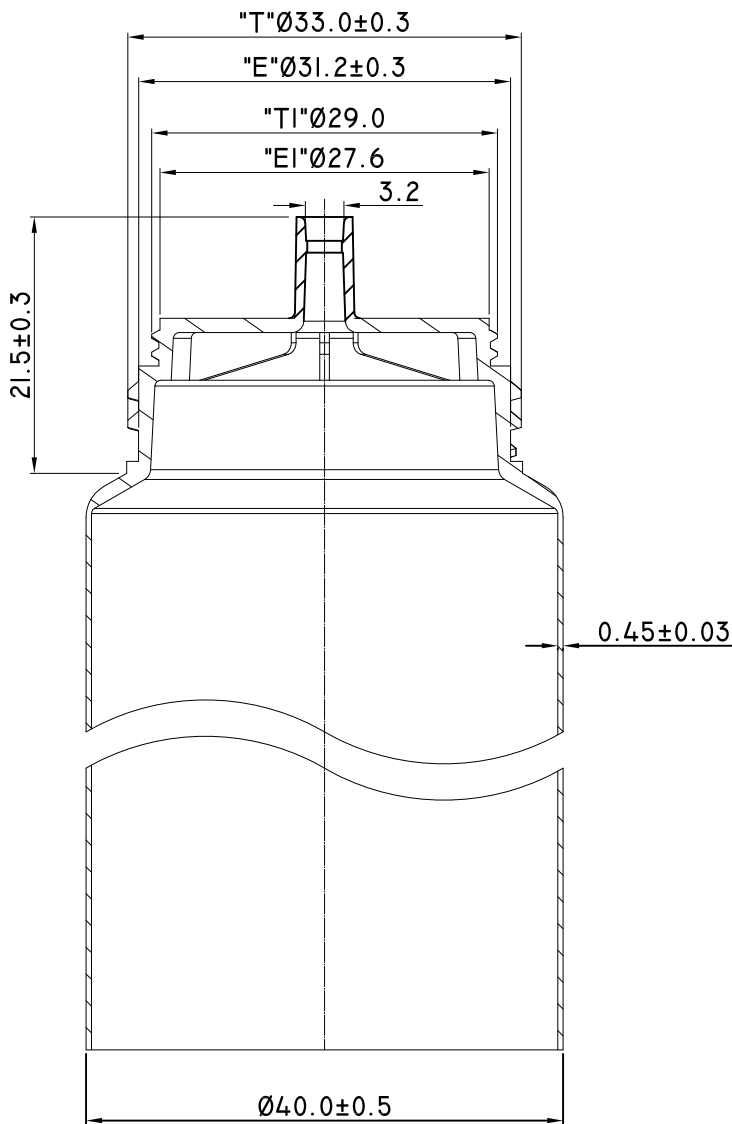
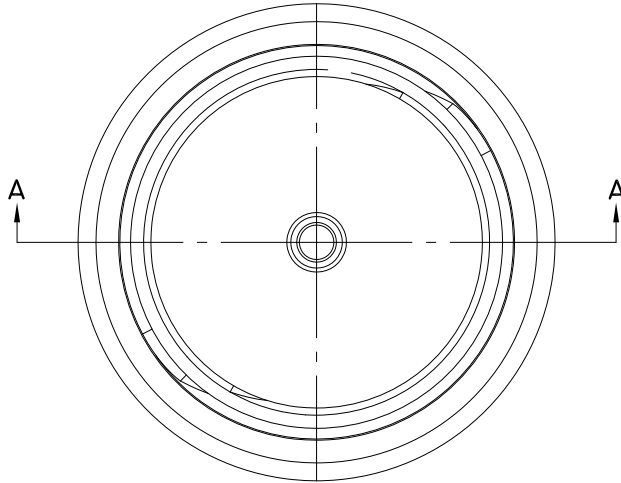


ITEM	DESCRIPTION OF REVISION	REVISED BY	DATE
△	尺寸变更	QMX	2019/12/6



<p>PROPRIETARY AND CONFIDENTIAL</p> <p>THE INFORMATION CONTAINED IN THIS DRAWING IS THE SOLE PROPERTY OF UDN INTERNATIONAL INC. ANY REPRODUCTION IN PART OR AS A WHOLE WITHOUT THE WRITTEN PERMISSION OF UDN INTERNATIONAL INC. IS PROHIBITED.</p>	Designed QMX	Date 2019/12/06	Drawing Name: PT2020020				
	Checked BECK	Date 2019/12/06	Product Name APPLICATOR				
	Approved	Date	Drawing/File No.				
	GENERAL TOLERANCES		Scale	2 : 1		Material	PUMICE STONE
	X.X ±0.2 X.XX ±0.15 ANGULAR X.X ±0.5°		Unit	mm		View	
Don't Scale Drawing							

ITEM	DESCRIPTION OF REVISION	REVISED BY	DATE
⚠			



SECTION A-A

<p>PROPRIETARY AND CONFIDENTIAL</p> <p>THE INFORMATION CONTAINED IN THIS DRAWING IS THE SOLE PROPERTY OF UDN INTERNATIONAL INC. ANY REPRODUCTION IN PART OR AS A WHOLE WITHOUT THE WRITTEN PERMISSION OF UDN INTERNATIONAL INC. IS PROHIBITED.</p>	Designed HSH	Date 2019/03/25	Drawing Name: PT2020020		
	Checked BECK	Date 2019/03/25	Product Name TUBE		
	Approved	Date	Drawing/File No.		
	GENERAL TOLERANCES		Scale	1.5 : 1	Material PE
	X.X ±0.2 X.XX ±0.15 ANGULAR X.X ±0.5°		Unit	mm	View
Don't Scale Drawing					

