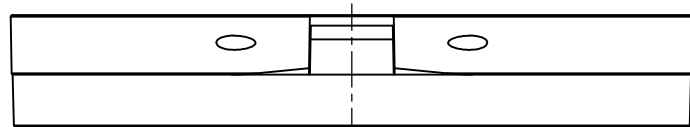
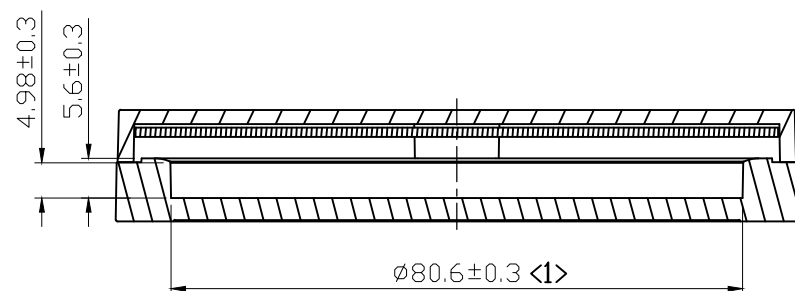
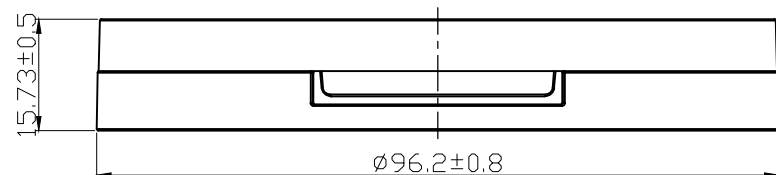
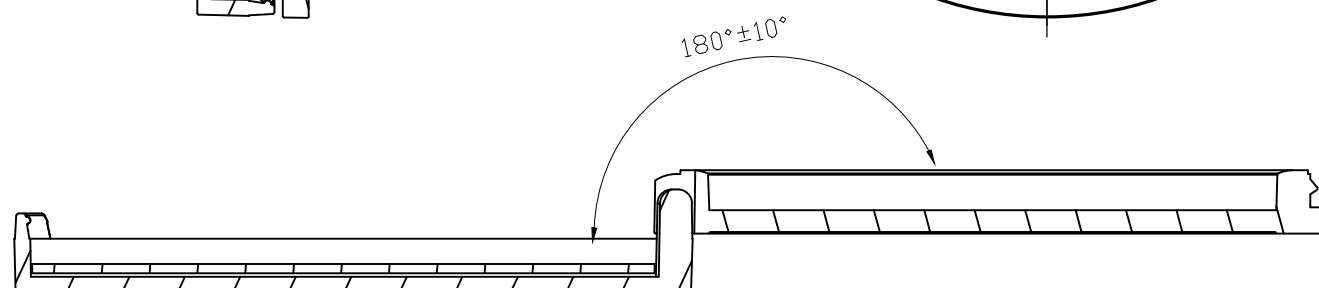
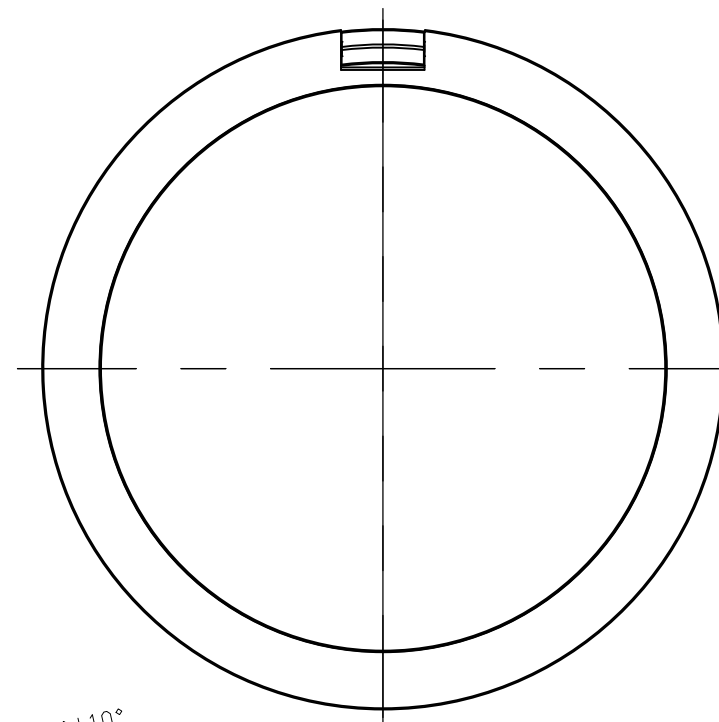
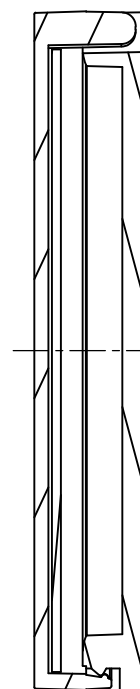
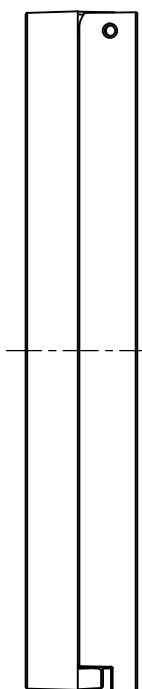
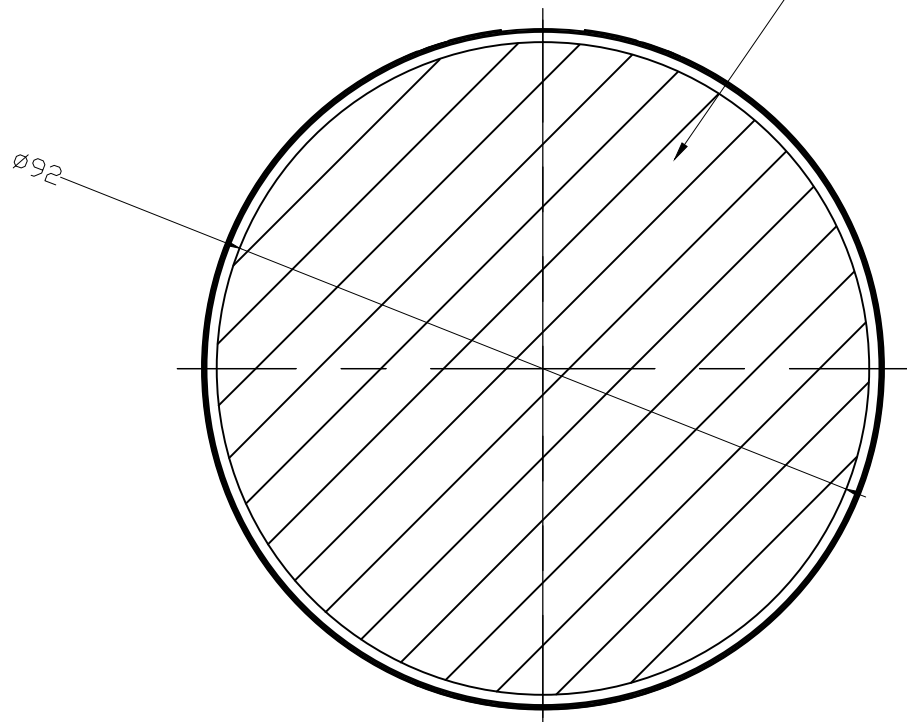



3	BASE	D16106	ABS	
2	MIRROR	D16105	GLASS	
1	COVER	D16104	ABS/AS	
No.	Qty	Part name	Part code	Material

NOTE:
 1.OPENING FORCE RANGE:0.2kgf~1.2kgf
 2.HINGE BERAKAGE:1.8kgf min
 3.STOPPING AT ANY ANGLE
 4.30°DROP REQUIREMENT: NO BREAKAGE
 5.HOLLOW PIN 1.6*12 FOR INJECTION VERSION
 HOLLOW PIN 1.58*12 FOR SPRAYING & METALIZATION VERSION



DECO AREA



D4				CUSTOMER					
D3				PART	ASM				
D2				NAME	PC2020022	DESIGN	BERNIE	DATE	20161121
D1	∅80±0.5→∅80.6±0.3;	SYH	2017/10/20	CODE	DC022F	CHECKED		APPROVED	
NO.	REVISIONS DESCRIPTION	DRAWN	DATE	SCALE	1:1	PLATE	A3	MATERIAL	
*Dim. are adjustable based on functional requirement		TOL.	---	UNIT	mm[in]	DRAWING NO.	D16103	REV	1