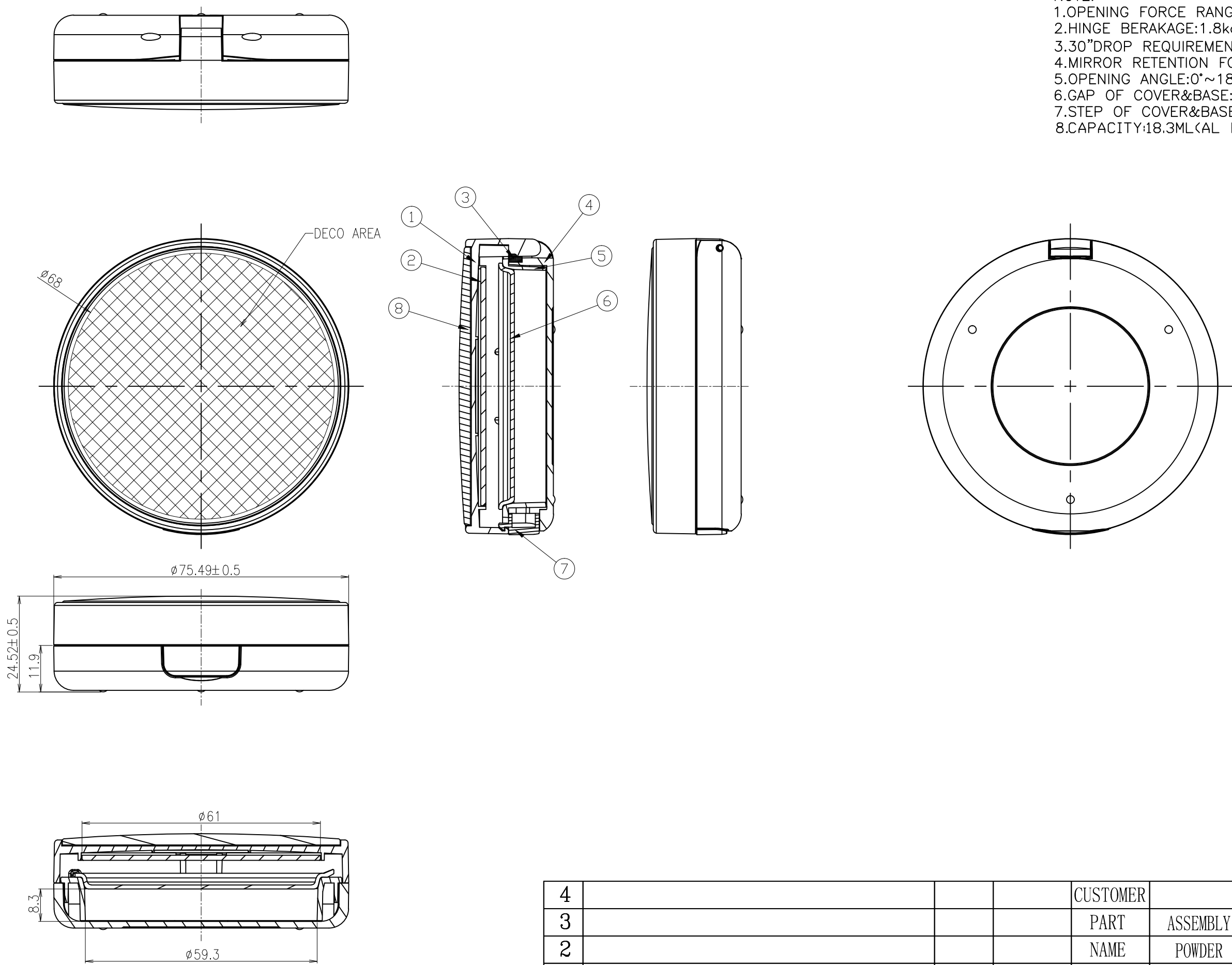


NOTE:  
 1.OPENING FORCE RANGE:0.5kgf~2.0kgf REF.  
 2.HINGE BERAKAGE:1.8kgf MIN  
 3.30"DROP REQUIREMENT: NO BREAKAGE  
 4.MIRROR RETENTION FORCE:3kgf MIN  
 5.OPENING ANGLE:0°~180°, STAY IN ANY POSITION  
 6.GAP OF COVER&BASE:0.3mm MAX  
 7.STEP OF COVER&BASE:0.3mm MAX  
 8.CAPACITY:18.3ML(AL PAN)



8	1	OUTERPLATE	D16065	AS
7	1	BUTTON	D15078	ABS
6	1	PLATE	D15075	PCTA
5	1	INSERT	D15074	ABS+AS
4	1	BASE	D15073	ABS+AS
3	1	RUBBER	D15072	SILICON
2	1	MIRROR	D15071	GLASS
1	1	COVER	D16064	ABS+AS
No.	Qty	Part name	Drawing No.	Material

4				CUSTOMER					
3				PART	ASSEMBLY				
2				NAME	POWDER	DESIGN	Bernie	DATE	2016/9/6
1				CODE	PC202026	CHECKED		APPROVED	
NO.	REVISIONS DESCRIPTION	DRAWN	DATE	SCALE	1:1	PLATE	A3	MATERIAL	---
*Dim. are adjustable based on functional requirement		TOL.	---	UNIT	mm [in]	DRAWING NO.	D16063	REV	00