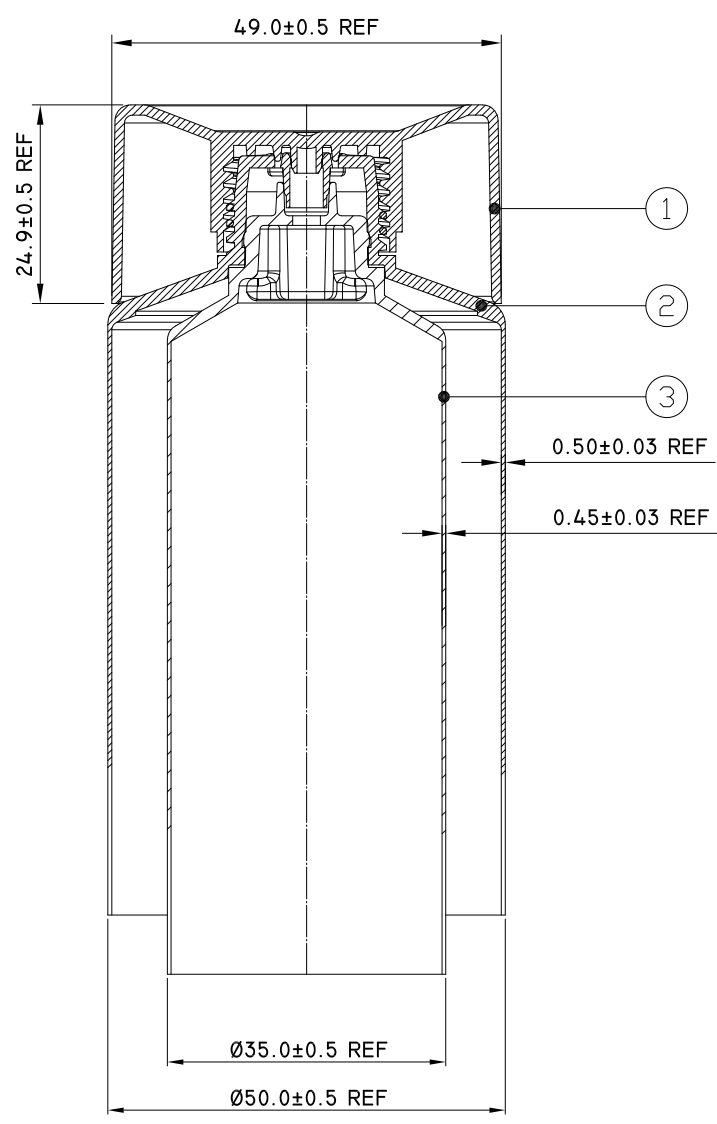
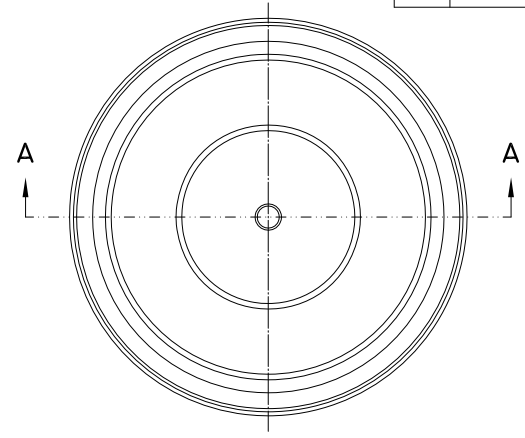


ITEM	DESCRIPTION OF REVISION	REVISED BY	DATE
①			



SECTION A-A

3	INNER TUBE	D35-NJ012	PE
2	OUTER TUBE	D50-NM232	PE
I	CAP	D50-T245UD	PP
No	PARTS	PART CODE	MATERIALS

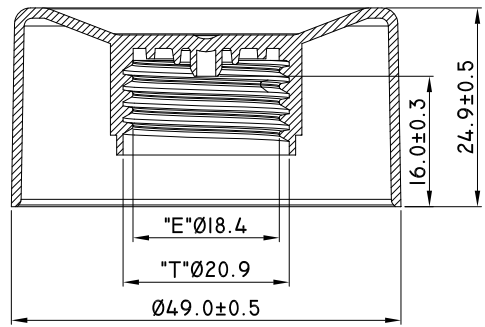
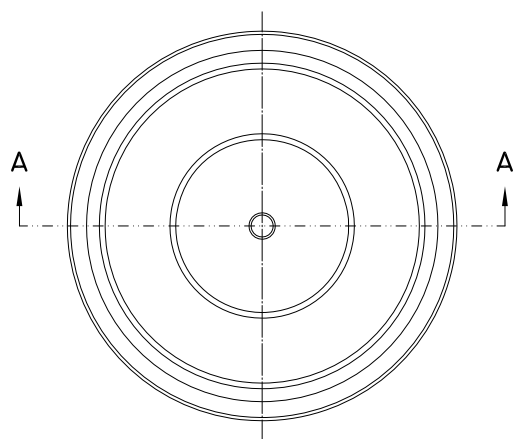
PROPRIETARY AND CONFIDENTIAL

THE INFORMATION CONTAINED IN THIS DRAWING IS THE SOLE PROPERTY OF UDN INTERNATIONAL INC. ANY REPRODUCTION IN PART OR AS A WHOLE WITHOUT THE WRITTEN PERMISSION OF UDN INTERNATIONAL INC. IS PROHIBITED.

Designed	QMX	Date	2019/06/13	Drawing Name:	PT2020018			
Checked	BECK	Date	2019/06/13	Product Name	ASSEMBLY			
Approved		Date		Drawing/File No.				
GENERAL TOLERANCES				Scale	1 : 1	Material	SEE BOM	
X.X ±0.2				Unit	mm	View		
X.XX ±0.15				Don't Scale Drawing				
ANGULAR X.X ±0.5'								



ITEM	DESCRIPTION OF REVISION	REVISED BY	DATE
⚠			



SECTION A-A

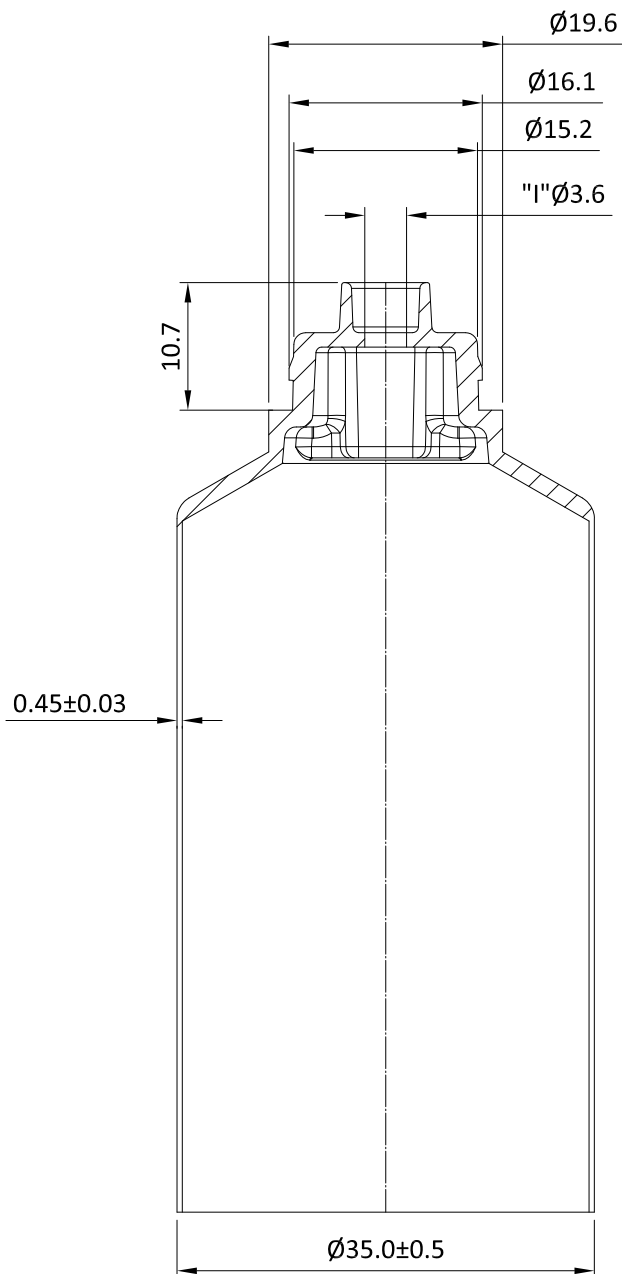
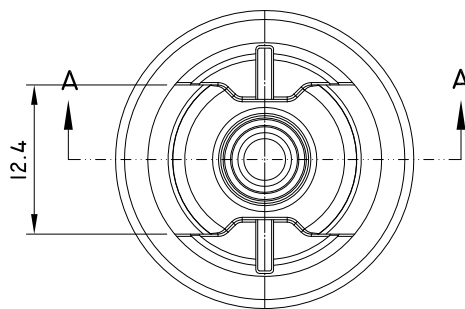
PROPRIETARY AND CONFIDENTIAL

THE INFORMATION CONTAINED IN THIS DRAWING IS THE SOLE PROPERTY OF UDN INTERNATIONAL INC. ANY REPRODUCTION IN PART OR AS A WHOLE WITHOUT THE WRITTEN PERMISSION OF UDN INTERNATIONAL INC. IS PROHIBITED.

Designed QMX	Date 2019/06/13	Drawing Name:	PT2020018		
Checked BECK	Date 2019/06/13	Product Name	CAP		
Approved	Date	Drawing/File No.			
GENERAL TOLERANCES X.X ±0.2 X.XX ±0.15 ANGULAR X.X ±0.5°		Scale	1 : 1	Material	PP
		Unit	mm	View	
Don't Scale Drawing					



ITEM	DESCRIPTION OF REVISION	REVISED BY	DATE
⚠			

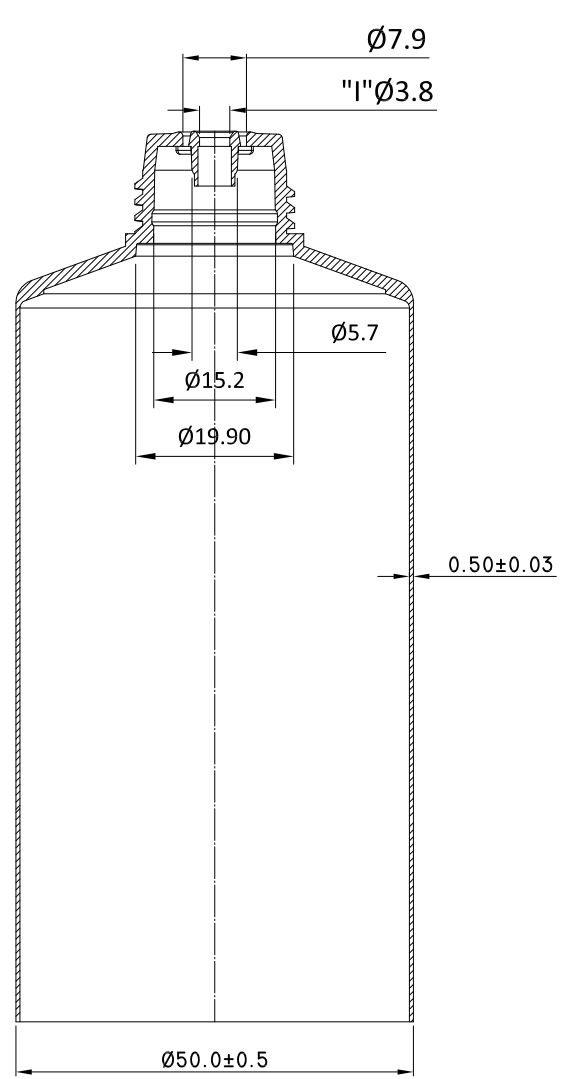
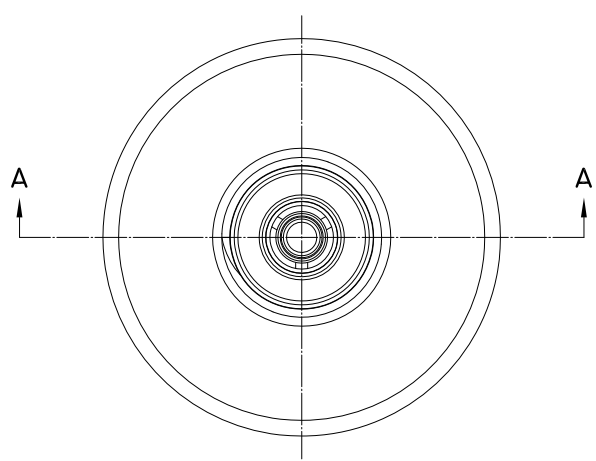


SECTION A-A

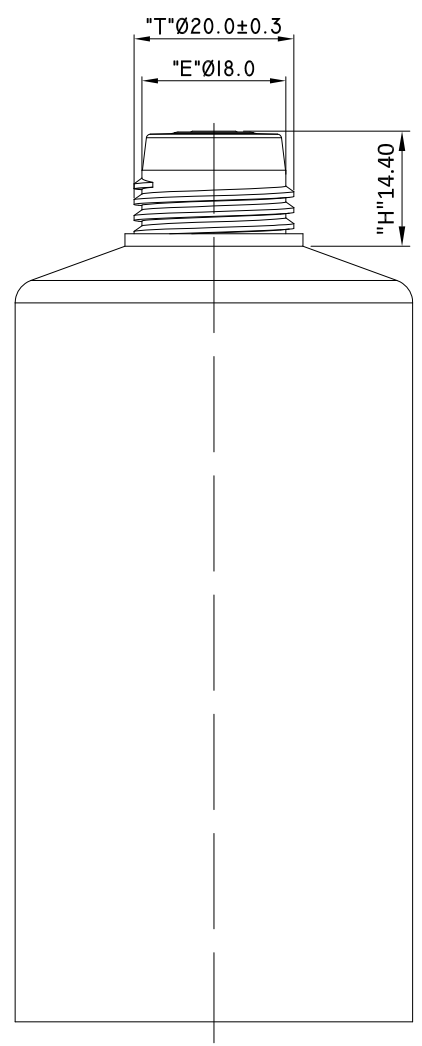
<p>PROPRIETARY AND CONFIDENTIAL</p> <p>THE INFORMATION CONTAINED IN THIS DRAWING IS THE SOLE PROPERTY OF UDN INTERNATIONAL INC. ANY REPRODUCTION IN PART OR AS A WHOLE WITHOUT THE WRITTEN PERMISSION OF UDN INTERNATIONAL INC. IS PROHIBITED.</p>	Designed QMX	Date 2019/06/13	Drawing Name: PT2020018		
	Checked BECK	Date 2019/06/13	Product Name INNER TUBE		
	Approved	Date	Drawing/File No.		
	GENERAL TOLERANCES		Scale	1.5 : 1	Material PE
	X.X ±0.2 X.XX ±0.15 ANGULAR X.X ±0.5'		Unit	mm	View
Don't Scale Drawing					



ITEM	DESCRIPTION OF REVISION	REVISED BY	DATE
⚠			



SECTION A-A



PROPRIETARY AND CONFIDENTIAL

THE INFORMATION CONTAINED IN THIS DRAWING IS THE SOLE PROPERTY OF UDN INTERNATIONAL INC. ANY REPRODUCTION IN PART OR AS A WHOLE WITHOUT THE WRITTEN PERMISSION OF UDN INTERNATIONAL INC. IS PROHIBITED.

Designed	QMX	Date	2019/06/13
Checked	BECK	Date	2019/06/13
Approved		Date	
GENERAL TOLERANCES			
	X.X ±0.2		
	X.XX ±0.15		
	ANGULAR X.X ±0.5°		

Drawing Name:		PT2020018	
Product Name		OUTER TUBE	
Drawing/File No.			
Scale	1 : 1	Material	PE
Unit	mm	View	
Don't Scale Drawing			

