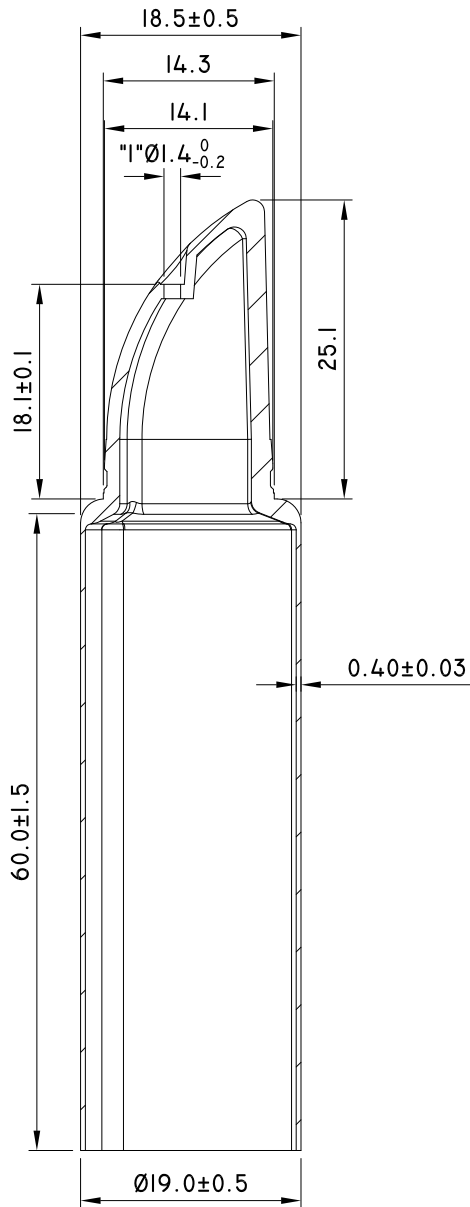
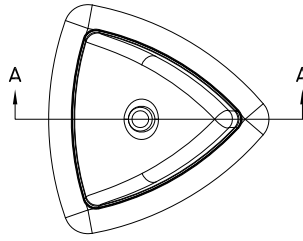


ITEM	DESCRIPTION OF REVISION	REVISED BY	DATE
△			



SECTION A-A

<p>PROPRIETARY AND CONFIDENTIAL</p> <p>THE INFORMATION CONTAINED IN THIS DRAWING IS THE SOLE PROPERTY OF UDN INTERNATIONAL INC. ANY REPRODUCTION IN PART OR AS WHOLE WITHOUT THE WRITTEN PERMISSION OF UDN INTERNATIONAL INC. IS PROHIBITED.</p>	Designed	Date	Drawing Name:		PT2020007	
	Checked	Date	Product Name		TUBE	
	Approved	Date	Drawing/File No.			
	GENERAL TOLERANCES		Scale	1.5 : 1	Material	PE/ABL/PBL
X.X ±0.2		Unit	mm	View		
X.XX ±0.15		Don't Scale Drawing				
ANGULAR X.X ±0.5°						

