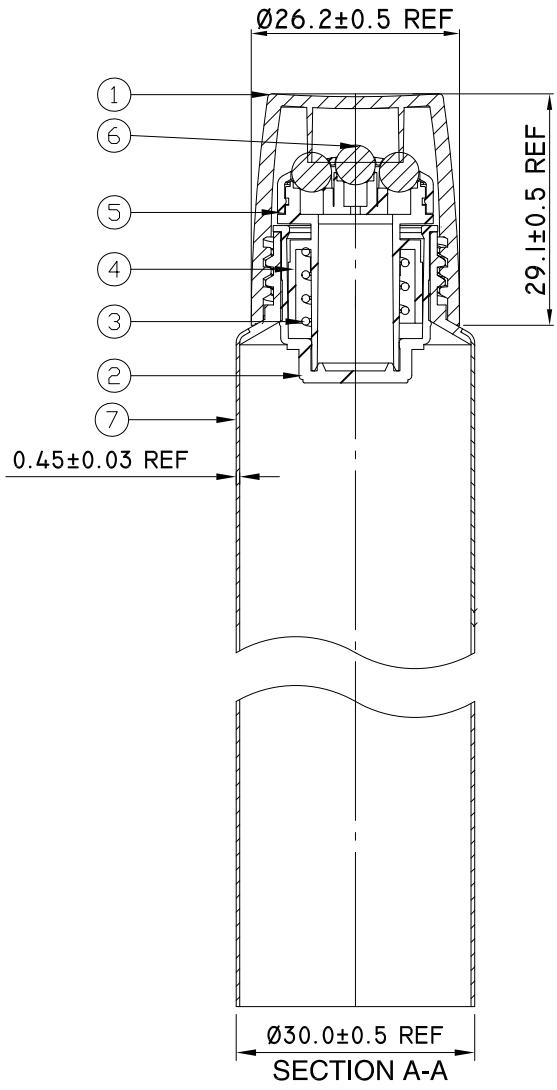
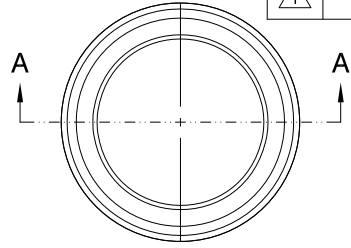


ITEM	DESCRIPTION OF REVISION	REVISED BY	DATE
⚠			

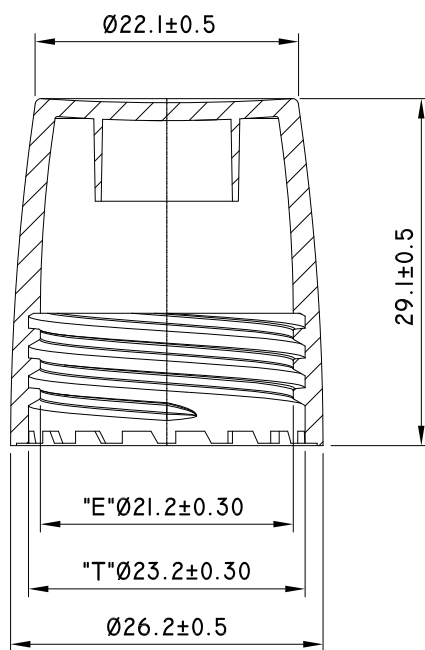
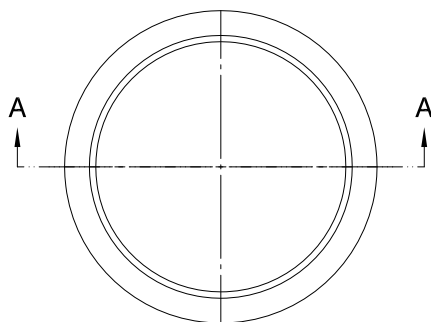


7	TUBE	D30-AT1	PE
6	ROLLER BALL	Q061	SUS
5	COLLAR	BY477	PP
4	HOLDER	BS478	PP
3	SPRING	DT001	SUS
2	VALVE	BS658	PE
1	CAP	Y3269	PP
No	PARTS	PART CODE	MATERIALS

Designed <b>QMX</b>	Date <b>2019/08/23</b>	Drawing Name:	<b>PT2020026</b>		
Checked <b>BECK</b>	Date <b>2019/08/23</b>	Product Name	<b>ASSEMBLY</b>		
Approved	Date	Drawing/File No.			
GENERAL TOLERANCES X.X ±0.2 X.XX ±0.15 ANGULAR X.X ±0.5°		Scale	1 : 1	Material	SEE BOM
		Unit	mm	View	
Don't Scale Drawing					



ITEM	DESCRIPTION OF REVISION	REVISED BY	DATE
△			

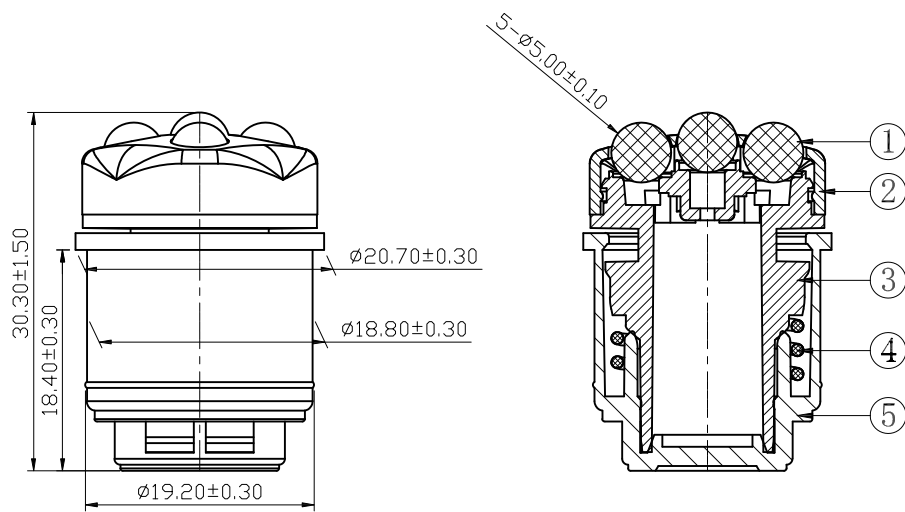


SECTION A-A

Designed <b>QMX</b>	Date <b>2019/08/23</b>	Drawing Name:	<b>PT2020026</b>		
Checked <b>BECK</b>	Date <b>2019/08/23</b>	Product Name	<b>CAP</b>		
Approved	Date	Drawing/File No.			
GENERAL TOLERANCES X.X ±0.2 X.XX ±0.15 ANGULAR X.X ±0.5°		Scale	1.5 : 1	Material	PP
		Unit	mm	View	
Don't Scale Drawing					



ITEM	DESCRIPTION OF REVISION	REVISED BY	DATE
△			

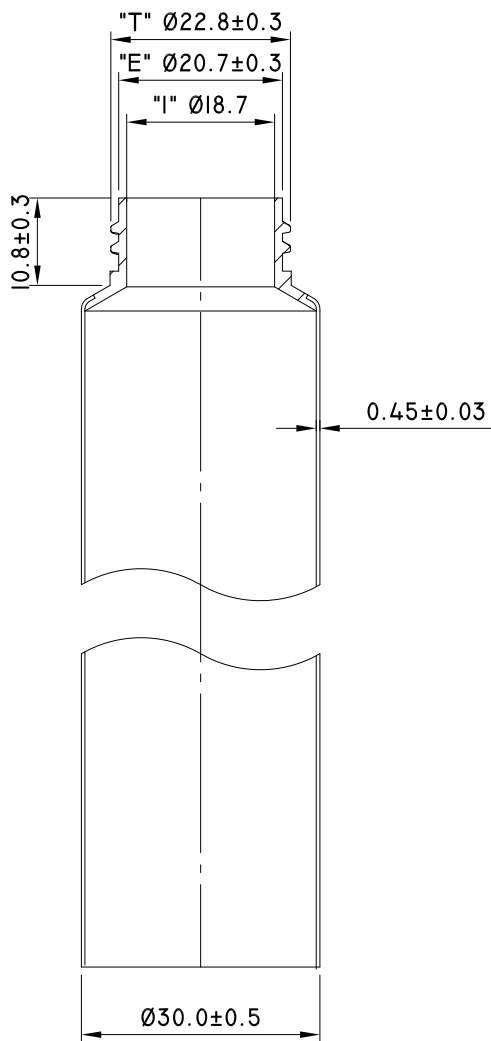
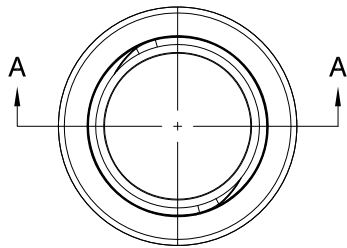


5	VALVE	BS658	PE
4	SPRING	DT001	SUS
3	HOLDER	BS478	PP
2	COLLAR	BY477	PP
1	BEAD	Q061	SUS
No	PARTS	PART CODE	MATERIALS

Designed	Date	Drawing Name:	PT2020026	
QMX	2019/08/23	Product Name	FIVE ROLLER BALLS	
Checked	Date	Drawing/File No.	SEE BOM	
BECK	2019/08/23	Scale	1.5 : 1	Material
Approved	Date	Unit	mm	View
GENERAL TOLERANCES		Don't Scale Drawing		
X.X ±0.2				
X.XX ±0.15				
ANGULAR X.X ±0.5°				



ITEM	DESCRIPTION OF REVISION	REVISED BY	DATE
△			



SECTION A-A

Designed <b>QMX</b>	Date 2019/08/23	Drawing Name:	<b>PT2020026</b>		
Checked <b>BECK</b>	Date 2019/08/23	Product Name	TUBE		
Approved	Date	Drawing/File No.	PE		
GENERAL TOLERANCES X.X ±0.2 X.XX ±0.15 ANGULAR X.X ±0.5°		Scale	1 : 1	Material	
		Unit	mm	View	
Don't Scale Drawing					

