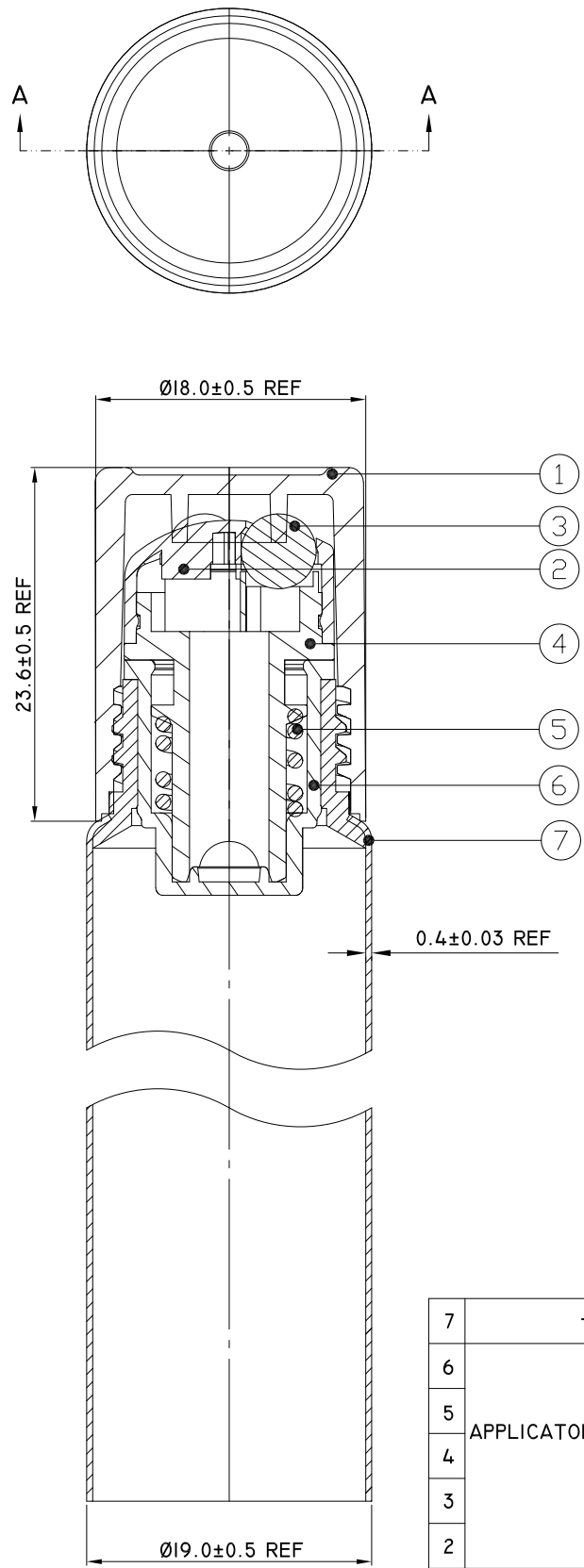


ITEM	DESCRIPTION OF REVISION	REVISED BY	DATE
⚠			



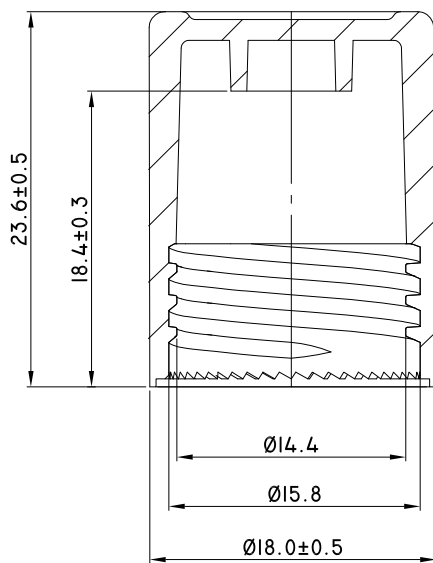
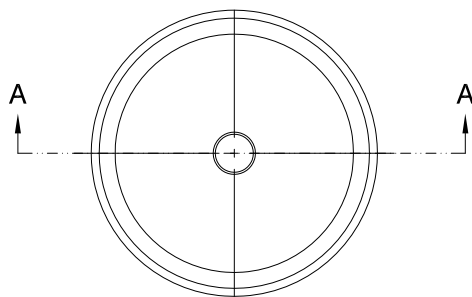
SECTION A-A

7	TUBE	DI9-AT2	PE
6	APPLICATOR	VALVE	PE
5		SPRING	SUS
4		HOLDER	PP
3		BALL	PP
2		COVER	PP
1	CAP	Y0160B	PP
No	PARTS	PART CODE	MATERIALS


Designed	Date	Drawing Name:	PT2020027	
QMX	2020/04/24	Product Name	ASSEMBLY	
Checked	Date	Drawing/File No.		
BECK	2024/04/24	Scale	2 : 1	Material
Approved	Date	Unit	mm	View
GENERAL TOLERANCES		SEE BOM		
X.X ±0.2		Don't Scale Drawing		
X.XX ±0.15				
ANGULAR X.X ±0.5°				



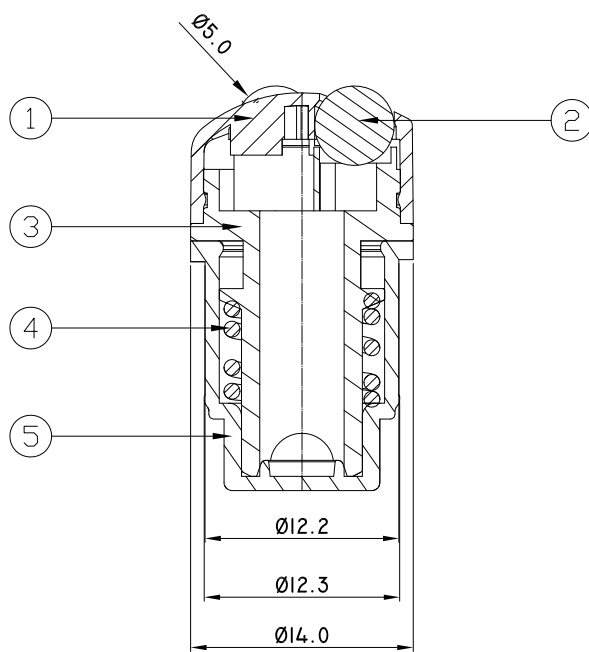
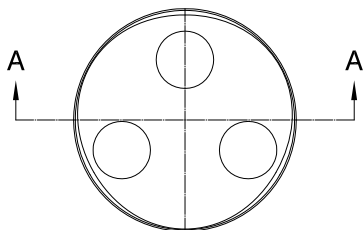
ITEM	DESCRIPTION OF REVISION	REVISED BY	DATE
△			



SECTION A-A


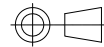
Designed QMX	Date 2020/04/24	Drawing Name:	PT2020027	
Checked BECK	Date 2024/04/24	Product Name	CAP	
Approved	Date	Drawing/File No.		
GENERAL TOLERANCES		Scale	2 : 1	Material
X.X ±0.2		Unit	mm	View
X.XX ±0.15		Don't Scale Drawing		
ANGULAR X.X ±0.5°				
				

ITEM	DESCRIPTION OF REVISION	REVISED BY	DATE
⚠			

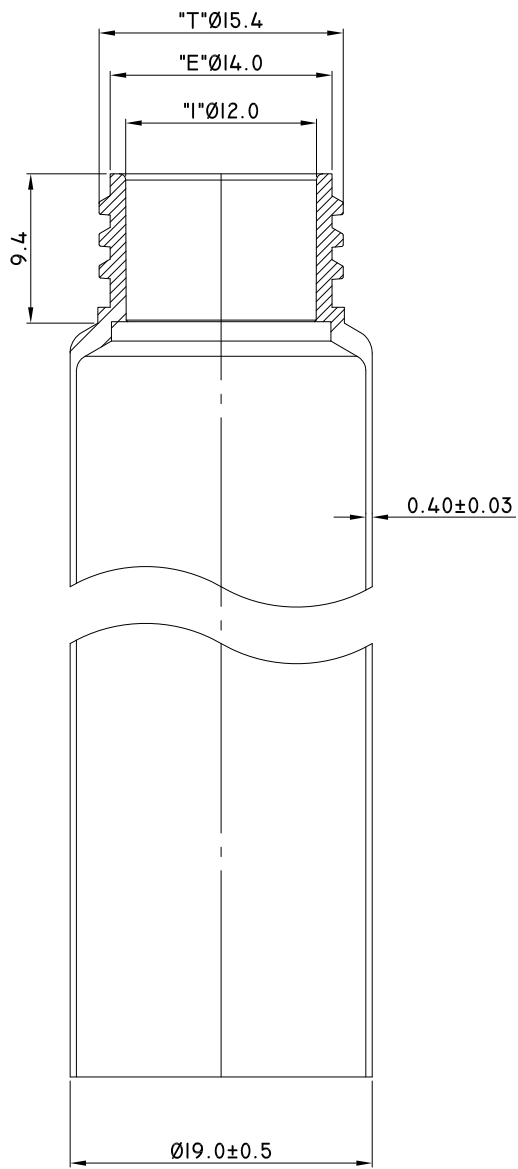
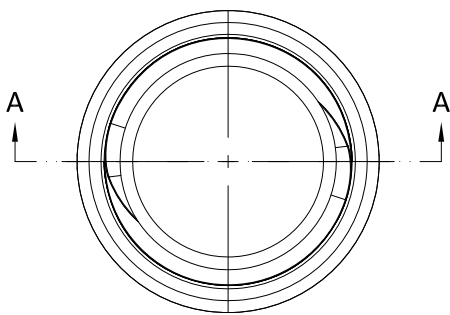


SECTION A-A

5	VALVE	PE
4	SPRING	SUS
3	HOLDER	PP
2	BALL	PP
1	COVER	PP
No	PARTS	MATERIALS

	Designed QMX	Date 2020/04/24	Drawing Name: PT2020027		
	Checked BECK	Date 2024/04/24	Product Name APPLICATOR		
	Approved	Date	Drawing/File No.		
	GENERAL TOLERANCES		Scale	2 : 1	
	X.X ±0.2			Unit	mm
	X.XX ±0.15			View	
	ANGULAR X.X ±0.5°	Don't Scale Drawing			

ITEM	DESCRIPTION OF REVISION	REVISED BY	DATE
⚠			



SECTION A-A

Designed QMX	Date 2020/04/24	Drawing Name:	PT2020027		
Checked BECK	Date 2024/04/24	Product Name	TUBE		
Approved	Date	Drawing/File No.			
GENERAL TOLERANCES X.X ±0.2 X.XX ±0.15 ANGULAR X.X ±0.5°		Scale	2 : 1	Material	PE
		Unit	mm	View	
Don't Scale Drawing					

