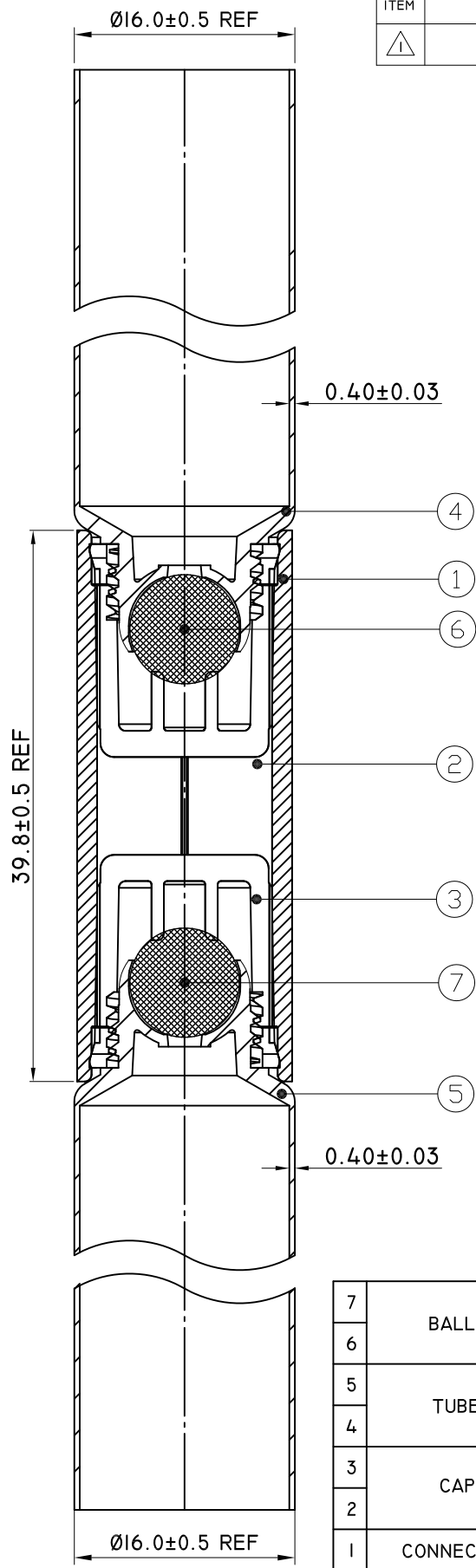


ITEM	DESCRIPTION OF REVISION	REVISED BY	DATE
⚠			



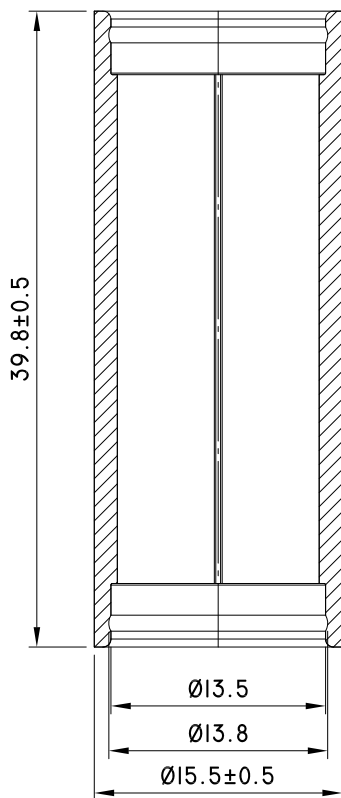
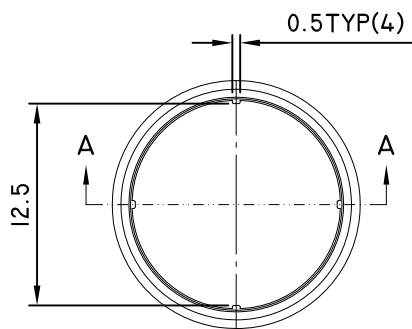
7	BALL	D5/16"	SUS
6			
5	TUBE	D16-QQ2	PE
4			
3	CAP	D16-T66UD	PP
2			
1	CONNECTOR	D16-CN01UD-01	PP
No	PARTS	PART CODE	MATERIALS

SECTION A-A


Designed HSH	Date 2018/05/16	Drawing Name:	PT2020030	
Checked BECK	Date 2018/05/16	Product Name	ASSEMBLY	
Approved	Date	Drawing/File No.		
GENERAL TOLERANCES		Scale	2 : 1	Material
X.X ±0.2		Unit	mm	View
X.XX ±0.15		Don't Scale Drawing		
ANGULAR X.X ±0.5°				



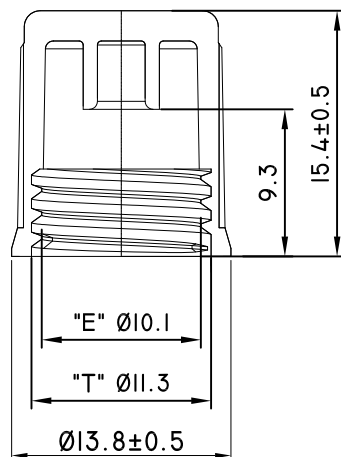
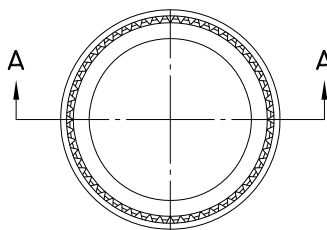
ITEM	DESCRIPTION OF REVISION	REVISED BY	DATE
△			



SECTION A-A

Designed HSH	Date 2018/05/16	Drawing Name:	PT2020030	
Checked BECK	Date 2018/05/16	Product Name	CONNECTOR	
Approved	Date	Drawing/File No.		
GENERAL TOLERANCES		Scale	2 : 1	Material
X.X ±0.2		Unit	mm	View
X.XX ±0.15		Don't Scale Drawing		
ANGULAR X.X ±0.5°				
				

ITEM	DESCRIPTION OF REVISION	REVISED BY	DATE
△			

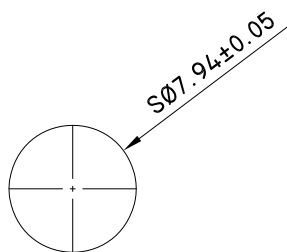


SECTION A-A

Designed HSH	Date 2018/05/16	Drawing Name:	PT2020030		
Checked BECK	Date 2018/05/16	Product Name	CAP		
Approved	Date	Drawing/File No.			
GENERAL TOLERANCES X.X ±0.2 X.XX ±0.15 ANGULAR X.X ±0.5°		Scale	2 : 1	Material	PP
		Unit	mm	View	
Don't Scale Drawing					



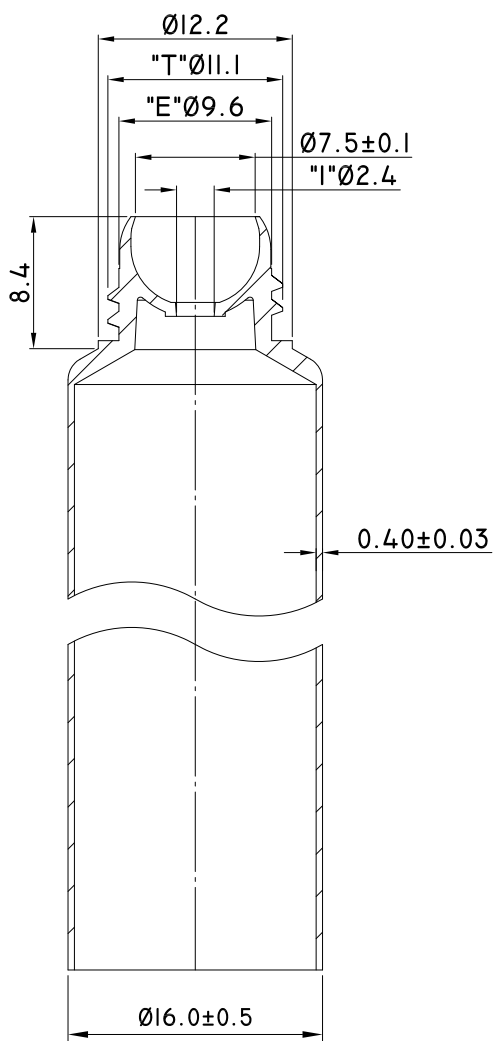
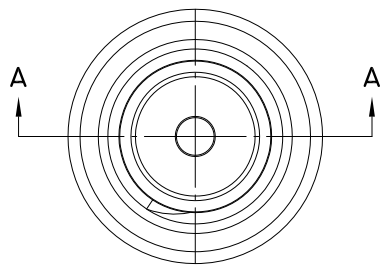
ITEM	DESCRIPTION OF REVISION	REVISED BY	DATE
△			



	Designed HSH	Date 2018/05/16	Drawing Name:		PT2020030	
	Checked BECK	Date 2018/05/16	Product Name		BALL	
	Approved	Date	Drawing/File No.			
GENERAL TOLERANCES			Scale	1 : 1	Material	SUS
X.X ±0.2 X.XX ±0.15 ANGULAR X.X ±0.5°			Unit	mm	View	
Don't Scale Drawing						



ITEM	DESCRIPTION OF REVISION	REVISED BY	DATE
△			



SECTION A-A

Designed HSH	Date 2018/05/16	Drawing Name:	PT2020030		
Checked BECK	Date 2018/05/16	Product Name	TUBE		
Approved	Date	Drawing/File No.			
GENERAL TOLERANCES X.X ±0.2 X.XX ±0.15 ANGULAR X.X ±0.5°		Scale	2 : 1	Material	PE
		Unit	mm	View	
Don't Scale Drawing					

