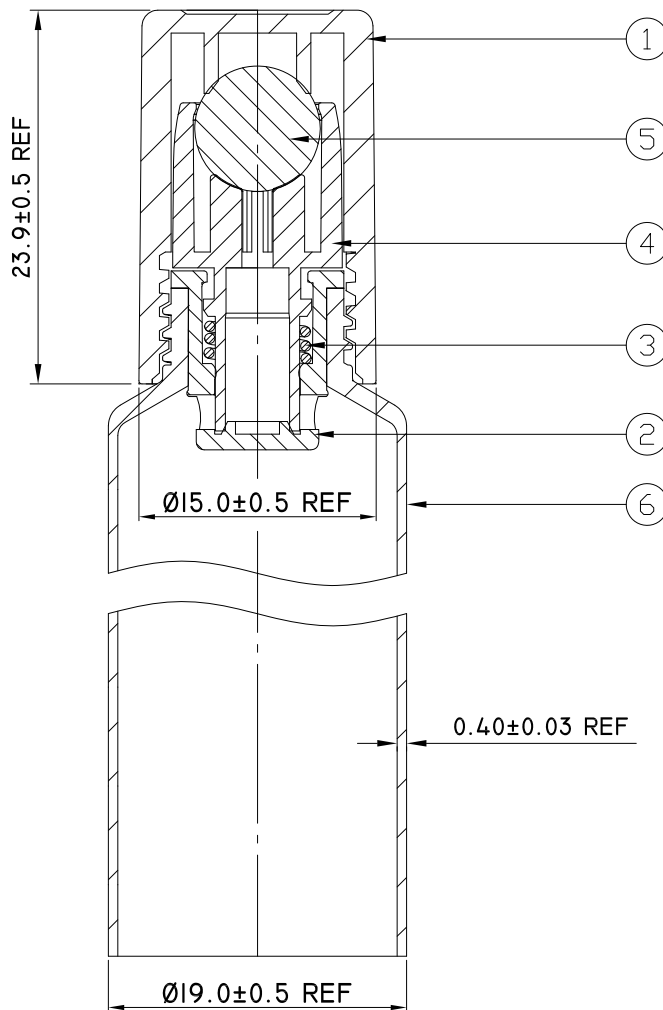
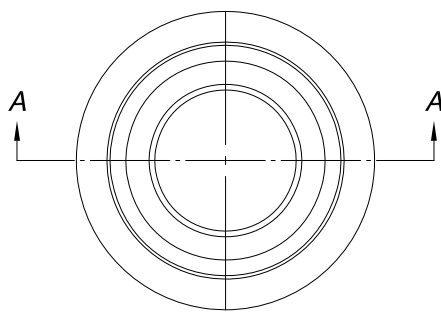


ITEM	DESCRIPTION OF REVISION	REVISED BY	DATE
⚠			



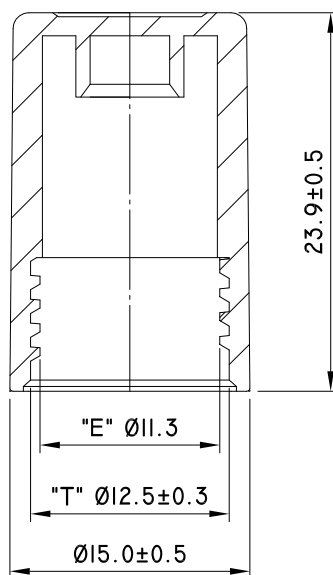
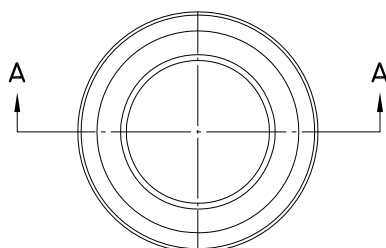
SECTION A-A

6	TUBE	DI9-ATI	PE
5	BALL	Q060	SUS316
4	HOLDER		PP
3	SPRING		SUS
2	VALVE		PE
1	CAP	Y3213	PP
No	PARTS	PART CODE	MATERIALS

Designed QMX	Date 2020/04/24	Drawing Name:	PT2020024	
Checked BECK	Date 2020/04/24	Product Name	ASSEMBLY	
Approved	Date	Drawing/File No.		
GENERAL TOLERANCES		Scale	2 : 1	Material
X.X ±0.2		Unit	mm	View
X.XX ±0.15		Don't Scale Drawing		
ANGULAR X.X ±0.5°				



ITEM	DESCRIPTION OF REVISION	REVISED BY	DATE
△			

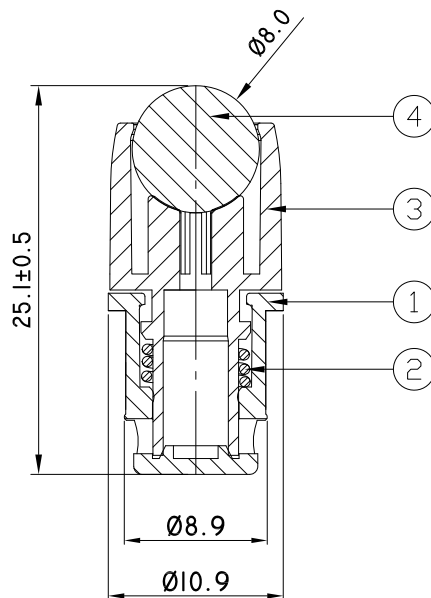
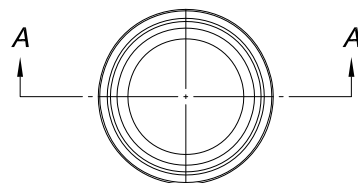


SECTION A-A

Designed QMX	Date 2019/07/19	Drawing Name:	PT2020024		
Checked BECK	Date 2019/07/19	Product Name	CAP		
Approved	Date	Drawing/File No.			
GENERAL TOLERANCES		Scale	2 : 1	Material	PP
X.X ±0.2		Unit	mm	View	
X.XX ±0.15		Don't Scale Drawing			
ANGULAR X.X ±0.5°					



ITEM	DESCRIPTION OF REVISION	REVISED BY	DATE
⚠			



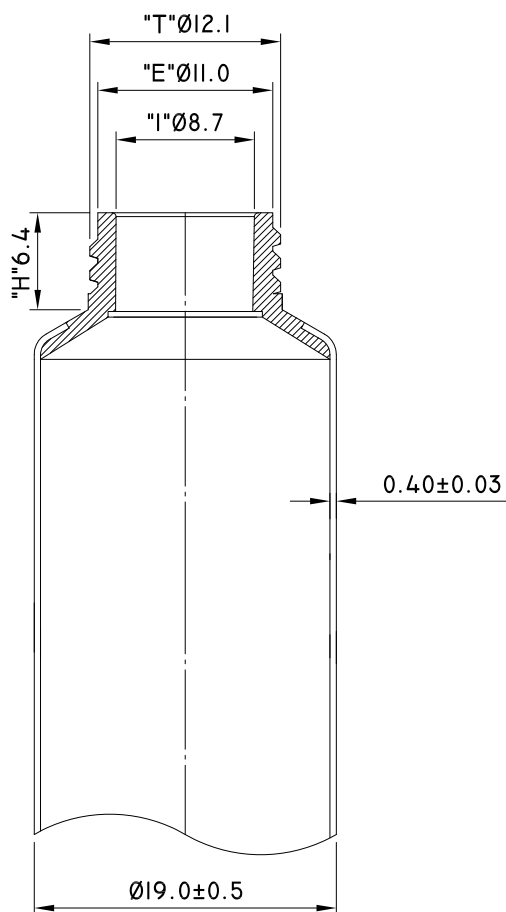
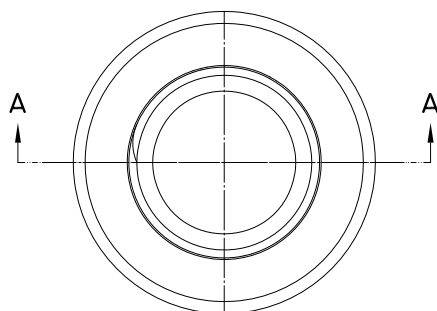
SECTION A-A

4	BALL	Q060	SUS316
3	HOLDER		PP
2	SPRING		SUS
1	VALVE		PE
No	PARTS	PART CODE	MATERIALS

Designed QMX	Date 2019/10/18	Drawing Name:	PT2020024		
Checked BECK	Date 2019/10/18	Product Name	ROLLING BALL		
Approved	Date	Drawing/File No.			
GENERAL TOLERANCES		Scale	2 : 1	Material	SEE BOM
X.X ±0.2		Unit	mm	View	
X.XX ±0.15		Don't Scale Drawing			
ANGULAR X.X ±0.5°					



ITEM	DESCRIPTION OF REVISION	REVISED BY	DATE
△			



SECTION A-A

Designed QMX	Date 2020/04/24	Drawing Name:	PT2020024		
Checked BECK	Date 2020/04/24	Product Name	TUBE		
Approved	Date	Drawing/File No.			
GENERAL TOLERANCES X.X ±0.2 X.XX ±0.15 ANGULAR X.X ±0.5°		Scale	2 : 1	Material	PE
		Unit	mm	View	
Don't Scale Drawing					

