

Inline Production System for 3D Parts

3D COATING

Green Metallizing Inline Production System for Sustainable Coating of 3D Parts

The different spray coating modules and the vacuum sputtering module of the DECOLINE II are interlinked by an innovative flexible inline concept. The DECOLINE II distinguishes itself from the traditional batch processes and satisfies with its inline concept all the prerequisites to revolutionize the existing production of 3-dimensional parts. By using high-quality coatings the decorative and functional properties of the coatings are significantly improved.



Green Metallizing



Chrome (VI)-free



Cost Effective



Reliable Process



Sustainable Process

Sustainable Inline Coating of 3-Dimensional Parts for Cosmetics



POLYCOATER 68

The POLYCOATER is an inline vacuum sputtering production system for the fully automatic coating of 3-dimensional plastic parts.

Production cycle time: down to 6 seconds per carrier

1 Substrate per carrier: 480 x 130 x 68 mm

6 Substrates per carrier: Ø 68 x 130 mm

9 Substrates per carrier: Ø 32 x 130 mm

18 Substrates per carrier: Ø 22 x 130 mm

SUBSTRATE SIZES

Diameter: 68 mm

Height max.: 130 mm

POLYCOATER 90

The POLYCOATER is an inline vacuum sputtering production system for the fully automatic coating of 3-dimensional plastic parts.

Production cycle time: down to 10 seconds per carrier

1 Substrate per carrier: 480 x 130 x 90 mm

4 Substrate per carrier: Ø 90 x 130 mm

6 Substrates per carrier: Ø 68 x 130 mm

9 Substrates per carrier: Ø 32 x 130 mm

18 Substrates per carrier: Ø 22 x 130 mm

SUBSTRATE SIZES

Diameter: 90 mm

Height max.: 130 mm

DECOLINE II Compact

DECOLINE II Compact for medium volume production automates the production process while considerably reducing costs, logistical efforts as well as the personnel intensity and therefore yields a return on investment in a very short period of time. For quantities up to 4,800 p/h*.

Metallizer yield : > 95 %

Breakage: < 0.2 %*

Uptime: > 95 %*

Length: approx. 4.0 m

Width: approx. 4.0 m

Height: approx. 3.8 m

* depending on process

DECOLINE II

DECOLINE II for high volume production automates the production process while considerably reducing costs, logistical efforts as well as the personnel intensity and therefore yields a return on investment in a very short period of time. DECOLINE II automates the production process offering a throughput of up to 10,800 p/h*.

Metallizer yield : > 95 %

Breakage: < 0.2 %*

Uptime: > 95 %*

Length: approx. 18.0 m

Width: approx. 11.0 m

Height: approx. 3.8 m

* depending on process

HEADQUARTERS

SINGULUS TECHNOLOGIES AG
Hanauer Landstrasse 103
63796 Kahl, Germany
Tel. +49 6188 440-0
Fax +49 6188 440-1130
sales@singulus.de
www.singulus.de

PRODUCTION SITE FOR WET PROCESSING SYSTEMS

SINGULUS TECHNOLOGIES AG
Branch Office Fuerstenfeldbruck
Fraunhoferstr. 9
82256 Fuerstenfeldbruck, Germany
Tel. +49 8141 3600-0
Fax +49 8141 3600-2100
sales@singulus.de

SUBSIDIARIES

China
SINGULUS TECHNOLOGIES CHINA
Room B412-413,
No. 1400 Jiangchang Road,
Jingan District, Shanghai, China
Zip Code: 200072
Tel. +86 13916990710

France
SINGULUS TECHNOLOGIES
FRANCE S.A.R.L.
Tel. +33 3 893111-29
singulus@club-internet.fr

Latin America
SINGULUS TECHNOLOGIES
LATIN AMERICA LTDA.
Tel. +55 1121 6524-10
sales@singulus.com.br

Singapore
SINGULUS TECHNOLOGIES
ASIA PACIFIC PTE LTD.
Tel. +65 674 119-12
sales@singulus.com.sg

Taiwan
SINGULUS TECHNOLOGIES
TAIWAN LTD.
Tel. +886 2 8692-6996
sales@singulus.com.tw

United States, Mexico and Canada
SINGULUS TECHNOLOGIES INC.
Tel. +1 860 68380-00
neil.brookshire@singulus.com

SINGULUS



3_002 - 9/2020 Studio Krause - Printed in Germany - Technical alterations reserved



Sustainable Coating of 3D Parts for Cosmetics

Reliable Inline Production Systems

SINGULUS



Green Metallizing

Inline Production System for 3D Parts

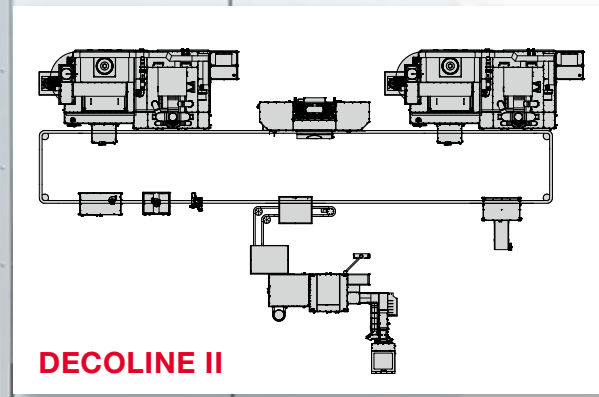
DECOLINE & POLYCOATER



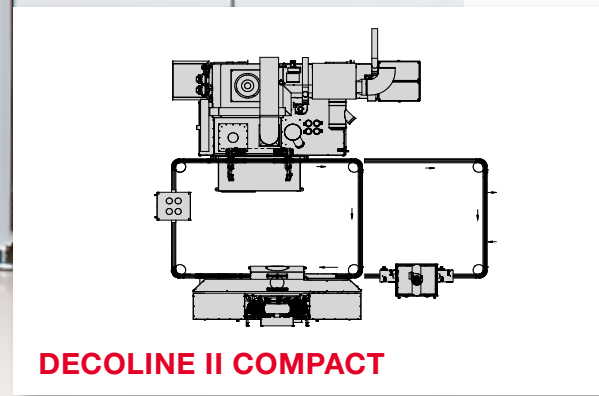
GREEN METALLIZING

Inline Production System for Sustainable Coating of 3D Parts for Cosmetics

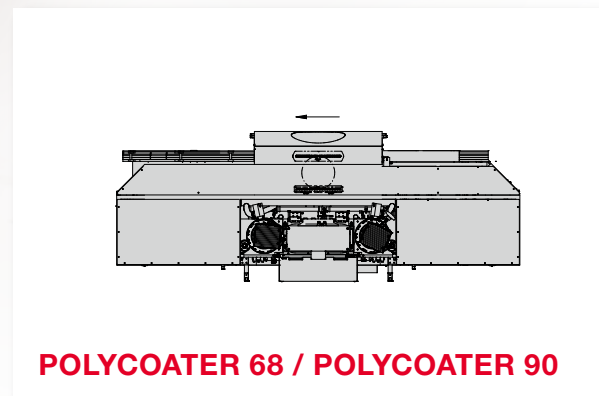
Due to its flexibility the DECOLINE II offers the cosmetics sector the opportunity to finish diverse cosmetic products with a wide range of different colors. Brilliant layers on 3-dimensional parts allowing individual design of the cosmetics lead to a uniqueness of the product. SINGULUS TECHNOLOGIES offers the second generation of inline coating solutions for fully automated handling and coating of 3-dimensional parts. From loading to packaging, the process is fully automated and not one manual step is necessary – at a cycle time of only 0.4 seconds per component. The new DECOLINE II SINGULUS TECHNOLOGIES is able to offer the industry an environmentally friendly process and significant benefits for simplifying their production processes.



DECOLINE II



DECOLINE II COMPACT



POLYCOATER 68 / POLYCOATER 90

Green Metallizing – Inline Production System for Sustainable Coating of 3D Parts for Cosmetics

